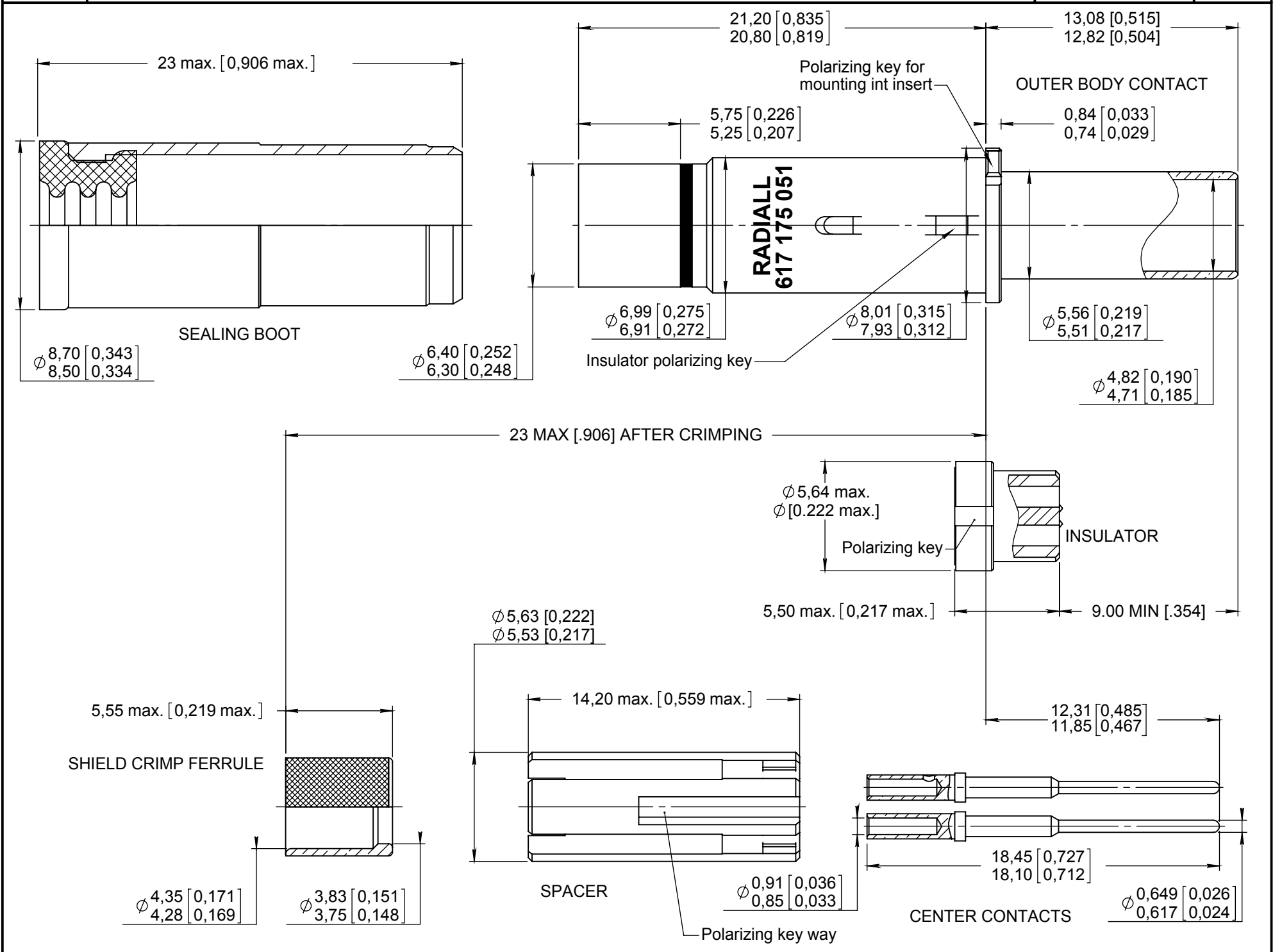


<b>Series</b> EPXB	<b>ENVIRONMENTAL SIZE 8 QUADRAX PIN CONTACT FOR QUADRAX TENSOLITE NF24Q100 AND PIC E51424 CABLES</b>	<b>Issue:</b> Jul. 13, 2018	<b>Page</b> <b>1/1</b>
-----------------------	--	--------------------------------	---------------------------



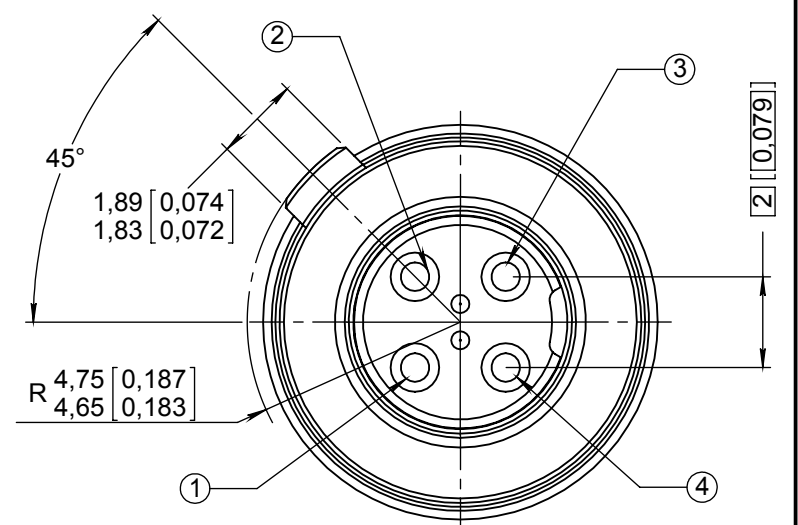
- MATERIAL:**
- OUTER CONTACT : COPPER ALLOY PER ASTM-B-453
  - CENTER CONTACTS : COPPER ALLOY C19160
  - FERRULE : COPPER ALLOY PER ASTM-B-455
  - INSULATOR : PFA PER ASTM-D-3307 OR EQUIVALENT
  - SPACER : THERMOPLASTIC PER ASTM D 5205
  - SEALING BOOT: THERMOPLASTIC PER ASTM-D-4067 AND FLUOROSILICONE PER SAE AMS-R-25988.

- FINISH:**
- ALL METAL PARTS:  
PLATING .00005 INCH OF GOLD PER AMS 2422  
OVER NICKEL PER SAE AMS QQ-N-290

- EXTRACTION TOOL :**
- M81969/28.03 (RADIALL: 282 549 001) or M81969/14-06

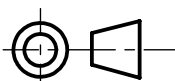
**WIRING INSTRUCTIONS :** See RP57339

### ENGAGING FACE



Estimated weight : 5 g

**DIMENSIONS : mm (inch are given for information only)**



<b>CREATION</b>	Jul. 13, 18	Correction on Spacer dimension: Ø5,53 [0,217] Correction on dimension: 12,31 [0,485]	Lopez C.	Weihls H.
	Dec. 07, 15	Engaging face updated	YON P.	VIEIRA D.
<b>PEN: M040400033A</b>	Sep. 04, 15	Add PIC E51424 cable	PECAULT B.	LEGENDRE T.
	Aug 24, 15	TDS updated : insulator and spacer material modification and spacer and ferrule dimensions corrected	YON P.	VIEIRA D.
<b>NOM: PESSARD M.</b>	Jan 24 <sup>th</sup> , 2008	Tolerance correction	S.MALTY	M.PESSARD
	Apr 12 <sup>th</sup> , 2005	Inch dimensions added on the engaging face	M.PESSARD	L.GARCIA
<b>DATE: May 05<sup>th</sup>, 2004</b>	Mar 16 <sup>th</sup> , 2005	SAE AMS-2422 was 2442.	L.GARCIA	M.PESSARD
<b>APPR.: GARCIA L.</b>	Issue	Revisions	Name	Approved

This document contains proprietary information and such information shall not be disclosed to any third party for any purpose whatsoever or used for manufacturing purposes without prior written agreement from RADIALL. This information is given as an indication. In the continual goal to improve our products, we reserve the right to make any modifications judged necessary.

## X-ON Electronics

Largest Supplier of Electrical and Electronic Components

*Click to view similar products for [Heavy Duty Power Connectors](#) category:*

*Click to view products by [Radiall](#) manufacturer:*

Other Similar products are found below :

[647757-1](#) [6643411-1](#) [6646058-2](#) [6646137-1](#) [6646138-1](#) [6646479-1](#) [6646608-1](#) [6646786-1](#) [6646940-1](#) [6651091-1](#) [6651525-1](#) [6651529-1](#)  
[6651788-1](#) [696475-1](#) [702-32-01109](#) [703-25-02205](#) [73000005059](#) [73000005642](#) [73080255059](#) [73080965046](#) [765-15-0080A](#) [765-16-0080B](#)  
[765-18-0080D](#) [829992-1](#) [902-77-02113](#) [PS00/A0620/6300](#) [PS25/A0420/63](#) [129-1J](#) [1409400](#) [AN0024023](#) [E6374G1](#) [e6389g2](#) [157-43GW8](#)  
[MS3117-14AC](#) [1643543-1](#) [1650540-1](#) [1651811-2](#) [1766260-1](#) [1766282-1](#) [1766966-1](#) [1791340000](#) [NLDFT-3-BL-L-S120-M40A](#) [NLDFT-N-](#)  
[W-L-C240-M40B](#) [NLS-2-R-C240-M40B](#) [NLS-N-W-C240-M40B](#) [NPS-3-BL-T6](#) [1986615-1](#) [2-1589900-8](#) [2199314-1](#) [KA8102](#)