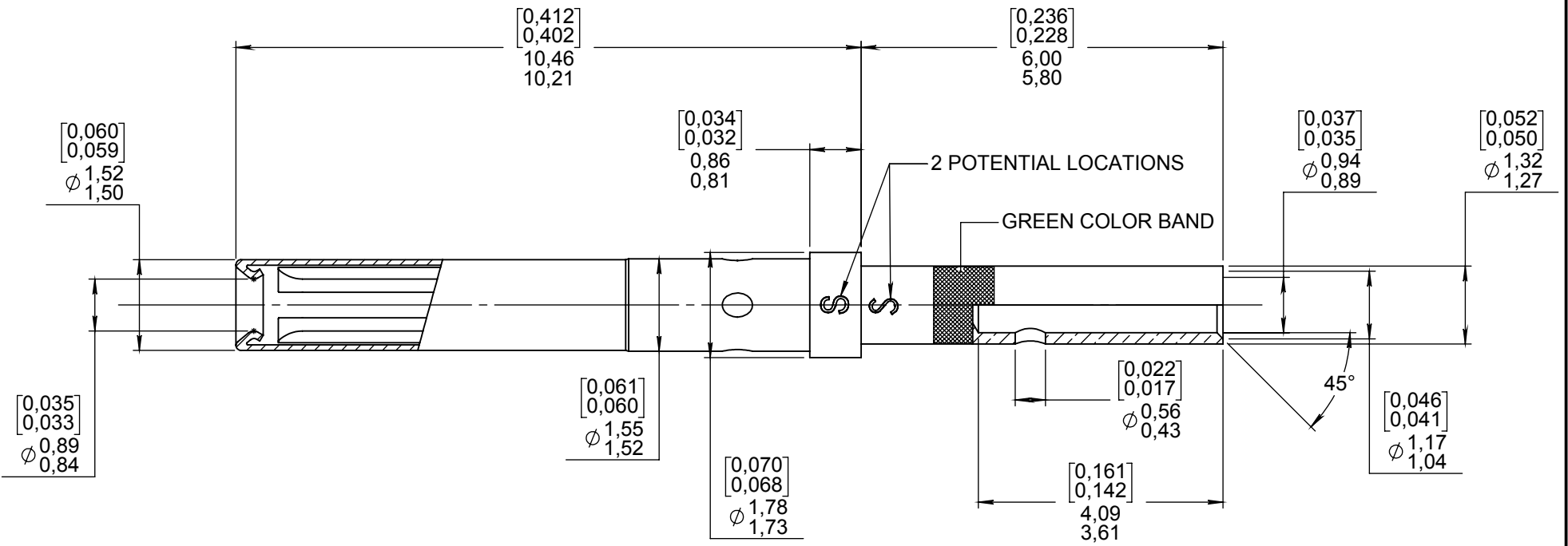


Series
EPX
SIZE 22 REAR RELEASE REAR REMOVABLE CRIMP SOCKET CONTACT
FOR AWG 22, 24 AND 26 CABLES
Issue:
Feb. 12, 2014
Page
1/1

MATERIAL :

- CONTACT BODY : COPPER ALLOY HARDNESS IN KNOOP 120 MAX (107 HV) FOR CRIMP BARREL
200 MIN (184 HV) FOR BEYOND SHOULDER
- PROTECTION SLEEVE : STAINLESS STEEL PER SAE AMS-5514

FINISH :

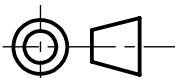
- CONTACT BODY : PLATING .00005 INCH OF GOLD PER SAE AMS-2422 OVER NICKEL PER SAE AMS-QQ-N-290
- PROTECTIVE SLEEVE : PASSIVATED PER SAE AMS-QQ-P-35

WIRING INSTRUCTIONS :

WIRES ACCOMODATED : AWG 22 - 24 and 26
 INSULATION DIAMETER : 1,40 max (.055)
 STRIP LENGTH : 3,50 (.138)

CRIMP CONTACT TENSILE REQUIREMENTS USING MIL SPEC TOOLING AND WIRE SPEC
 M22520/2-01 20 GA. 5.5 daN (11LBS)
 CRIMPED CONTACTS WILL SHOW NO CRACK WHEN INSPECTED PER MIL-C-22520 AT 10X

RADIALL TOOLING RECOMMENDATION
 CRIMPING TOOL : M22520/2-01 (RADIALL P/N : 282 281)
 SELECTOR POSITION : 4 FOR AWG 22
 3 FOR AWG 24
 3 FOR AWG 26
 POSITIONER : M22520/2-23 (RADIALL P/N : 282 970)
 INS/EXT TOOL : M81969/14-01 (RADIALL P/N : 282 522)

DIMENSIONS : mm (inch are given for information only)


Estimated weight : 0,15 g

CREATION				
PEN:				
NOM: MACARI JP.	Feb. 12, 14	Material note updated + estimated weight added.	Montier A.	Legloahec Y.
DATE: NOV. 24, 88	May 12, 11	Contact body material updated Extraction Tool modified : was M81969/1-01 (RADIALL 282 885)	Surault	Legloahec
APPR.:	Feb 26, 07	Dimension modified	Pailot N.	Pessard M
	SEPT 12 06	DIMENSION CONVERSION UPDATED and .061/.060 was .062/.061	DUPUIS	LAHOREAU
	Issue	Revisions	Name	Approved

X-ON Electronics

Largest Supplier of Electrical and Electronic Components

Click to view similar products for [Heavy Duty Power Connectors](#) category:

Click to view products by [Radiall](#) manufacturer:

Other Similar products are found below :

[647757-1](#) [6643411-1](#) [6646058-2](#) [6646137-1](#) [6646138-1](#) [6646479-1](#) [6646608-1](#) [6646786-1](#) [6646940-1](#) [6651091-1](#) [6651525-1](#) [6651529-1](#)
[6651788-1](#) [696475-1](#) [702-32-01109](#) [703-25-02205](#) [73000005059](#) [73000005642](#) [73080255059](#) [73080965046](#) [765-15-0080A](#) [765-16-0080B](#)
[765-18-0080D](#) [829992-1](#) [902-77-02113](#) [PS00/A0620/6300](#) [PS25/A0420/63](#) [129-1J](#) [1409400](#) [AN0024023](#) [E6374G1](#) [e6389g2](#) [157-43GW8](#)
[MS3117-14AC](#) [1643543-1](#) [1650540-1](#) [1651811-2](#) [1766260-1](#) [1766282-1](#) [1766966-1](#) [1791340000](#) [NLDFT-3-BL-L-S120-M40A](#) [NLDFT-N-](#)
[W-L-C240-M40B](#) [NLS-2-R-C240-M40B](#) [NLS-N-W-C240-M40B](#) [NPS-3-BL-T6](#) [1986615-1](#) [2-1589900-8](#) [2199314-1](#) [KA8102](#)