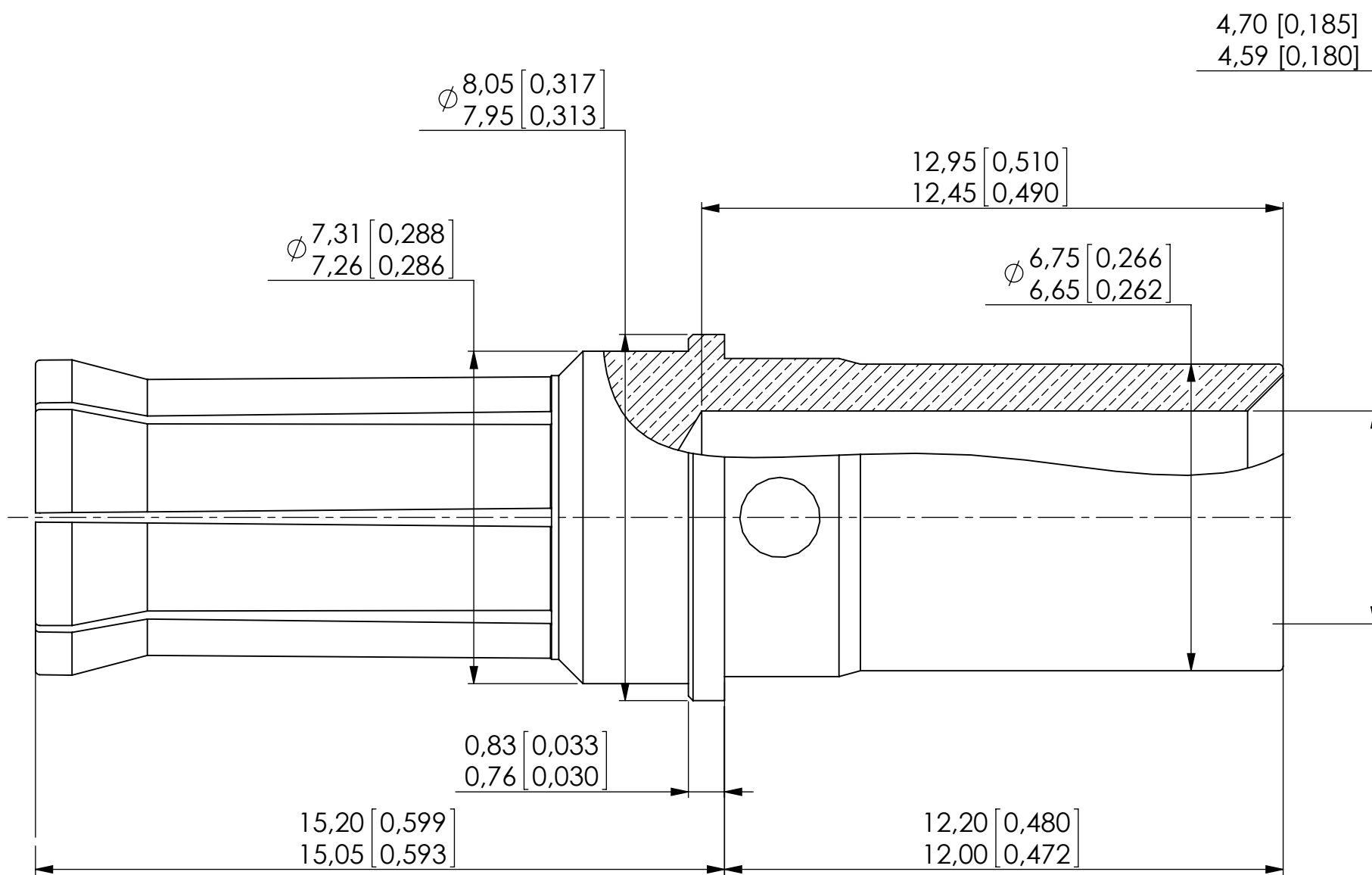


Series
EPXB

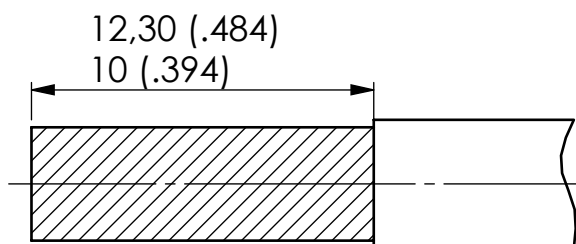
SIZE 8 POWER SOCKET CRIMP CONTACT

Issue:
Jul. 12, 2018

Page
1/1



Cable stripped length:

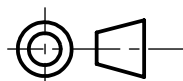


MATERIAL AND FINISH: COPPER ALLOY, GOLD OVER NICKEL.

CRIMPING TOOL : M22520/23-01
 DIE SET : M22520/23-02
 LOCATOR: RADIALL P/N: 282 588
 REMOVABLE TOOL : RADIALL P/N: 282 549 001

Note:
 In order to ensure the SAE AS39029 tensile strength requirements for any wire plating, RADIALL recommend to use MS3348-8-10 bushing when crimped to AWG 10 cable.

DIMENSIONS : mm (inch) -



Estimated weight: 4.5 g

This information is given as an indication. In the continual goal to improve our products, we reserve the right to make any modifications judged necessary.

4112_9311

CREATION				
PEN: M050400090A				
NOM: M.PESSARD	Jul. 12, 18	Dimensions corrected, in accordance with standard EN3155-076	Lopez C.	Weih H.
DATE: July 15, 2005	Oct 20, 14	Note added	YON P.	VIEIRA D.
APPR.: C.LAHOREAU	Mar 01, 06	Add cable stripped length	ARNAULT	M.PESSARD
	Aug 11, 05	Removable tool PN modification	D.HUGER	M.PESSARD
	Issue	Revisions	Name	Approved

X-ON Electronics

Largest Supplier of Electrical and Electronic Components

Click to view similar products for [Heavy Duty Power Connectors](#) category:

Click to view products by [Radiall](#) manufacturer:

Other Similar products are found below :

[647757-1](#) [6643411-1](#) [6646058-2](#) [6646137-1](#) [6646138-1](#) [6646479-1](#) [6646608-1](#) [6646786-1](#) [6646940-1](#) [6651091-1](#) [6651525-1](#) [6651529-1](#)
[6651788-1](#) [696475-1](#) [702-32-01109](#) [703-25-02205](#) [73000005059](#) [73000005642](#) [73080255059](#) [73080965046](#) [765-15-0080A](#) [765-16-0080B](#)
[765-18-0080D](#) [829992-1](#) [902-77-02113](#) [PS00/A0620/6300](#) [PS25/A0420/63](#) [129-1J](#) [1409400](#) [AN0024023](#) [E6374G1](#) [e6389g2](#) [157-43GW8](#)
[MS3117-14AC](#) [1643543-1](#) [1650540-1](#) [1651811-2](#) [1766260-1](#) [1766282-1](#) [1766966-1](#) [1791340000](#) [NLDFT-3-BL-L-S120-M40A](#) [NLDFT-N-](#)
[W-L-C240-M40B](#) [NLS-2-R-C240-M40B](#) [NLS-N-W-C240-M40B](#) [NPS-3-BL-T6](#) [1986615-1](#) [2-1589900-8](#) [2199314-1](#) [KA8102](#)