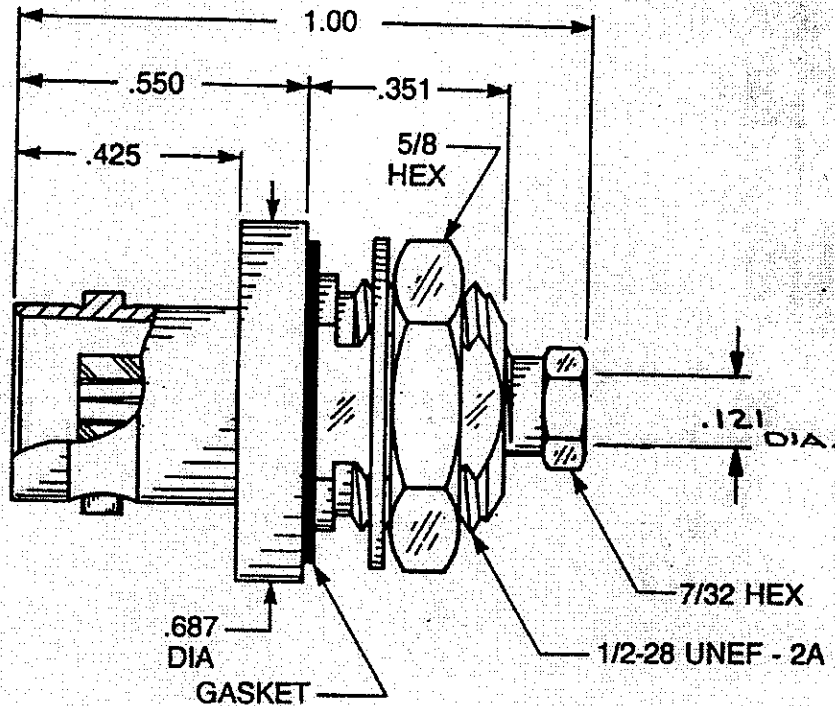


DESIGN SUBJECT TO CHANGE BY A. E. P.



NOTES: CONFORMS TO MIL-C-39012 BNC SERIES

MATERIAL:

1. CONTACT = BERYLLIUM COPPER PER QQ-C-530.
2. INSULATORS = TEFLON TFE PER ASTM-D-1710.
3. GASKET = SILICONE RUBBER PER ZZ-R-765, CLASS 2B, GRADE 65-75.
4. LOCKWASHER = PHOSPHOR BRONZE PER QQ-B-750.
5. ALL OTHER METAL PARTS = BRASS PER QQ-B-626, ALLOY 360 1/2 HARD.

FINISHES:

1. CONTACT = GOLD PLATE PER MIL-G-45204 TYPE II, CLASS I, GRADE C OVER COPPER STRIKE PER MIL-C-14550.
2. ALL OTHER METAL PARTS = NICKEL PLATE PER QQ-N-290, CLASS I, GRADE G EXCEPT OVER COPPER PER MIL-C-14550.

PROPRIETARY INFORMATION
NOT TO BE RELEASED
WITHOUT WRITTEN PERMISSION
FROM AN AUTHORIZED
REPRESENTATIVE OF
APPLIED ENGINEERING PRODUCTS.

BNC BULKHEAD JACK
FRONT MOUNT

FOR USE WITH RG-174, 179,
187, 188, 316, M17/94, 113, 119,
172, 173

APPLIED ENGINEERING PRODUCTS

104 John W. Murphy Drive, P.O. Box 510
New Haven, CT 06513

CODE IDENT.

19505

6502-7051-003

Form 1

X-ON Electronics

Largest Supplier of Electrical and Electronic Components

Click to view similar products for [RF Connectors](#) / [Coaxial Connectors](#) category:

Click to view products by [Radiall](#) manufacturer:

Other Similar products are found below :

[8915-1511-000](#) [89674-0827](#) [6001-7071-019](#) [6002-7051-003](#) [6002-7551-202](#) [6059674-1](#) [619550-1](#) [630059-000](#) [M39030/3-01N](#) [6500-7071-046](#) [6769](#) [CX050L2AQ](#) [7002-1541-010](#) [7002-1542-011](#) [7004-1512-000](#) [7009-1511-004](#) [7010-1511-000](#) [7029-1511-060](#) [7101-1541-010](#) [7101-1571-002](#) [7145-1521-002](#) [7203-1571-003](#) [7209-1511-011](#) [7210-1511-015](#) [7210-1511-019](#) [73137-5015](#) [73216-2241](#) [73404-2300](#) [7405-1521-005](#) [7405-1521-802](#) [8527](#) [8547](#) [FS11V](#) [877931](#) [8808-1511-001](#) [9074-9513-000](#) [9101-9573-002](#) [910A205F](#) [9130-9573-002](#) [PL11SC-026](#) [PL375-33](#) [PL40-5](#) [PL74C-221](#) [PL75MC-217](#) [PL803-7](#) [1200690078](#) [1-201144-1](#) [R107003010W](#) [R110A172100](#) [R112186000](#)