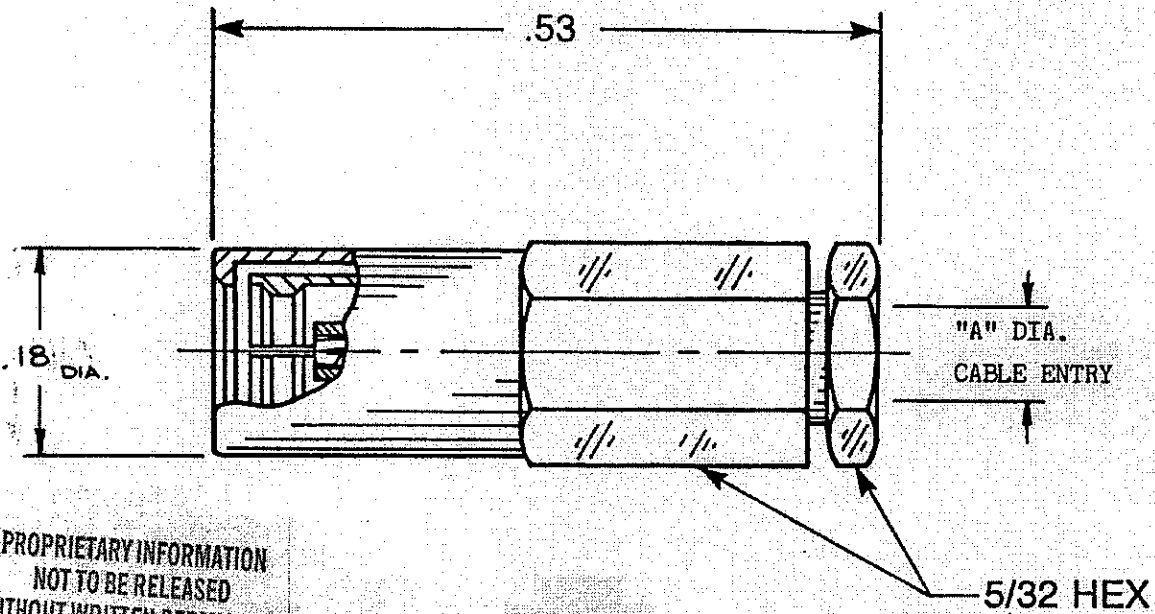


DESIGN SUBJECT TO CHANGE BY A. E. P.



PROPRIETARY INFORMATION
NOT TO BE RELEASED
WITHOUT WRITTEN PERMISSION
FROM AN AUTHORIZED
REPRESENTATIVE OF
APPLIED ENGINEERING PRODUCTS

DASH No.	CABLE DIA.	"A" DIA.
-010	.085	.089
-011	.047	.050
-021	.056	.060

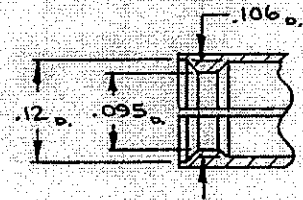
NOTES: CONFORMS TO AEP 7000 SERIES CONNECTORS

MATERIAL:

1. BODY & CONTACT = BERYLLIUM COPPER PER QQ-C-530
2. SLEEVE & BACKNUT - BRASS 1/2 HARD PER QQ-B-626, ALLOY 360
3. INSULATOR = TEFLON VIRGIN WHITE PER ASTM-D1710

FINISH:

1. CONTACT = GOLD PLATE PER MIL-G-45204, TYPE II, CLASS 1, GRADE C OVER COPPER STRIKE PER MIL-C-14550
2. BODY, SLEEVE, & BACKNUT = GOLD PLATE PER MIL-G-45204, TYPE I, CLASS 0, GRADE C OVER COPPER STRIKE PER MIL-C-14550



CONTACT FINGERS
DETAIL

AEP 7000 SERIES

STRAIGHT SOLDER TYPE CABLE PLUG
FOR SEMI-RIGID CABLE

APPLIED ENGINEERING PRODUCTS

CODE IDENT. 19505

7202-1542-0XX

Form 1

X-ON Electronics

Largest Supplier of Electrical and Electronic Components

Click to view similar products for [RF Connectors / Coaxial Connectors](#) category:

Click to view products by [Radiall](#) manufacturer:

Other Similar products are found below :

[8915-1511-000](#) [89674-0827](#) [6001-7071-019](#) [6002-7051-003](#) [6002-7551-202](#) [6059674-1](#) [619550-1](#) [630059-000](#) [M39030/3-01N](#) [6500-7071-046](#) [6769](#) [CX050L2AQ](#) [7002-1541-010](#) [7002-1542-011](#) [7004-1512-000](#) [7009-1511-004](#) [7010-1511-000](#) [7029-1511-060](#) [7101-1541-010](#) [7101-1571-002](#) [7145-1521-002](#) [7203-1571-003](#) [7209-1511-011](#) [7210-1511-015](#) [7210-1511-019](#) [73137-5015](#) [73216-2241](#) [73404-2300](#) [7405-1521-005](#) [7405-1521-802](#) [8527](#) [8547](#) [FS11V](#) [877931](#) [8808-1511-001](#) [9049-9513-000](#) [9074-9513-000](#) [9101-9573-002](#) [910A205F](#) [9130-9573-002](#) [PL11SC-026](#) [PL375-33](#) [PL40-5](#) [PL74C-221](#) [PL75MC-217](#) [PL803-7](#) [980-8666-005](#) [1200690078](#) [1-201144-1](#) [R107003010W](#)