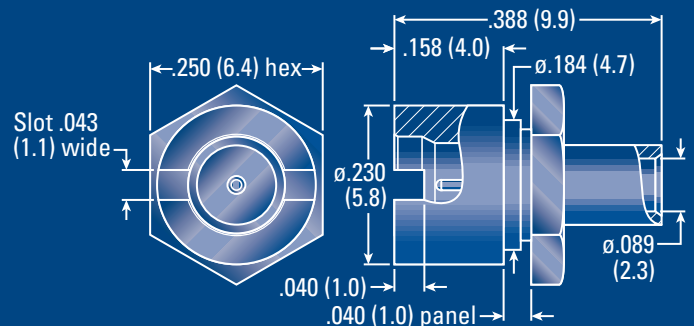
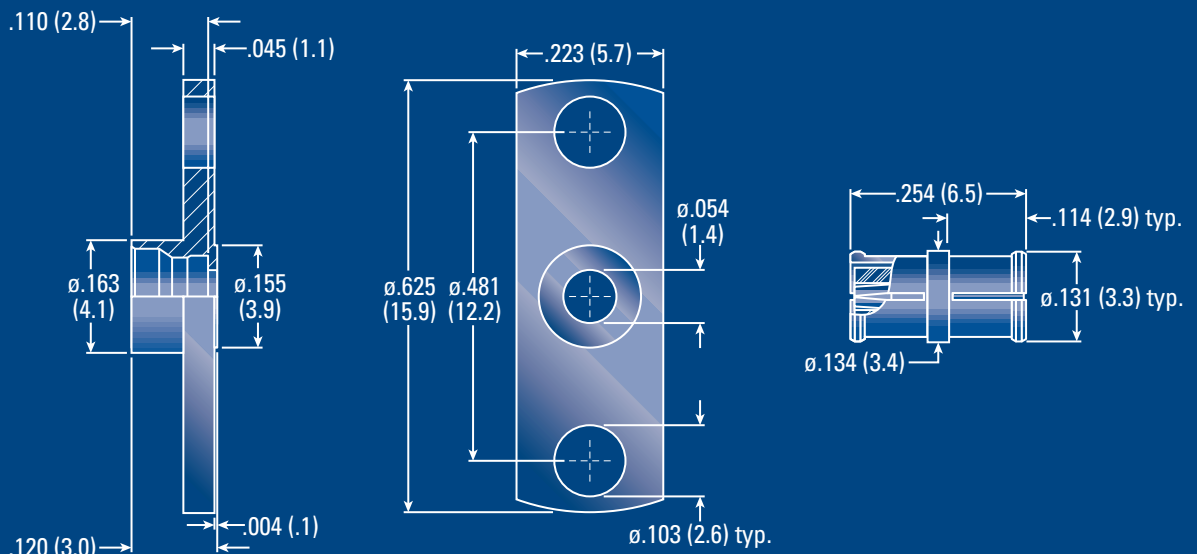
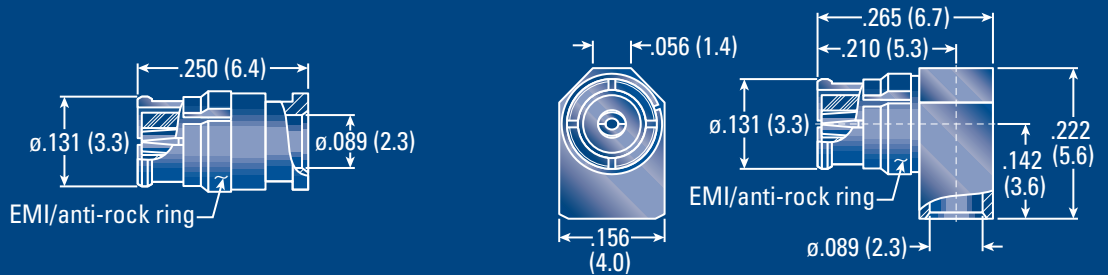


SMP Series Microminiature Coaxial Connectors



APPLIED ENGINEERING PRODUCTS

104 John W. Murphy Drive • P.O. Box 510 • New Haven, CT 06513

(203) 776-2813 • FAX (203) 776-8294

www.aep.us • e-mail: aepsales@aep.us



Contents

Technical Information

Mating Interfaces	3
Specifications	3

Applications

Male Shrouds with Hermetic Seals and Bullet Adapters	4
Male Shrouds with Cable Connectors	4

Products

Male Shrouds, Panel Mounted (Two-Hole Flange)	6
Hermetic Seals	6
Female-to-Female Bullet Adapters	6
Straight Female Cable Connectors	7
Right Angle Female Cable Connectors	7
Female Panel Mounted Cable Connectors (Snap-in)	7
Male Panel Mounted Cable Connectors (Two-Piece)	8

Assembly Procedures

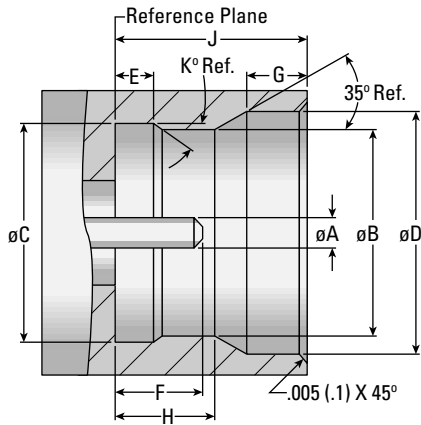
Hermetic Seal Installation	9
---	----------

Indexes

Index by Part Number	10
Competitive Cross-Reference	11

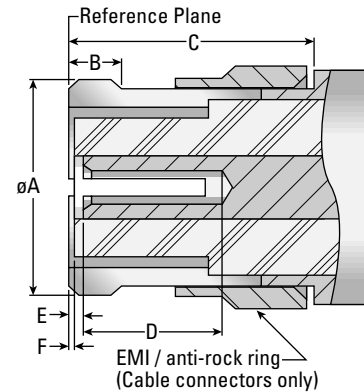


SMP Male Interface Dimensions



Dimension	Full Detent		Limited Detent		Smooth Bore	
	Min.	Max.	Min.	Max.	Min.	Max.
øA	.014	.016	.014	.016	.014	.016
øB	.114	.118	.118	.122	.123	.127
øC	.124	.126	.124	.126	N/A	N/A
øD	.139	.145	.139	.145	.139	.145
E	.0205	.0235	.0205	.0235	N/A	N/A
F	.045	.055	.045	.055	.045	.055
G	.033	.037	.033	.037	.033	.037
H	.051	.057	.054	.060	.059	.065
J	.108	.112	.108	.112	.108	.112
K	28°	32°	28°	32°	N/A	N/A

SMP Female Interface Dimensions



Dimension	Cabled		Uncabled	
	Min.	Max.	Min.	Max.
øA	—	.135	—	.135
B	.025	.035	.018	.025
C	.132	—	.112	—
D	.070	—	.070	—
E	.000	.008	.000	.008
F	.000	.010	.000	.010

SMP Specifications

Materials:

Body Components: Beryllium copper per ASTM B196, Condition HT, or stainless steel per ASTM A582, type 303.
Contacts: Beryllium copper per ASTM B196, Condition HT.
Insulators: Teflon (PTFE) per ASTM D1710.

Finish:

Center contacts: Gold plated per MIL-G-45204, Type II, Class 1, Grade C.
Other metal parts: Gold plated (beryllium copper or stainless steel) or passivated (stainless steel) to meet current MIL-PRF-39012 corrosion requirements.

Electrical:

Impedance: 50Ω.
Frequency range: DC–40 GHz.
Voltage Rating: 335V RMS max. @ sea level; 65 V RMS max. @ 70,000 feet.
Dielectric Withstanding Voltage: 500V RMS min. @ sea level; 125 V RMS min. @ 70,000 feet.
VSWR: DC–23 GHz: 1.10:1 max; 23–26.5 GHz: 1.15:1 max; 26.5–40 GHz: 1.35:1 max.*
Insertion Loss: .10 √F (GHz) (female bullets); .12 √F (GHz) (cable connectors).
Insulation Resistance: 5,000 megohms minimum.
Contact Resistance: Center contact: 6.0 milliohms maximum. Outer contact: 2.0 milliohms maximum.
Corona Level: 190V min. @ 70,000 feet.
RF Highpot: 325V RMS @ 5 MHz.
RF Leakage: -80 dB min. to 3 GHz; -65 dB min. 3 GHz–26.5 GHz.

Mechanical:

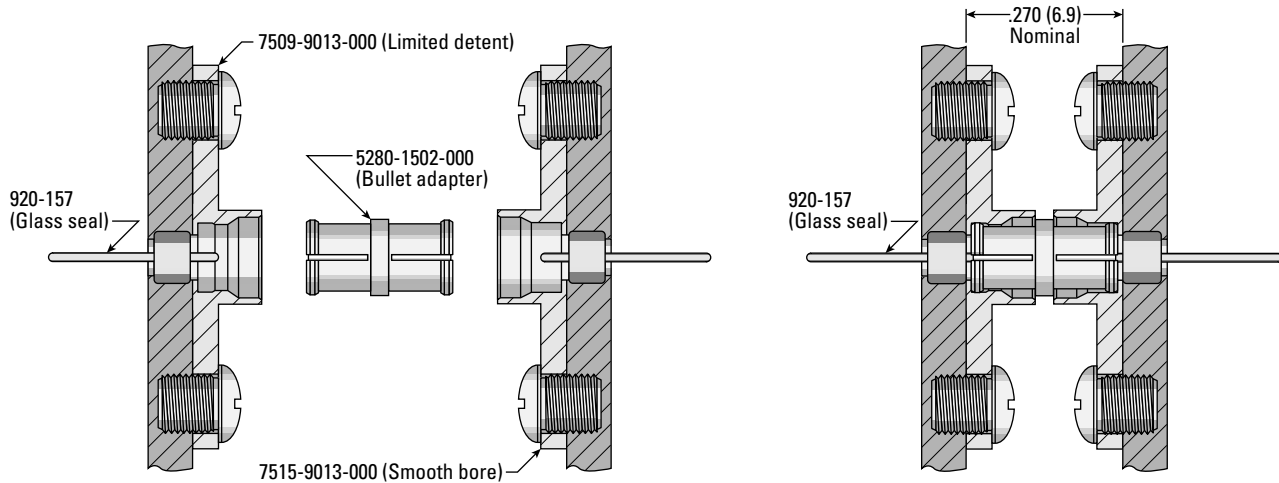
Force to Engage: Full Detent, 15 pounds. Limited Detent, 10 pounds. Smooth Bore, 2 pounds.
Force to Disengage: Full Detent, 5 pounds. Limited Detent, 2 pounds. Smooth Bore, .5 pounds.
Contact Retention: 1.5 pounds min. axial force.
Axial Misalignment: .000 / .010".
Radial Misalignment: .010" centerline to centerline (.020" with special shrouds).
Durability: Full Detent, 100 mating cycles min. Limited Detent, 500 mating cycles min. Smooth Bore, 1,000 mating cycles min.
Environmental (MIL-STD-202):
Temperature Range: -65° C to +165° C.
Vibration: Method 204, condition D.
Mechanical Shock: Method 213, condition I.
Thermal shock: Method 107, condition B.

*VSWR for P/N 5280-1502-000 "bullet" adapter. Performance of other configurations may vary. Contact factory for additional information.

These specifications change periodically with updates to MIL-PRF-39012 requirements. Contact factory for latest specifications.

Panel Mounted Shrouds

With Bullet Adapter



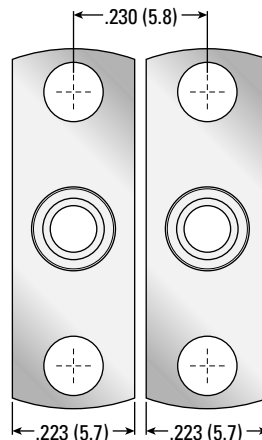
In low-profile, blind-mate applications, flange-mount shrouds are used with “bullet” adapters to provide axial and radial “float” for proper mating.

The bullet adapter mates with the pins of glass-to-metal hermetic seals soldered into the panels.

In these applications, one of the shrouds is typically a “limited detent” type, and the other a “smooth bore” type. This pairing keeps mating and unmating forces to a minimum, and retains the bullet adapter in the “limited detent” shroud when the panels are separated.

The space between panels when mated can be changed by the use of different-length bullet adapters.

Spacing for Mounted Shrouds

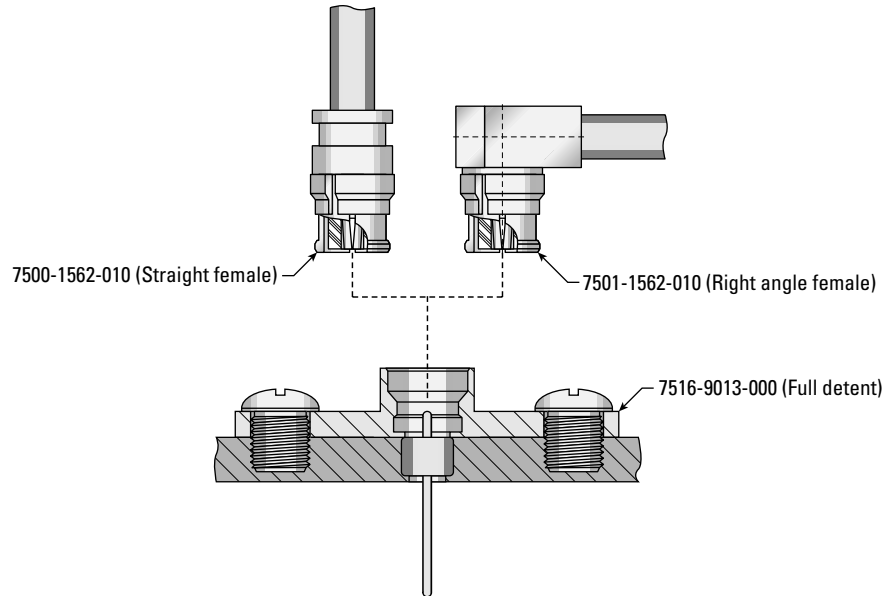


Shrouds may be mounted with centerline spacing as little as .230" for units with .223" wide flanges. Narrower flanges can be provided to allow for spacing as little as .170" (4.3 mm).

See next page for cable connector applications

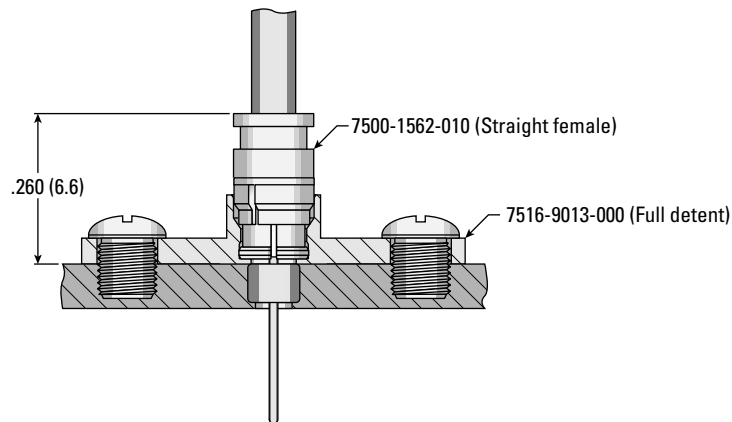
Panel Mounted Shrouds

With Cable Connectors

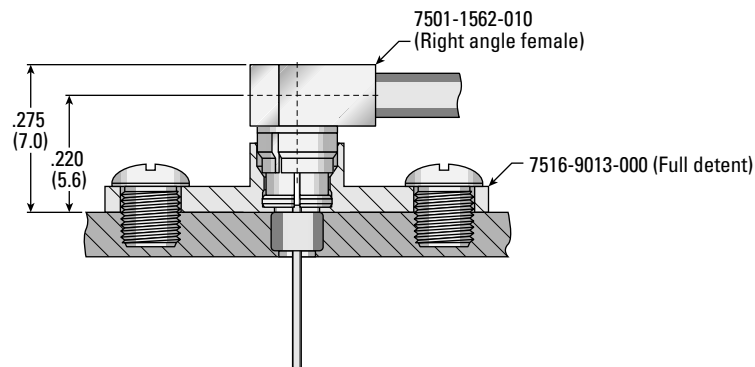


A "full-detent" shroud is used in applications with cable connectors to provide secure mating.

Height above panel for typical straight cable connector



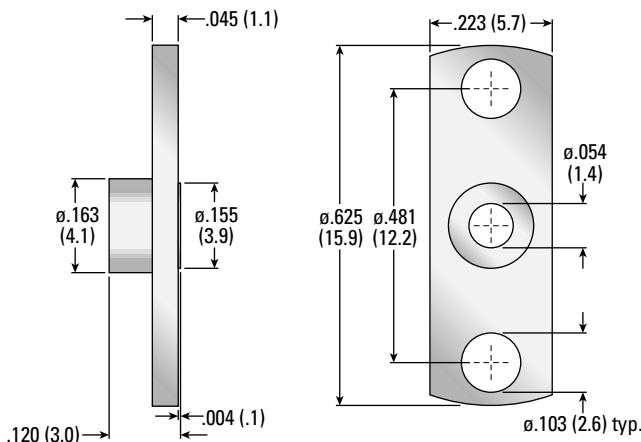
Height above panel for typical right angle cable connector



SMP Shrouds and Adapters



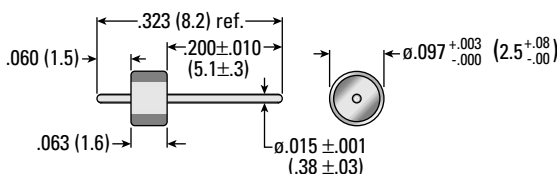
Male Shrouds For Use With Hermetic Seals



Detent Type	AEP P/N
Full Detent	7516-9013-000
Limited Detent	7509-9013-000
Smooth Bore	7515-9013-000

Body material: Stainless steel

Hermetic Seal



AEP P/N
920-157

Materials:

Outer Ring and Pin: Kovar.

Glass Bead: Corning 7070 or equivalent.

Finish:

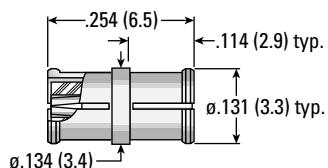
Outer Ring and Pin: Gold plated per MIL-G-45204, type II, Grade C, Class 1, over nickel per MIL-C-26074, Class I, over copper per MIL-C-14550.

Hermeticity:

Leak Rate: Less than 1×10^{-8} cc/second.

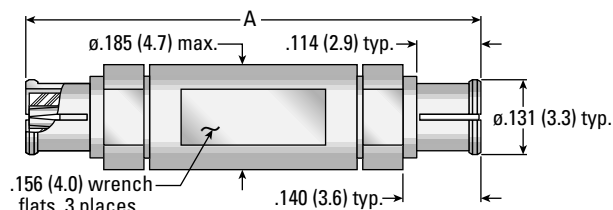
See page 9 for hermetic seal installation instructions.

Female-to-Female Straight Bullet Adapters For Use With Shrouds



AEP P/N
5280-1502-000

Body material: Beryllium copper



A	AEP P/N
.805 (20.4)	5280-1502-001
1.142 (29.0)	5280-1502-002

Body material: Beryllium copper

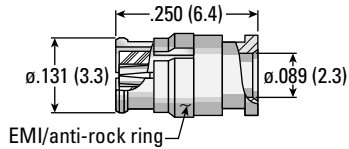


APPLIED ENGINEERING PRODUCTS

(203) 776-2813 • FAX (203) 776-8294 • www.aep.us

Straight Female Cable Connectors (Direct Solder for Semi-Rigid Cable)

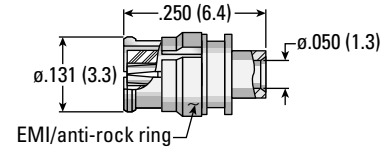
For .086" semi-rigid cable



TYPE	AEP P/N
Standard	7500-1562-010
High Frequency	7500-1262-010

Body material: Beryllium copper

For .047" semi-rigid cable

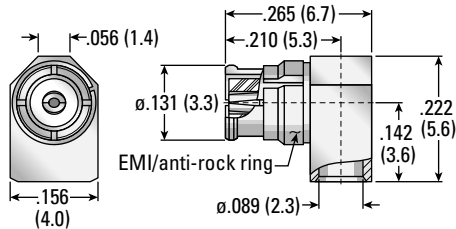


AEP P/N
7500-1582-011

Body material: Beryllium copper

Right Angle Female Cable Connectors (Direct Solder for Semi-Rigid Cable)

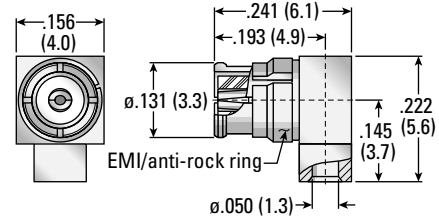
For .086" semi-rigid cable



AEP P/N
7501-1562-010

Body material: Beryllium copper

For .047" semi-rigid cable

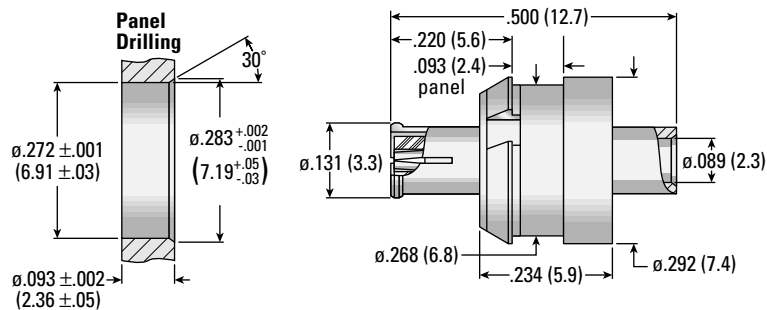


AEP P/N
7501-1562-011

Body material: Beryllium copper

Straight Female Cable Connector (Direct Solder for Semi-Rigid Cable)

For .086" semi-rigid cable—Snap-In panel mounting (float Mount)



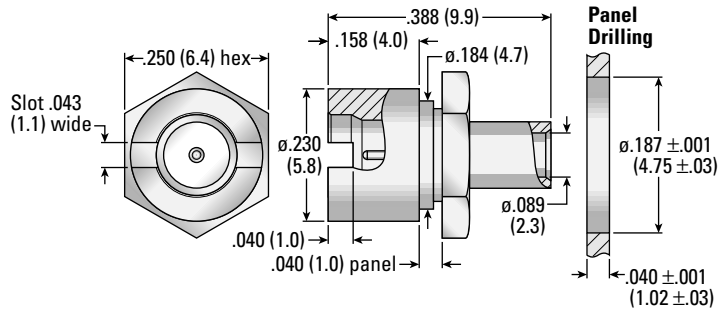
AEP P/N
7504-2282-010

Body material: Beryllium copper

Cable assembly instructions are shipped with each connector.

Straight Male Cable Connector (Direct Solder for Semi-Rigid Cable)

Captive Contact, for .086" semi-rigid / .040" thick panel

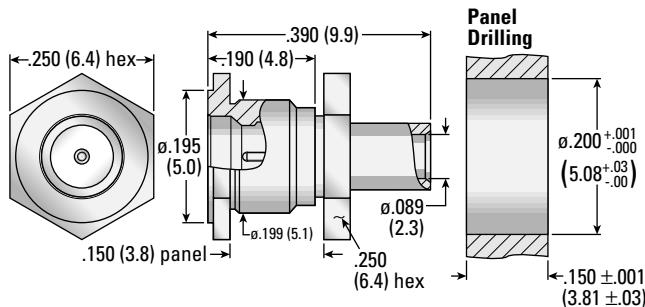


Detent Type	AEP P/N
Full Detent	7503-1582-010
Limited Detent	7506-1582-010
Smooth Bore	7502-1582-010

Body material: Beryllium copper

Straight Male Cable Connector (Direct Solder for Semi-Rigid Cable)

Captive Contact, for .086" semi-rigid / .150" thick panel

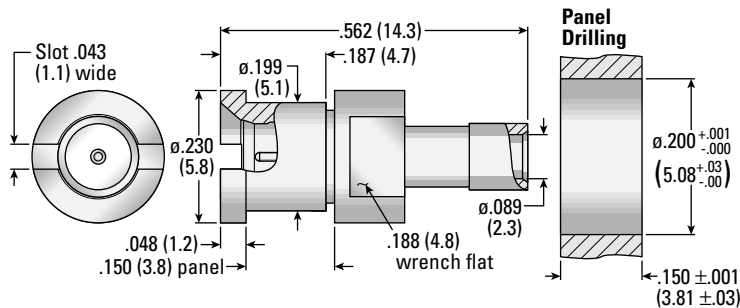


Detent Type	AEP P/N
Full Detent	7503-1582-110
Limited Detent	7506-1582-110
Smooth Bore	7502-1582-110

Body material: Beryllium copper

Straight Male Cable Connector (Catcher's Mitt* Direct Solder for Semi-Rigid Cable)

Non-Captive Contact, for .086" semi-rigid / .150" thick panel



Detent Type	AEP P/N
Full Detent	7503-1083-010
Limited Detent	7506-1083-010
Smooth Bore	7502-1083-010

Body material: Stainless Steel

*The "Catcher's Mitt" configuration features a wider-than-standard flare at the mating end, increasing its ability to "capture" a misaligned mating connector and guide it to center for proper mating.

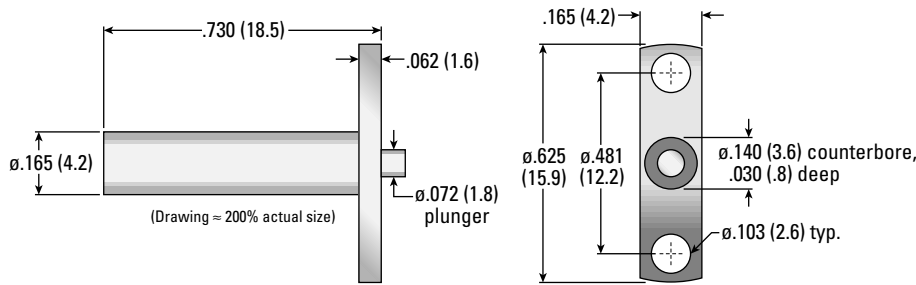
These panel connectors have two-piece bodies; after the rear assembly is inserted through the panel, the front shroud is assembled and tightened with a screwdriver or wrench.

Cable assembly instructions are shipped with each connector.

SMP Hermetic Seal Installation



Hermetic Seal Fixturing Tool

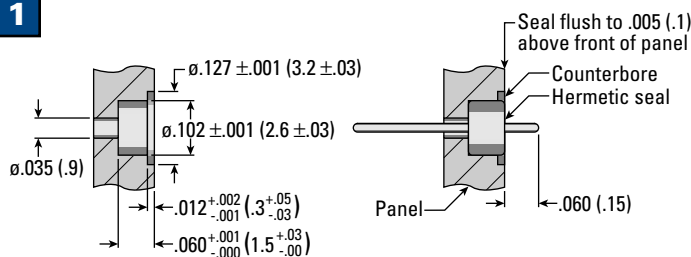


AEP P/N
TA-0453

Body material: Tool steel

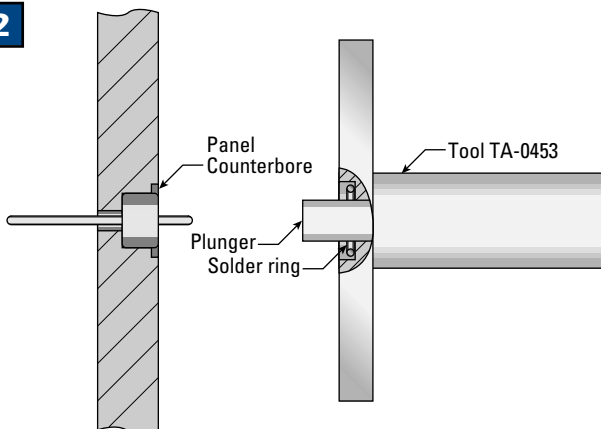
Hermetic Seal Installation

1



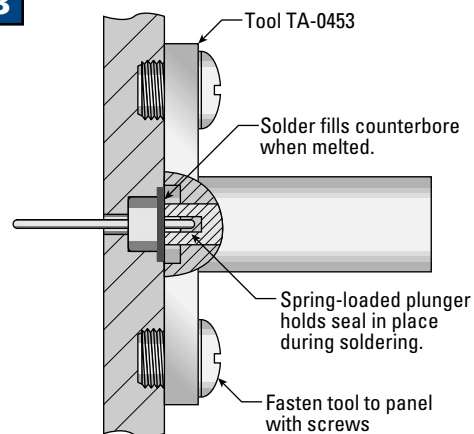
- Drill panel as shown.
- Front of seal should be as close to flush as possible with front surface of panel; if front of seal is below panel surface, an air gap is created which adversely affects electrical performance.
- Front of seal should be flush with front surface of panel, but may protrude up to .005" without affecting performance.

2



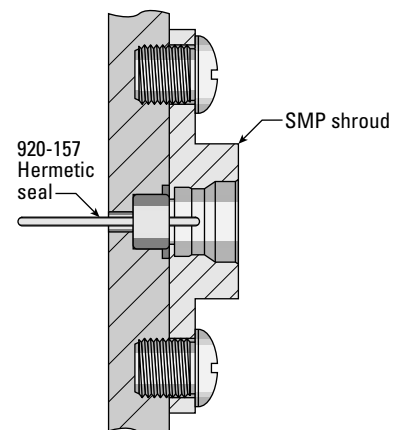
- Form solder ring of a size to completely fill panel counterbore when melted.
- Place preformed solder ring into counterbore of tool.

3



- Secure tool to panel with screws.
- Apply heat to completely melt solder.
- Remove tool only after solder joint has cooled.

4



- Secure SMP shroud flange to panel with screws.



APPLIED ENGINEERING PRODUCTS

(203) 776-2813 • FAX (203) 776-8294 • www.aep.us

Index by Part Number



Index by Part Number		
AEP P/N	Description	Page
5280-1502-000	Straight female-to-female "bullet" adapter	6
5280-1502-001	Straight female-to-female adapter	6
5280-1502-002	Straight female-to-female adapter	6
7500-1262-010	Straight female, direct solder, .086" semi-rigid, high frequency	7
7500-1562-010	Straight female, direct solder, .086" semi-rigid	7
7500-1582-011	Straight female, direct solder, .047" semi-rigid	7
7501-1562-010	Right angle female (soldered center contact), direct solder, .086" semi-rigid	7
7501-1562-011	Right angle female (soldered center contact), direct solder, .047" semi-rigid	7
7502-1083-010	Straight male bulkhead, smooth bore, catcher's mitt, direct solder, .086" semi-rigid	8
7502-1582-010	Straight male bulkhead, smooth bore, direct solder, .086" semi-rigid	8
7502-1582-110	Straight male bulkhead, smooth bore, direct solder, .086" semi-rigid	8
7503-1083-010	Straight male bulkhead, full detent, catcher's mitt, direct solder, .086" semi-rigid	8
7503-1582-010	Straight male bulkhead, full detent, direct solder, .086" semi-rigid	8
7503-1582-110	Straight male bulkhead, full detent, direct solder, .086" semi-rigid	8
7504-2282-010	Straight female bulkhead, snap-in float mount, direct solder, .086" semi-rigid	7
7506-1083-010	Straight male bulkhead, limited detent, catchers mitt, direct solder, .086" semi-rigid	8
7506-1582-010	Straight male bulkhead, limited detent, direct solder, .086" semi-rigid	8
7506-1582-110	Straight male bulkhead, limited detent, direct solder, .086" semi-rigid	8
7509-9013-000	Straight male shroud (no center contact), limited detent, 2-hole flange mount	6
7515-9013-000	Straight male shroud (no center contact), smooth bore, 2-hole flange mount	6
7516-9013-000	Straight male shroud (no center contact), full detent, 2-hole flange mount	6
920-157	Male 50 ohm hermetic glass seal for use with shrouds	6
TA-0453	Glass seal soldering fixture	9

Disclaimer

All information in this brochure is correct and factual to the best of our knowledge at the time of preparation. We reserve the right to make changes in products and / or specifications at any time, including (but not limited to) changes required by updates to applicable military specifications. This catalog may have been updated since the time of printing; please call or visit our website at www.aep.us for latest version.





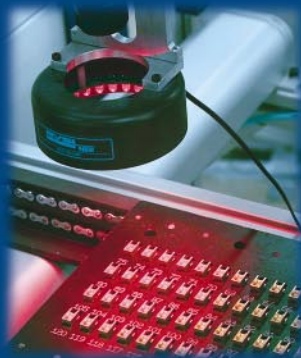
Competitive Cross-Reference		
Gilbert P/N	Description	AEP P/N
0119-422-3	Straight male bulkhead, full detent, catcher's mitt, direct solder, .086" semi-rigid	7503-1083-010
0119-435-3	Straight male bulkhead, smooth bore, catcher's mitt, direct solder, .086" semi-rigid	7502-1083-010
0119-447-1	Straight male bulkhead, smooth bore, direct solder, .086" semi-rigid	7502-1582-010
0119-447-1-FD	Straight male bulkhead, full detent, direct solder, .086" semi-rigid	7503-1582-010
0119-447-1-LD	Straight male bulkhead, limited detent, direct solder, .086" semi-rigid	7506-1582-010
0119-487-3	Straight male bulkhead, limited detent, catchers mitt, direct solder, .086" semi-rigid	7506-1083-010
0119-611-1	Straight male bulkhead, full detent, direct solder, .086" semi-rigid	7503-1582-110
0119-668-3	Straight female bulkhead, snap-in float mount, direct solder, .086" semi-rigid	7504-2282-010
0119-815-1	Right angle female (soldered center contact), direct solder, .086" semi-rigid	7501-1562-010
0119-833-3	Straight male shroud (no center contact), limited detent, 2-hole flange mount	7509-9013-000
0119-845-1	Right angle female (soldered center contact), direct solder, .047" semi-rigid	7501-1562-011
0119-872-1	Straight male bulkhead, smooth bore, direct solder, .086" semi-rigid	7502-1582-110
0119-925-1	Straight female, direct solder, .086" semi-rigid, high frequency	7500-1262-010
0119-930-1	Straight female, direct solder, .047" semi-rigid	7500-1582-011
0119-945-1	Straight female-to-female "bullet" adapter	5280-1502-000
0119-948-3	Straight male shroud (no center contact), full detent, 2-hole flange mount	7516-9013-000
0119-955-3	Straight male shroud (no center contact), smooth bore, 2-hole flange mount	7515-9013-000
0270-012-1	Male 50 ohm hermetic glass seal for use with shrouds	920-157
A014-B11-01	Straight female, direct solder, .047" semi-rigid	7500-1582-011
A014-D11-01	Straight female, direct solder, .086" semi-rigid	7500-1562-010
A016-D73-01	Straight male bulkhead, full detent, direct solder, .086" semi-rigid	7503-1582-010
A016-D74-01	Straight male bulkhead, limited detent, direct solder, .086" semi-rigid	7506-1582-010
A016-D76-01	Straight male bulkhead, smooth bore, direct solder, .086" semi-rigid	7502-1582-010
A018-D11-01	Straight female bulkhead, snap-in float mount, direct solder, .086" semi-rigid	7504-2282-010
A1A1-0001-01	Straight female-to-female "bullet" adapter	5280-1502-000
Y007-L42-04	Male 50 ohm hermetic glass seal for use with shrouds	920-157



About AEP

Since our foundation in 1973, our goal has been to tailor our equipment and processes toward satisfying customer and market demand, no matter how circumstances change. To that end, our modern plant, with recent expansion, provides vertically-integrated machining, assembly, and testing to ensure the product quality and on-time delivery that have always been our hallmark.

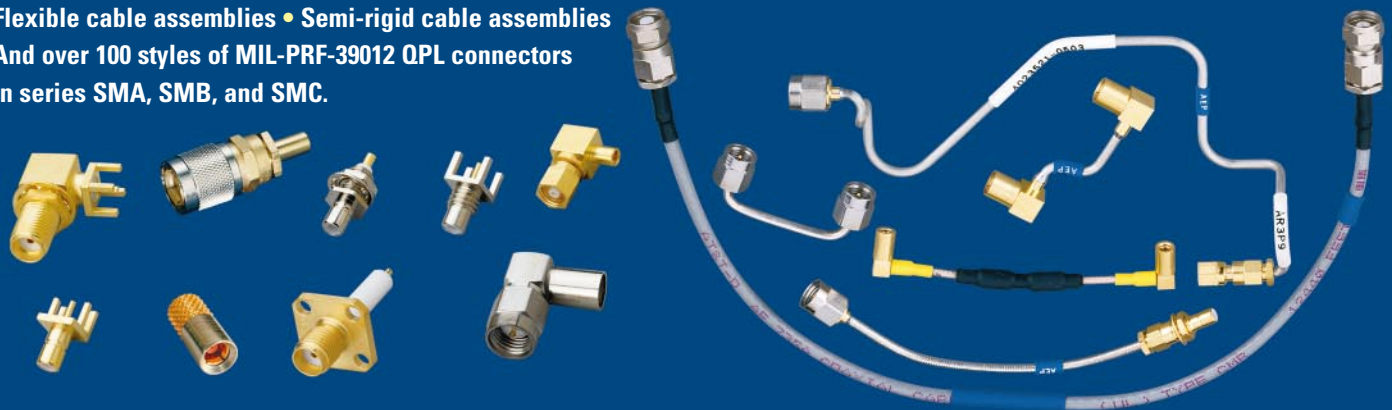
"Continuous Improvement Equals Customer Satisfaction" is not just a slogan; we believe it's the best and only way to do business.



Other AEP Products

The SMP connectors in this brochure are only part of our complete line of coaxial connectors and cable assemblies, including:

- SMA • SMB • SMC • SSMA • SSMB • SSMC • SLB (Slide-on version of SMB) • SSLB (Slide-on version of SSMB)
- MCX • MMCX • 75Ω Miniature SMB • 75Ω Snap-on mating • 75Ω Screw-on mating • Adapters within and between series
- Flexible cable assemblies • Semi-rigid cable assemblies
- And over 100 styles of MIL-PRF-39012 QPL connectors in series SMA, SMB, and SMC.



APPLIED ENGINEERING PRODUCTS

104 John W. Murphy Drive • P.O. Box 510 • New Haven, CT 06513

(203) 776-2813 • FAX (203) 776-8294 • www.aep.us • e-mail: aepsales@aep.us

X-ON Electronics

Largest Supplier of Electrical and Electronic Components

Click to view similar products for [RF Connectors / Coaxial Connectors](#) category:

Click to view products by [Radiall](#) manufacturer:

Other Similar products are found below :

[8915-1511-000](#) [89674-0827](#) [6001-7071-019](#) [6002-7051-003](#) [6002-7551-202](#) [6059674-1](#) [619550-1](#) [630059-000](#) [M39030/3-01N](#) [6500-7071-046](#) [6769](#) [CX050L2AQ](#) [7002-1541-010](#) [7002-1542-011](#) [7004-1512-000](#) [7009-1511-004](#) [7010-1511-000](#) [7029-1511-060](#) [7101-1541-010](#) [7101-1571-002](#) [7145-1521-002](#) [7203-1571-003](#) [7209-1511-011](#) [7210-1511-015](#) [7210-1511-019](#) [73137-5015](#) [73216-2241](#) [73404-2300](#) [7405-1521-005](#) [7405-1521-802](#) [8527](#) [8547](#) [FS11V](#) [877931](#) [8808-1511-001](#) [9049-9513-000](#) [9074-9513-000](#) [9101-9573-002](#) [910A205F](#) [9130-9573-002](#) [PL11SC-026](#) [PL375-33](#) [PL40-5](#) [PL74C-221](#) [PL75MC-217](#) [PL803-7](#) [980-8666-005](#) [1200690078](#) [1-201144-1](#) [R107003010W](#)