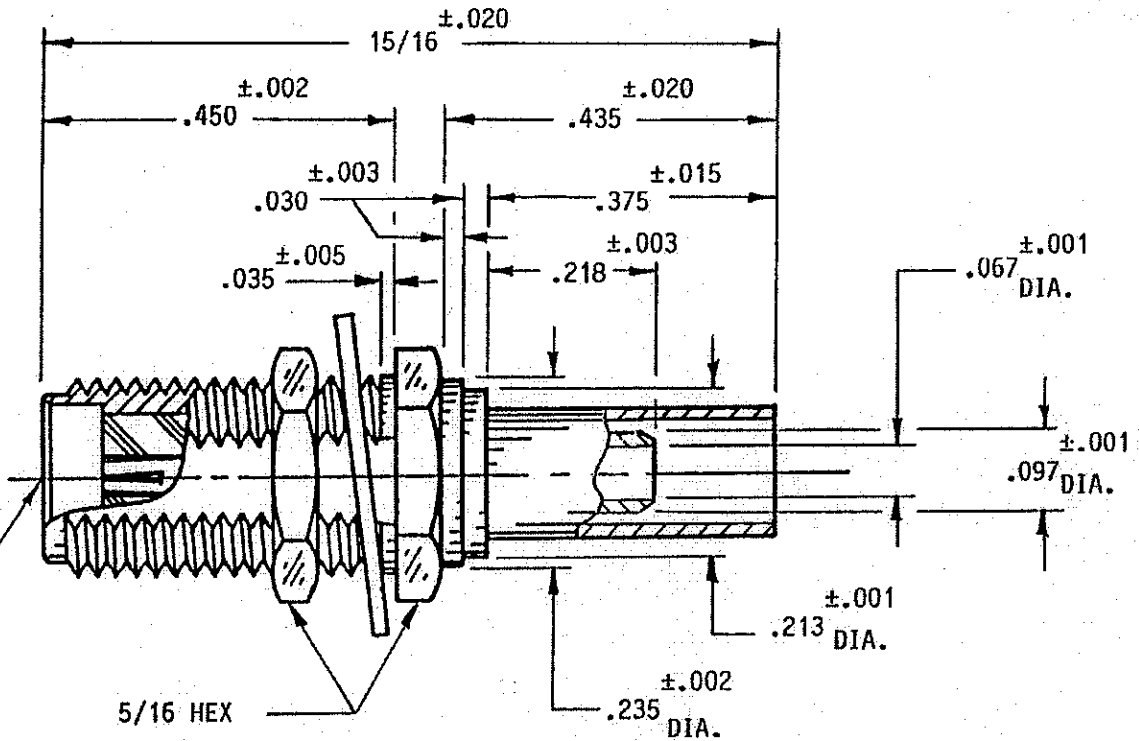


FILE



INTERFACE CONFORMS TO MIL-C-39012 SMA SERIES

** USE .128 HEX CRIMP DIE FOR CRIMPING

NOTES:

MATERIAL:

1. BODY & NUT = STAINLESS STEEL PER ASTM-A-582, TYPE 303.
2. CONTACT = BERYLLIUM COPPER PER QQ-C-530.
3. INSULATOR = TEFLON TFE PER ASTM-D-1710.
4. LOCKWASHER = PHOSPHOR BRONZE PER QQ-B-750.
5. CRIMP SLEEVE = SEAMLESS COPPER TUBE PER WW-T-799 TEMPER DEAD SOFT PER ASTM-B-188.

FINISHES:

1. BODY & NUT = GOLD PLATE PER MIL-G-45204 TYPE II, CLASS O, GRADE C OVER STRESS FREE NICKEL PER QQ-N-290.
2. LOCKWASHER & CRIMP SLEEVE = GOLD PLATE PER MIL-G-45204 TYPE II, CLASS O, GRADE C OVER COPPER STRIKE PER MIL-C-14550.
3. CONTACT = GOLD PLATE PER MIL-G-45204 TYPE II, CLASS I, GRADE C OVER STRESS FREE NICKEL PER QQ-N-290.

PROPRIETARY INFORMATION
NOT TO BE RELEASED
WITHOUT WRITTEN PERMISSION
FROM AN AUTHORIZED
REPRESENTATIVE OF
APPLIED ENGINEERING PRODUCTS.

SMA STRAIGHT BULKHEAD
JACK FOR USE WITH RG174,
179,316,M17/113,119,&173
FLEXIBLE CABLE

APPLIED ENGINEERING PRODUCTS
104 John W. Murphy Drive, P.O. Box 510
New Haven, CT 06513

CODE IDENT. **19505**

9030-1023-003

X-ON Electronics

Largest Supplier of Electrical and Electronic Components

Click to view similar products for [RF Connectors / Coaxial Connectors](#) category:

Click to view products by [Radiall](#) manufacturer:

Other Similar products are found below :

[8915-1511-000](#) [89674-0827](#) [6001-7071-019](#) [6002-7051-003](#) [6002-7551-202](#) [6059674-1](#) [619550-1](#) [630059-000](#) [M39030/3-01N](#) [6500-7071-046](#) [6769](#) [CX050L2AQ](#) [7002-1541-010](#) [7002-1542-011](#) [7004-1512-000](#) [7009-1511-004](#) [7010-1511-000](#) [7029-1511-060](#) [7101-1541-010](#) [7101-1571-002](#) [7145-1521-002](#) [7203-1571-003](#) [7209-1511-011](#) [7210-1511-015](#) [7210-1511-019](#) [73137-5015](#) [73216-2241](#) [73404-2300](#) [7405-1521-005](#) [7405-1521-802](#) [8527](#) [8547](#) [FS11V](#) [877931](#) [8808-1511-001](#) [9049-9513-000](#) [9074-9513-000](#) [9101-9573-002](#) [910A205F](#) [9130-9573-002](#) [PL11SC-026](#) [PL375-33](#) [PL40-5](#) [PL74C-221](#) [PL75MC-217](#) [PL803-7](#) [1200690078](#) [1-201144-1](#) [R107003010W](#) [R110A172100](#)