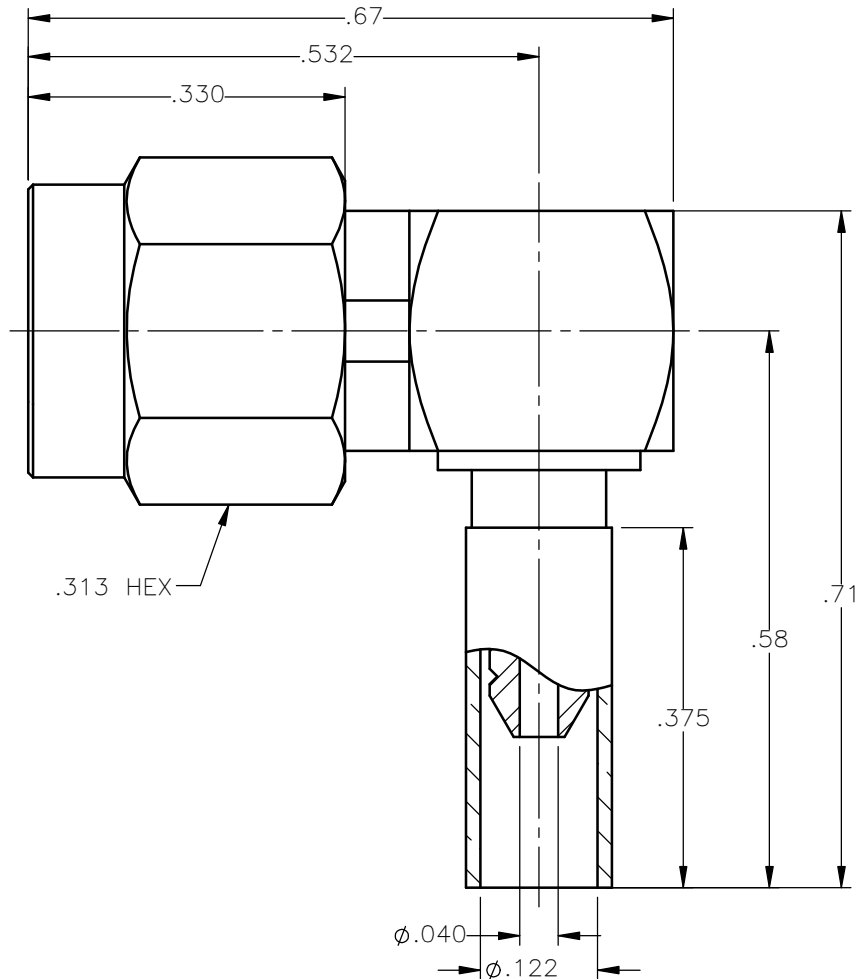
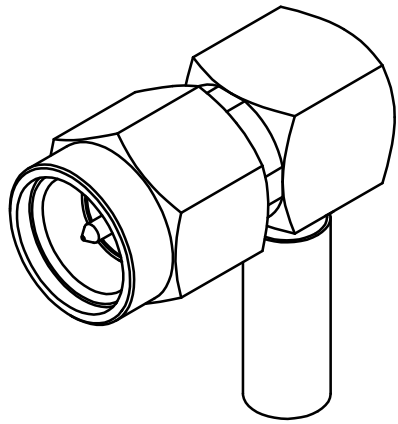


REVISIONS			
REV.	DESCRIPTION	DATE	APPROVED
A	INITIAL RELEASE	03/13/18	D.N.





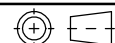
NOTES:

MATERIALS:

- BODIES & COUPLING NUT = STAINLESS STEEL PER ASTM A582, ALLOY 303, CONDITION "A".
- CONTACT & RETAINING RING = BERYLLIUM COPPER PER ASTM B196, ALLOY C17300, TEMPER TD04.
- INSULATORS = VIRGIN WHITE TEFLON PER ASTM D1710, GRADE 1, TYPE I, CLASS "B".
- GASKET = SILICONE RUBBER PER ZZ-R-765, CLASS 2B, GRADE 65-75.
- CAP = BRASS PER ASTM B16, ALLOY C36000, TEMPER H02.
- CRIMP SLEEVE = SEAMLESS LOWLEAD BRASS TUBE, ALLOY 330, SOFT ANNEAL TEMPER, .025/.060 GRAIN SIZE OR SEAMLESS COPPER TUBE PER ASTM B75, TYPE C12000, TEMPER: LIGHT ANNEAL O50 EXCEPT YIELD STRENGTH.
- SHRINK SLEEVE = (NOT SHOWN) THERMOFIT SCL, BLACK.

FINISHES:

- BODIES = GOLD PLATE PER ASTM B488-11, TYPE II, 30 μ in MIN, GRADE C, OVER 50 TO 100 μ in STRESS FREE NICKEL PER AMS-QQ-N-290.
- COUPLING NUT = PASSIVATE PER SAE-AMS-2700
- CONTACT = GOLD PLATE PER ASTM B488-11, TYPE II, 50 μ in MIN, GRADE C, OVER 100 TO 200 μ in STRESS FREE SULFAMATE NICKEL PER AMS-QQ-N-290.
- CRIMP SLEEVE & CAP = GOLD PLATE PER ASTM B488-11, TYPE II, 30 μ in MIN, GRADE C OVER 100 TO 200 μ in COPPER STRIKE PER AMS 2418.

UNLESS OTHERWISE SPECIFIED DIMENSIONS ARE IN INCHES TOLERANCES ON	DWN: DATE	 Property of Radiall This document cannot be reproduced or communicated to a third party without prior written permission of RADIALL.	
	D.N. DATE		
DECIMAL	ANGLE	CHKD: DATE	SMA RIGHT ANGLE PLUG CRIMP TYPE FOR RG-178 & SIMILAR CABLES
		C.E. DATE	
		APVD: DATE	
REFERENCE:	MATERIALS & FINISHES:	J.M. DATE	SIZE: A FSCM NO.: 19505 DWG NO.: 9043-1523-002 REV: A
ORIGINATED: D.N. DATE: 03/13/18	SEE NOTES		SCALE: 5:1 THIRD ANGLE PROJECTION  SHEET 1 OF 1

9043-1523-002

X-ON Electronics

Largest Supplier of Electrical and Electronic Components

Click to view similar products for [RF Connectors](#) / [Coaxial Connectors](#) category:

Click to view products by [Radiall](#) manufacturer:

Other Similar products are found below :

[8915-1511-000](#) [89674-0827](#) [6001-7071-019](#) [6002-7051-003](#) [6002-7551-202](#) [6059674-1](#) [619550-1](#) [630059-000](#) [M39030/3-01N](#) [6500-7071-046](#) [6769](#) [CX050L2AQ](#) [7002-1541-010](#) [7002-1542-011](#) [7004-1512-000](#) [7009-1511-004](#) [7010-1511-000](#) [7029-1511-060](#) [7101-1541-010](#) [7101-1571-002](#) [7145-1521-002](#) [7203-1571-003](#) [7209-1511-011](#) [7210-1511-015](#) [7210-1511-019](#) [73137-5015](#) [73216-2241](#) [73404-2300](#) [7405-1521-005](#) [7405-1521-802](#) [8527](#) [8547](#) [FS11V](#) [877931](#) [8808-1511-001](#) [9074-9513-000](#) [9101-9573-002](#) [910A205F](#) [9130-9573-002](#) [PL11SC-026](#) [PL375-33](#) [PL40-5](#) [PL74C-221](#) [PL75MC-217](#) [PL803-7](#) [1200690078](#) [1-201144-1](#) [R107003010W](#) [R110A172100](#) [R112186000](#)