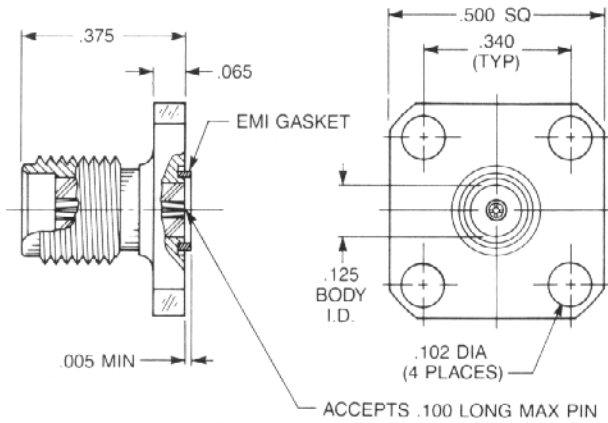




HERMETIC SEAL LAUNCHERS

FOR .012" DIAMETER PINS



Straight Jack 1/2" Square Flange

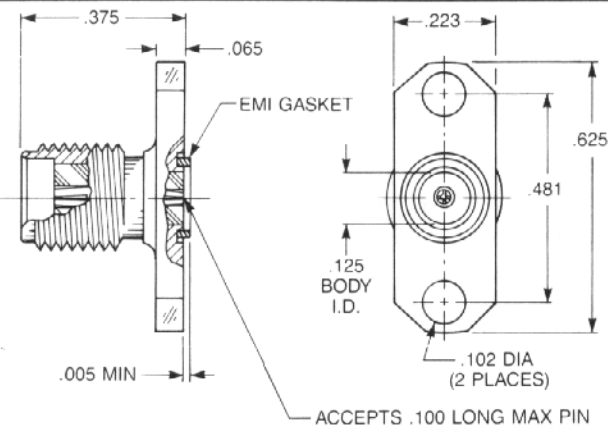
9045-9513-000

Optional packaging:

9145-9513-000 (Includes 920-55)

9245-9513-000 (Includes 920-55 and 907-111-1)

9345-9513-000 (Includes 907-111-1)



Straight Jack 2-Hole Flange

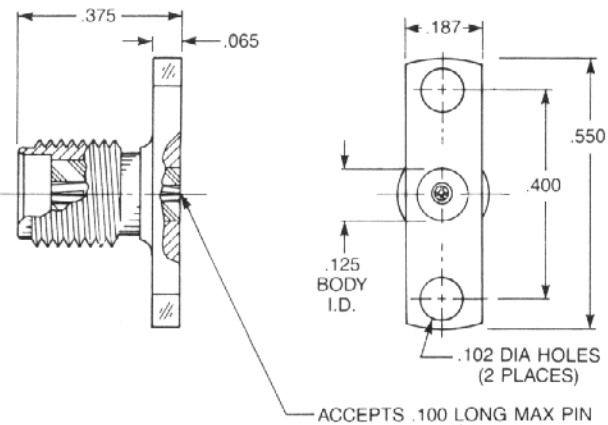
9044-9513-000

Optional packaging:

9144-9513-000 (Includes 920-55)

9244-9513-000 (Includes 920-55 and 907-111-1)

9344-9513-000 (Includes 907-111-1)



Straight Jack Narrow 2-Hole Flange

No EMI gasket

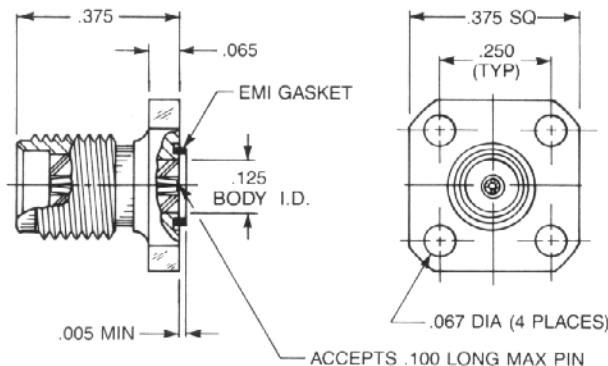
9080-9513-000

Optional packaging:

9180-9513-000 (Includes 920-55)

9280-9513-000 (Includes 920-55 and 907-111-1)

9380-9513-000 (Includes 907-111-1)



Straight Jack 3/8" Square Flange

9079-9513-000

Optional packaging:

9179-9513-000 (Includes 920-55)

9279-9513-000 (Includes 920-55 and 907-111-1)

9379-9513-000 (Includes 907-111-1)

These units accept pin diameters .011 to .015"

AEP New Haven, CT
203/776-2813

**Straight Jack
Rectangular Flange**

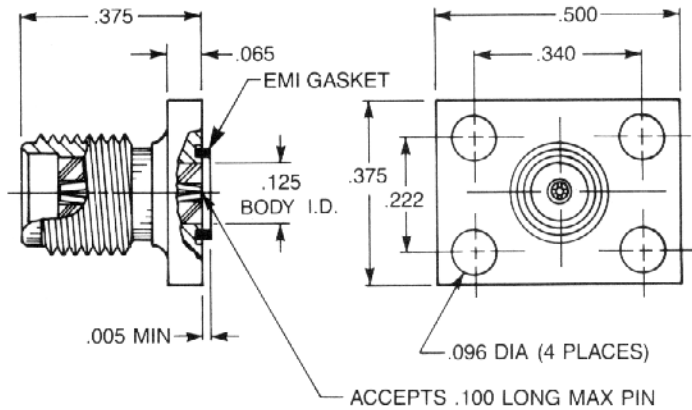
9062-9513-000

Optional packaging:

9162-9513-000 (Includes 920-55)

9262-9513-000 (Includes 920-55
and 907-111-1)

9362-9513-000 (Includes 907-111-1)



**Straight Plug
1/2" Square Flange**

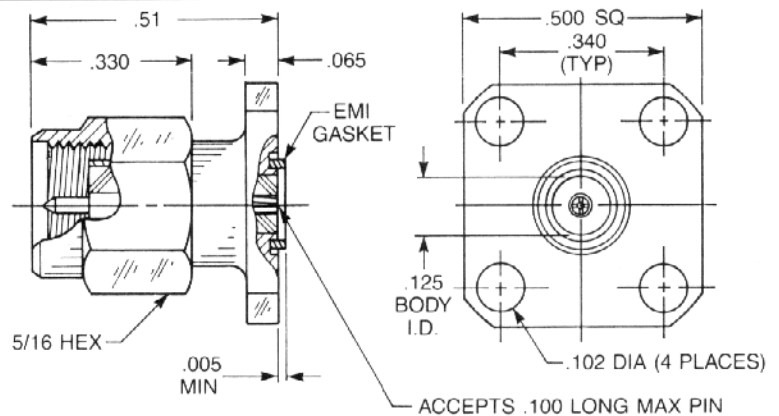
9047-9513-000

Optional packaging:

9147-9513-000 (Includes 920-55)

9247-9513-000 (Includes 920-55
and 907-111-1)

9347-9513-000 (Includes 907-111-1)



**Straight Plug
2-Hole Flange**

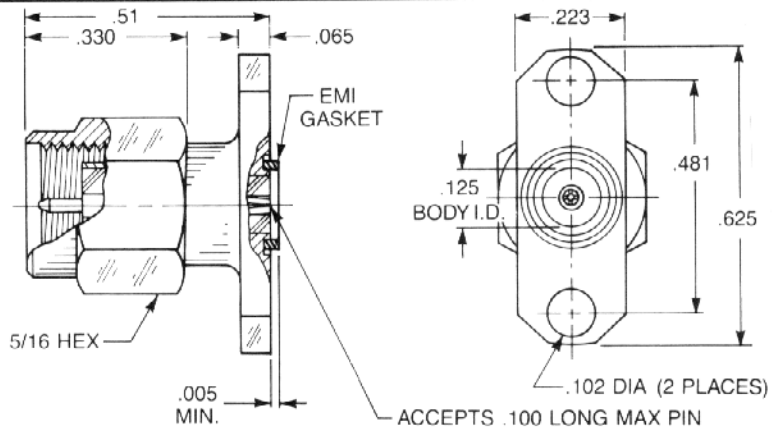
9046-9513-000

Optional packaging:

9146-9513-000 (Includes 920-55)

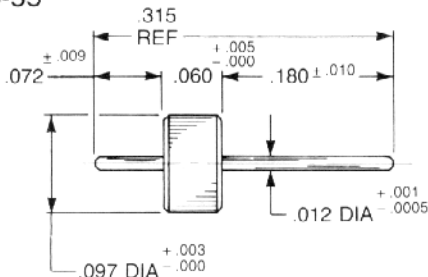
9246-9513-000 (Includes 920-55
and 907-111-1)

9346-9513-000 (Includes 907-111-11)



Solder-In Hermetic Seal

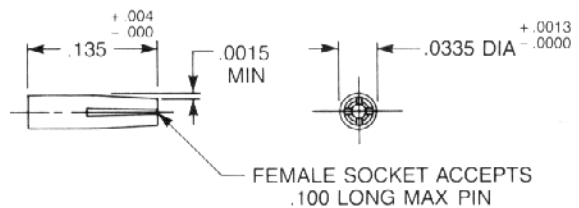
P/N 920-55



See page 45 for material and finish specifications and mounting dimensions.

Accessory Contact

P/N 907-111-1



Material: Beryllium copper
Finish: Gold per MIL-G-45204, type II, class I, grade C, over .0001 copper per MIL-C-14550

These units accept pin diameters .011 to .015"

X-ON Electronics

Largest Supplier of Electrical and Electronic Components

Click to view similar products for [RF Connectors](#) / [Coaxial Connectors](#) category:

Click to view products by [Radiall](#) manufacturer:

Other Similar products are found below :

[8915-1511-000](#) [89674-0827](#) [6001-7071-019](#) [6002-7051-003](#) [6002-7551-202](#) [6059674-1](#) [619550-1](#) [630059-000](#) [M39030/3-01N](#) [6500-7071-046](#) [6769](#) [CX050L2AQ](#) [7002-1541-010](#) [7002-1542-011](#) [7004-1512-000](#) [7009-1511-004](#) [7010-1511-000](#) [7029-1511-060](#) [7101-1541-010](#) [7101-1571-002](#) [7145-1521-002](#) [7203-1571-003](#) [7209-1511-011](#) [7210-1511-015](#) [7210-1511-019](#) [73137-5015](#) [73216-2241](#) [73404-2300](#) [7405-1521-005](#) [7405-1521-802](#) [8527](#) [8547](#) [FS11V](#) [877931](#) [8808-1511-001](#) [9074-9513-000](#) [9101-9573-002](#) [910A205F](#) [9130-9573-002](#) [PL11SC-026](#) [PL375-33](#) [PL40-5](#) [PL74C-221](#) [PL75MC-217](#) [PL803-7](#) [1200690078](#) [1-201144-1](#) [R107003010W](#) [R110A172100](#) [R112186000](#)