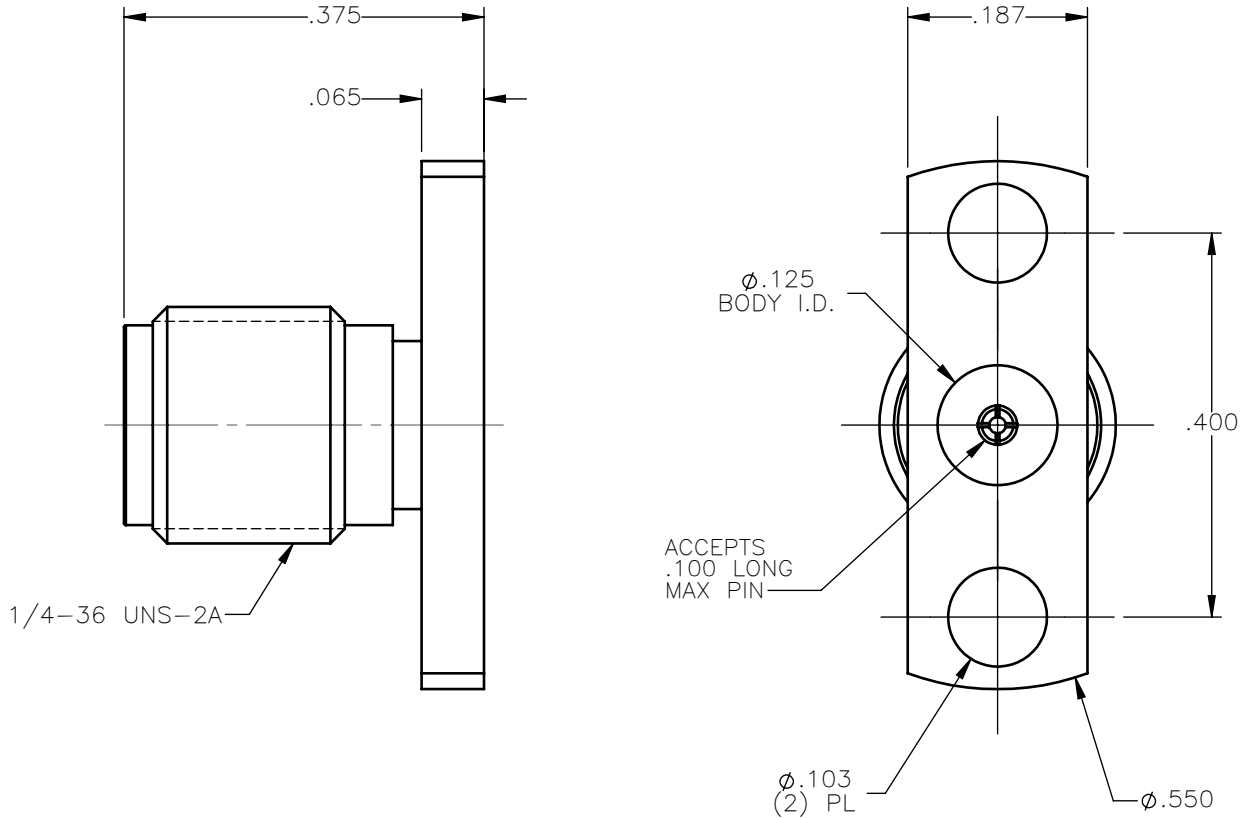
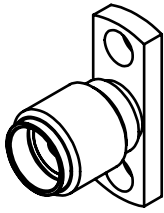


REVISIONS			
REV.	DESCRIPTION	DATE	APPROVED
A	INITIAL RELEASE	03/10/15	N.D.





NOTES:

MATERIALS:

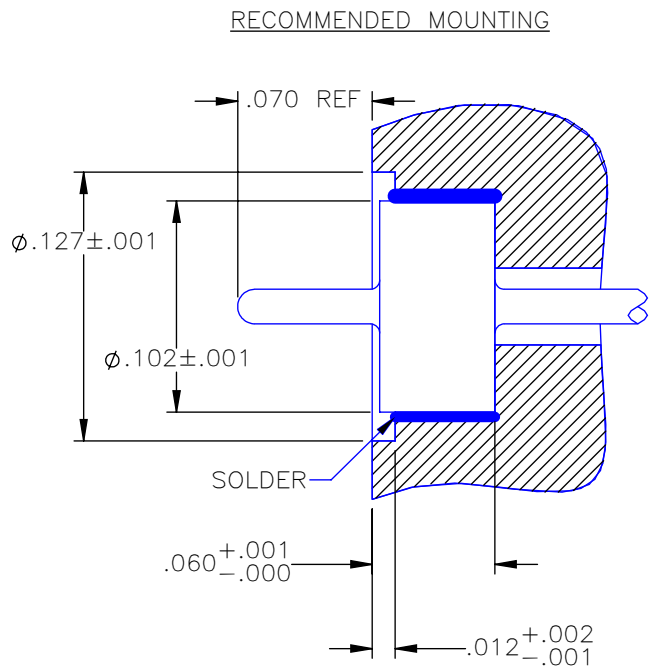
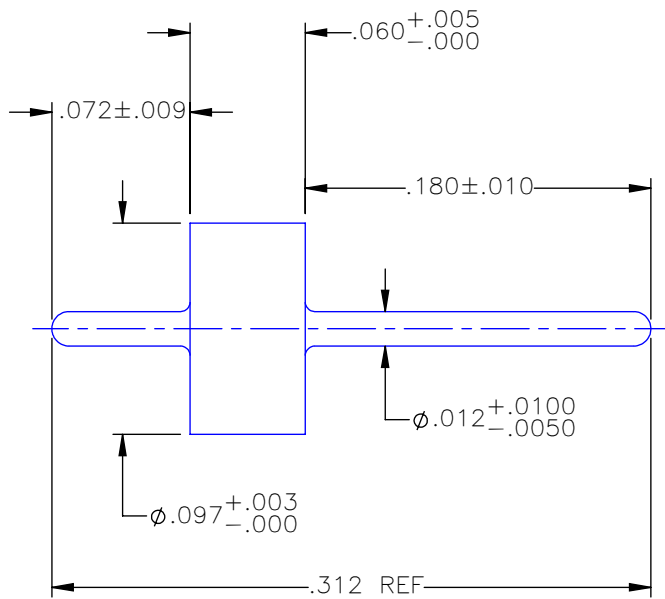
1. BODY = STAINLESS STEEL PER ASTM A582, ALLOY 303, CONDITION "A".
2. INSULATOR = VIRGIN WHITE TEFLON PER ASTM D1710, GRADE 1, TYPE I, CLASS "B".
3. CONTACT = BERYLLIUM COPPER PER ASTM B196, ALLOY C17300, TEMPER TD04.

FINISHES:

1. BODY = PASSIVATE PER SAE-AMS-2700
2. CONTACT = GOLD PLATE PER ASTM B488-01, TYPE II, 50µin MIN, GRADE C, OVER 100 TO 200µin STRESS FREE SULFAMATE NICKEL PER QQ-N-290.



UNLESS OTHERWISE SPECIFIED DIMENSIONS ARE IN INCHES TOLERANCES ON	DWN: N.D.	DATE 03/10/15	 Property of Radiall This document cannot be reproduced or communicated to a third party without prior written permission of RADIALL.			
	CHKD: D.N.	DATE 03/10/15				
DECIMAL	ANGLE	APVD: J.M.	<b>SMA STRAIGHT JACK TWO HOLE FLANGE MOUNT WITH GLASS SEAL</b>			
		DATE 03/10/15				
REFERENCE:	MATERIALS AND FINISHES: SEE NOTES		SIZE A	FSCM NO. 19505	DWG NO. 9180-9513-000	REV A
ORIGINATED: N.D. DATE: 03/10/15			SCALE 5:1	THIRD ANGLE PROJECTION		SHEET 1 OF 2

9180-9513-000



MATERIALS: OUTER RING AND PIN = KOVAR  
GLASS BEAD = CORNING 7070

FINISHES: OUTER RING AND PIN = GOLD PLATE PER ASTM B488-01, TYPE II, GRADE C, 50µin  
OVER NICKEL PER MIL-C-26074, 50µin THICK OVER COPPER PER MIL-C-14550.

UNLESS OTHERWISE SPECIFIED DIMENSIONS ARE IN INCHES TOLERANCES ON	DWN: N.D.	DATE 03/10/15	 Property of Radiall This document cannot be reproduced or communicated to a third party without prior written permission of RADIALL.			
	CHKD: D.N.	DATE 03/10/15				
DECIMAL	ANGLE	APVD: J.M.	<b>SMA STRAIGHT JACK TWO HOLE FLANGE MOUNT WITH GLASS SEAL</b>			
		DATE 03/10/15				
REFERENCE:	MATERIALS AND FINISHES: SEE NOTES		SIZE A	FSCM NO. 19505	DWG NO. 9180-9513-000	REV A
ORIGINATED: N.D. DATE: 03/10/15			SCALE 4:1	THIRD ANGLE PROJECTION		SHEET 2 OF 2

9180-9513-000

## X-ON Electronics

Largest Supplier of Electrical and Electronic Components

*Click to view similar products for [RF Connectors / Coaxial Connectors](#) category:*

*Click to view products by [Radiall](#) manufacturer:*

Other Similar products are found below :

[8915-1511-000](#) [89674-0827](#) [6001-7071-019](#) [6002-7051-003](#) [6002-7551-202](#) [6059674-1](#) [619550-1](#) [630059-000](#) [M39030/3-01N](#) [6500-7071-046](#) [6769](#) [CX050L2AQ](#) [7002-1541-010](#) [7002-1542-011](#) [7004-1512-000](#) [7009-1511-004](#) [7010-1511-000](#) [7029-1511-060](#) [7101-1541-010](#) [7101-1571-002](#) [7145-1521-002](#) [7203-1571-003](#) [7209-1511-011](#) [7210-1511-015](#) [7210-1511-019](#) [73137-5015](#) [73216-2241](#) [73404-2300](#) [7405-1521-005](#) [7405-1521-802](#) [8527](#) [8547](#) [FS11V](#) [877931](#) [8808-1511-001](#) [9074-9513-000](#) [9101-9573-002](#) [910A205F](#) [9130-9573-002](#) [PL11SC-026](#) [PL375-33](#) [PL40-5](#) [PL74C-221](#) [PL75MC-217](#) [PL803-7](#) [1200690078](#) [1-201144-1](#) [R107003010W](#) [R110A172100](#) [R112186000](#)