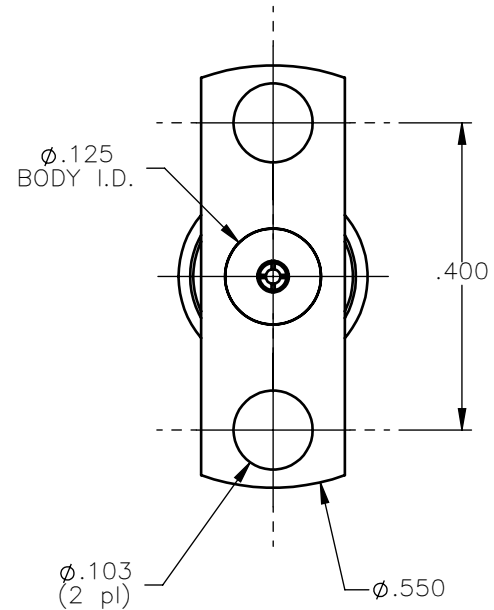
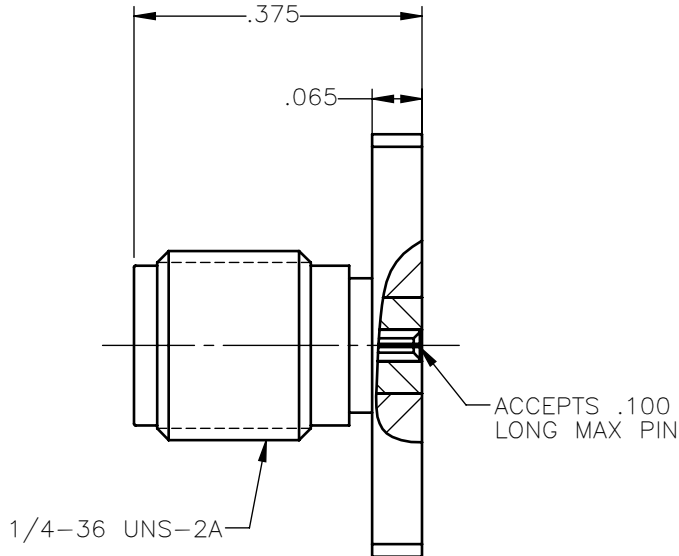


REVISIONS			
REV.	DESCRIPTION	DATE	APPROVED
A	INITIAL RELEASE	03/12/18	C.E.





NOTES:

MATERIALS:

1. BODY = STAINLESS STEEL PER ASTM A582, ALLOY 303, CONDITION "A".
2. INSULATOR = VIRGIN WHITE TEFLON PER ASTM D1710, GRADE 1, TYPE I, CLASS "B".
3. CONTACT = BERYLLIUM COPPER PER ASTM B196, ALLOY C17300, TEMPER TD04.

FINISHES:

1. BODY = PASSIVATE PER SAE-AMS-2700.
2. CONTACT = GOLD PLATE PER ASTM B488-11, TYPE II, 50µin MIN, GRADE C, OVER 100 TO 200µin STRESS FREE SULFAMATE NICKEL PER AMS-QQ-N-290.

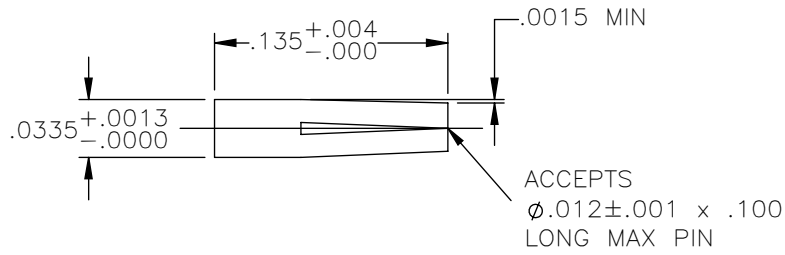
UNLESS OTHERWISE SPECIFIED DIMENSIONS ARE IN INCHES TOLERANCES ON	DWN: C.E.	DATE: 03/12/18	 Property of Radiall This document cannot be reproduced or communicated to a third party without prior written permission of RADIALL.			
	CHKD: D.N.	DATE: 03/12/18				
DECIMAL	ANGLE	APVD: J.M.	DATE: 03/12/18	SMA STRAIGHT JACK 2-HOLE FLANGE MOUNT HERMETIC SEAL LAUNCHERS		
REFERENCE:	MATERIAL:	SIZE: A	FSCM NO.: 19505		DWG NO.: 9180-9513-001	REV: A
ORIGINATED: C.E. DATE: 03/12/18	SEE NOTES	SCALE: 4:1	THIRD ANGLE PROJECTION		SHEET 1 OF 2	

9180-9513-001

REVISIONS			
REV	DESCRIPTION	DATE	APPROVED
A	INITIAL RELEASE	03/13/18	C.E.

ORDERING INFORMATION

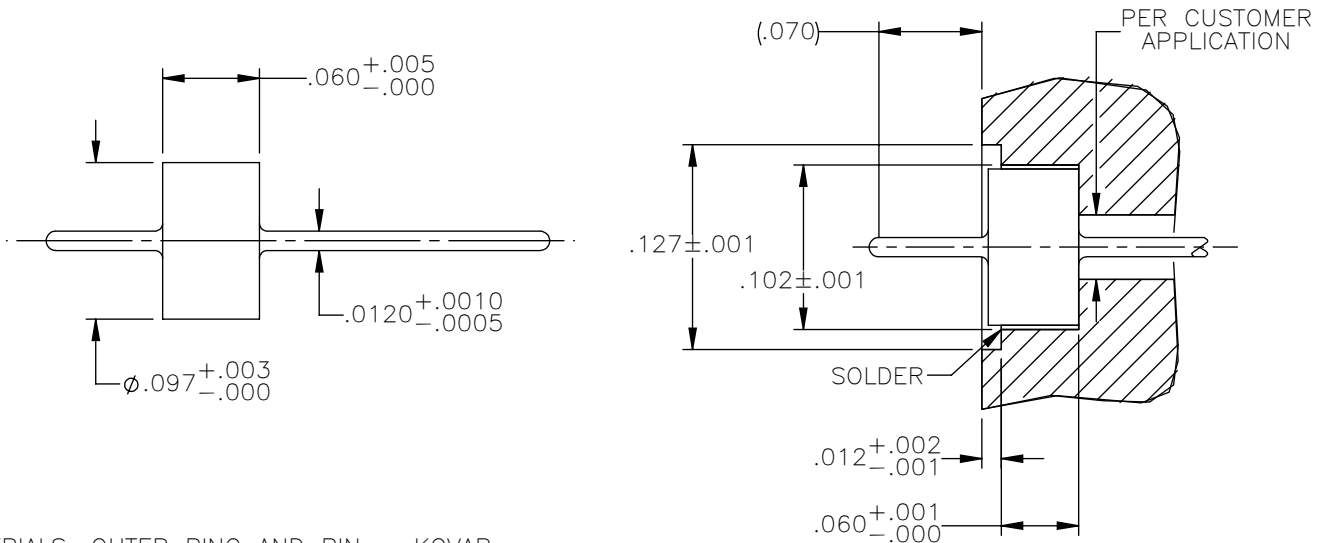
9062-9513-001 CONNECTOR ONLY, SUPPLIED TO DWG SHEET 1
 9162-9513-001 CONNECTOR SUPPLIED TO DWG WITH GLASS SEAL ONLY
 9262-9513-001 CONNECTOR SUPPLIED TO DWG WITH GLASS SEAL AND CONTACT
 9362-9513-001 CONNECTOR SUPPLIED TO DWG WITH CONTACT ONLY



MATERIAL: BERYLLIUM COPPER PER ASTM B196, ALLOY C17300, TEMPER TD04.



FINISH: GOLD PLATE PER MIL-G-45204, TYPE II, CLASS 1, GRADE C, OVER .00010 TO .00020 STRESS FREE SULFAMATE NICKEL PER QQ-N-290.

RECOMMENDED MOUNTING



MATERIALS: OUTER RING AND PIN = KOVAR
 GLASS BEAD = CORNING 7070

FINISHES: OUTER RING AND PIN = GOLD PLATE PER MIL-G-45204, TYPE II, GRADE C, CLASS I, OVER NICKEL PER MIL-G-26074, CLASS I, OVER COPPER PER MIL-C-14550.

UNLESS OTHERWISE SPECIFIED DIMENSIONS ARE IN INCHES TOLERANCES ON	DWN: C.E.	DATE: 03/13/18	 Property of Radiall This document cannot be reproduced or communicated to a third party without prior written permission of RADIALL.		
	CHKD: D.N.	DATE: 03/13/18			
DECIMAL	ANGLE	APVD: J.M.	DATE: 03/13/18	SMA STRAIGHT JACK 2-HOLE FLANGE MOUNT W/ GLASS SEAL	
REFERENCE:	MATERIALS & FINISHES:	SIZE: A	FSCM NO.: 19505		DWG NO.: 9180-9513-001
ORIGINATED: C.E. DATE: 03/13/18	SEE NOTES	SCALE: 12:1	THIRD ANGLE PROJECTION		REV: A
				SHEET 2 OF 2	

9180-9513-001

X-ON Electronics

Largest Supplier of Electrical and Electronic Components

Click to view similar products for [RF Connectors / Coaxial Connectors](#) category:

Click to view products by [Radiall](#) manufacturer:

Other Similar products are found below :

[8915-1511-000](#) [89674-0827](#) [6001-7071-019](#) [6002-7051-003](#) [6002-7551-202](#) [6059674-1](#) [619550-1](#) [630059-000](#) [M39030/3-01N](#) [6500-7071-046](#) [6769](#) [CX050L2AQ](#) [7002-1541-010](#) [7002-1542-011](#) [7004-1512-000](#) [7009-1511-004](#) [7010-1511-000](#) [7029-1511-060](#) [7101-1541-010](#) [7101-1571-002](#) [7145-1521-002](#) [7203-1571-003](#) [7209-1511-011](#) [7210-1511-015](#) [7210-1511-019](#) [73137-5015](#) [73216-2241](#) [73404-2300](#) [7405-1521-005](#) [7405-1521-802](#) [8527](#) [8547](#) [FS11V](#) [877931](#) [8808-1511-001](#) [9074-9513-000](#) [9101-9573-002](#) [910A205F](#) [9130-9573-002](#) [PL11SC-026](#) [PL375-33](#) [PL40-5](#) [PL74C-221](#) [PL75MC-217](#) [PL803-7](#) [1200690078](#) [1-201144-1](#) [R107003010W](#) [R110A172100](#) [R112186000](#)