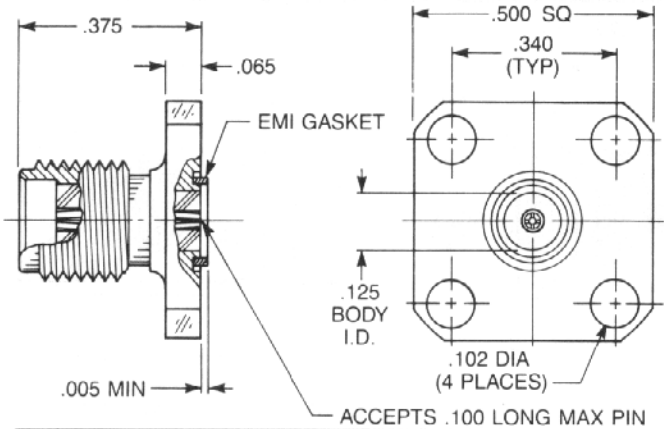




HERMETIC SEAL LAUNCHERS

FOR .018" DIAMETER PINS



Straight Jack 1/2" Square Flange

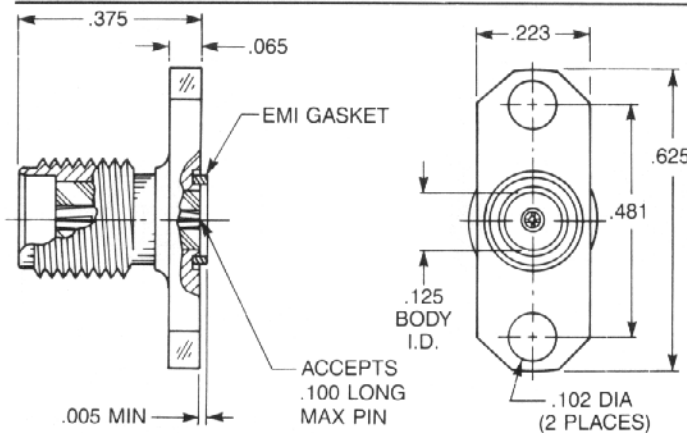
9049-9513-000

Optional packaging:

9149-9513-000 (Includes 920-56)

9249-9513-000 (Includes 920-56
and 907-111-2)

9349-9513-000 (Includes 907-111-2)



Straight Jack 2-Hole Flange

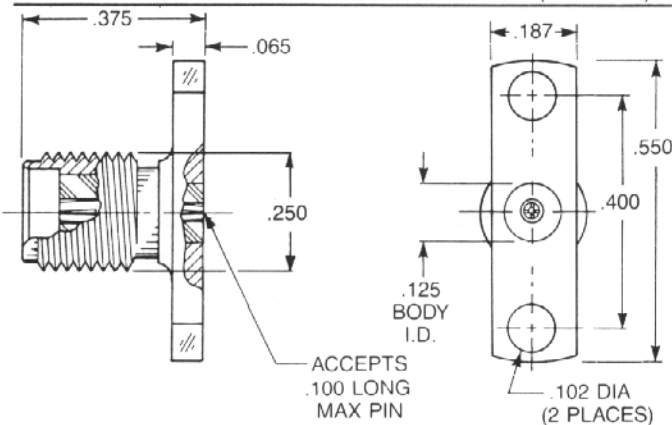
9048-9513-000

Optional packaging:

9148-9513-000 (Includes 920-56)

9248-9513-000 (Includes 920-56
and 907-111-2)

9348-9513-000 (Includes 907-111-2)



Straight Jack Narrow 2-Hole Flange

No EMI gasket

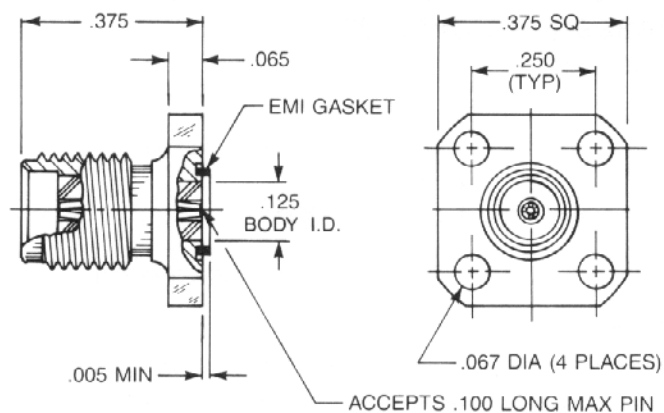
9081-9513-000

Optional packaging:

9181-9513-000 (Includes 920-56)

9281-9513-000 (Includes 920-56
and 907-111-2)

9381-9513-000 (Includes 907-111-2)



Straight Jack 3/8" Square Flange

9074-9513-000

Optional packaging:

9174-9513-000 (Includes 920-56)

9274-9513-000 (Includes 920-56
and 907-111-2)

9374-9513-000 (Includes 907-111-2)

These units accept pin diameters .016 to .020"

e-mail: aepsales@aepconnectors.com

AEP New Haven, CT
203/776-2813



FOR .018" DIAMETER PINS

Straight Jack Rectangular Flange

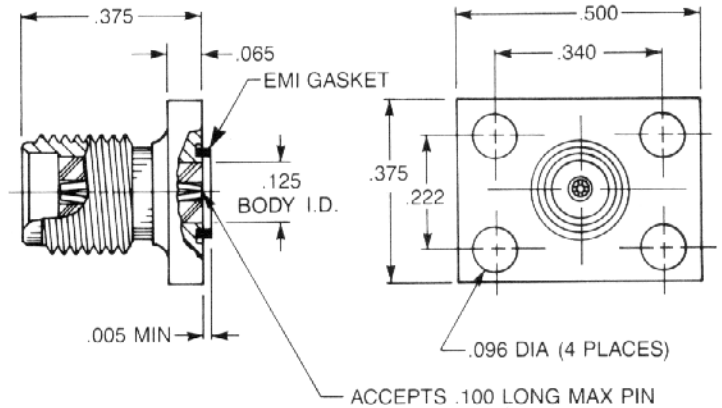
9068-9513-000

Optional packaging:

9168-9513-000 (Includes 920-56)

9268-9513-000 (Includes 920-56 and 907-111-2)

9368-9513-000 (Includes 907-111-2)



Straight Plug 1/2" Square Flange

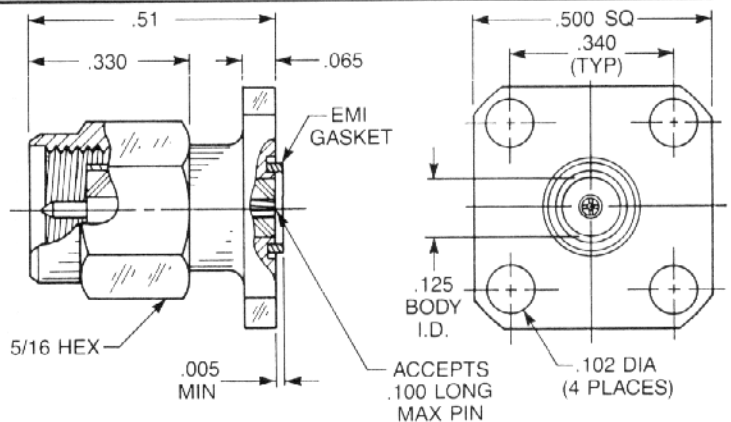
9051-9513-000

Optional packaging:

9151-9513-000 (Includes 920-56)

9251-9513-000 (Includes 920-56 and 907-111-2)

9351-9513-000 (Includes 907-111-2)



Straight Plug 2-Hole Flange

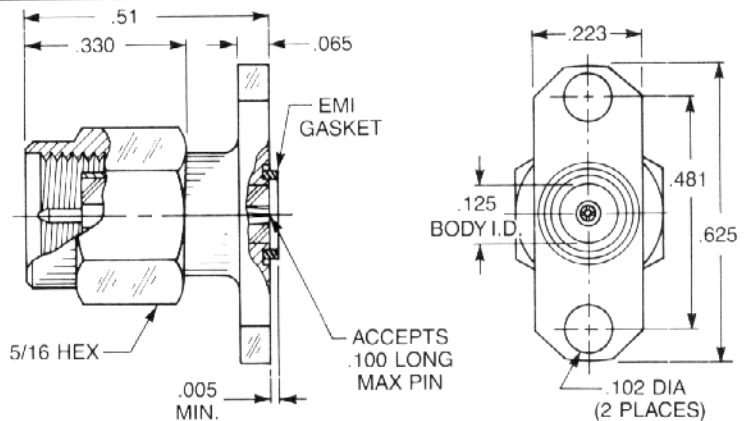
9050-9513-000

Optional packaging:

9150-9513-000 (Includes 920-56)

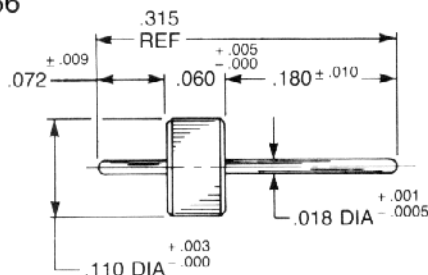
9250-9513-000 (Includes 920-56 and 907-111-2)

9350-9513-000 (Includes 907-111-2)



Solder-In Hermetic Seal

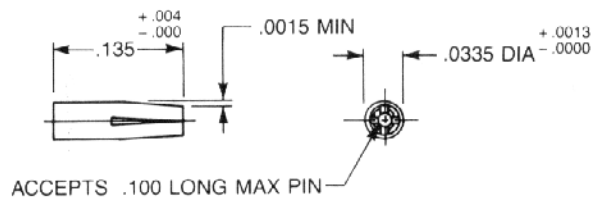
P/N 920-56



See page 45 for material and finish specifications and mounting dimensions.

Accessory Contact

P/N 907-111-2



Material: Beryllium copper
 Finish: Gold per MIL-G-45204, type II, class 1, grade C over .0001 copper per MIL-C-14450

These units accept pin diameters .016 to .020"

X-ON Electronics

Largest Supplier of Electrical and Electronic Components

Click to view similar products for [RF Connectors / Coaxial Connectors](#) category:

Click to view products by [Radiall](#) manufacturer:

Other Similar products are found below :

[8915-1511-000](#) [89674-0827](#) [6001-7071-019](#) [6002-7051-003](#) [6002-7551-202](#) [6059674-1](#) [619550-1](#) [630059-000](#) [M39030/3-01N](#) [6500-7071-046](#) [6769](#) [CX050L2AQ](#) [7002-1541-010](#) [7002-1542-011](#) [7004-1512-000](#) [7009-1511-004](#) [7010-1511-000](#) [7029-1511-060](#) [7101-1541-010](#) [7101-1571-002](#) [7145-1521-002](#) [7203-1571-003](#) [7209-1511-011](#) [7210-1511-015](#) [7210-1511-019](#) [73137-5015](#) [73216-2241](#) [73404-2300](#) [7405-1521-005](#) [7405-1521-802](#) [8527](#) [8547](#) [FS11V](#) [877931](#) [8808-1511-001](#) [9049-9513-000](#) [9074-9513-000](#) [9101-9573-002](#) [910A205F](#) [9130-9573-002](#) [PL11SC-026](#) [PL375-33](#) [PL40-5](#) [PL74C-221](#) [PL75MC-217](#) [PL803-7](#) [980-8666-005](#) [1200690078](#) [1-201144-1](#) [R107003010W](#)