

Straight Plug

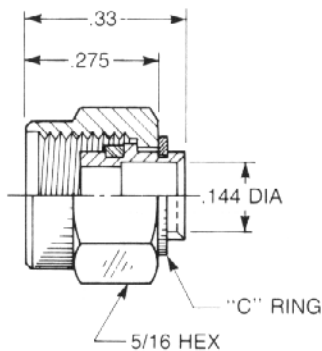
- Direct solder attachment
- Retractable coupling nut
- Cable center conductor used as contact

For .141" semi-rigid:

9301-1063-009 (Gold plated)

9301-7063-009 (Nickel plated)

QPL version available (M39012/92)



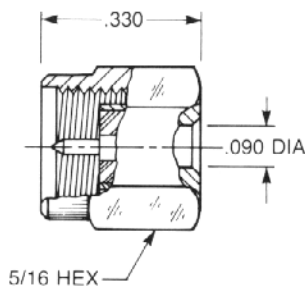
Straight Plug

- Direct solder attachment
- Retractable coupling nut
- Cable center conductor used as contact
- Stepped body for use in applications requiring frequent mating and unmating

For .141" semi rigid:

9301-1063-109 (Gold plated)

9301-7063-109 (Nickel plated)



Straight Plug

- Direct solder attachment
- Provided with contact and insulator
- Noncaptive contact
- Short body length allows very tight cable bend in dense packaging applications

For .085" semi-rigid:

9401-1083-210 (Gold plated)

9401-7083-210 (Nickel plated)

Straight Plug

- Direct solder attachment
- Provided with contact and insulator
- Noncaptive contact

For .085" semi-rigid (A = .089):

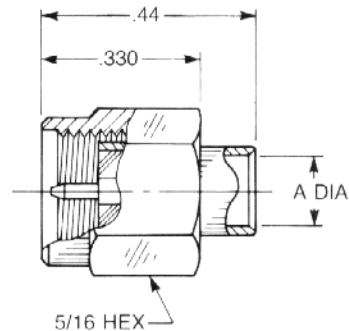
9401-1083-010 (Gold plated)

9401-7083-010 (Nickel plated)

For .141" semi-rigid (A = .144):

9401-1083-109 (Gold plated)

9401-7083-109 (Nickel plated)



Straight Plug

- Direct solder attachment
- Provided with contact and insulator
- Captive contact for one-step cable assembly

For .085" semi-rigid (A = .089):

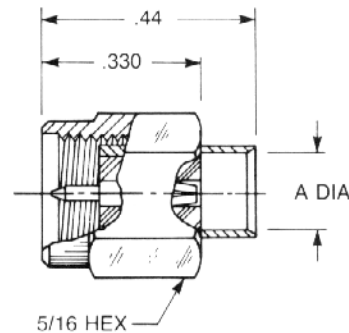
9401-1583-010 (Gold plated)

9401-7583-010 (Nickel plated)

For .141" semi-rigid (A = .144):

9401-1583-109 (Gold plated)

9401-7583-109 (Nickel plated)



Straight Plug

- Solder-clamp attachment
- Captive contact

For .085" semi-rigid:

9501-1593-010 (Gold plated)

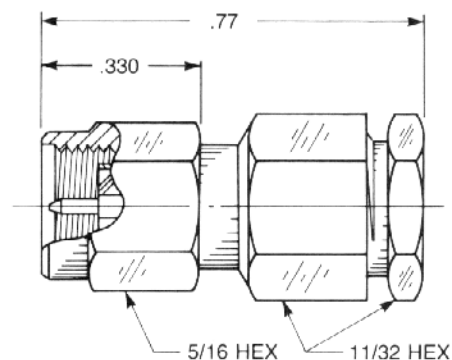
9501-9593-010 (Passivated)

For .141" semi-rigid:

9501-1593-009 (Gold plated)

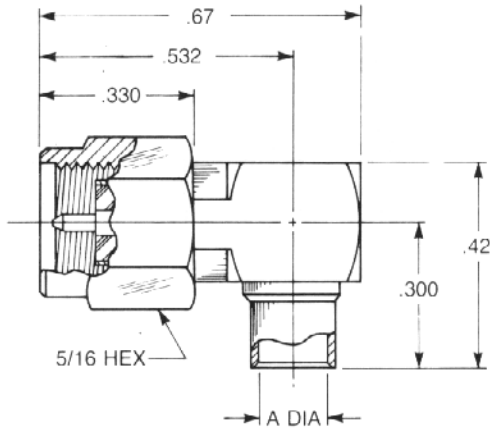
9501-9593-009 (Passivated)

QPL version available (M39012/79)



Right Angle Plug

- Direct solder attachment

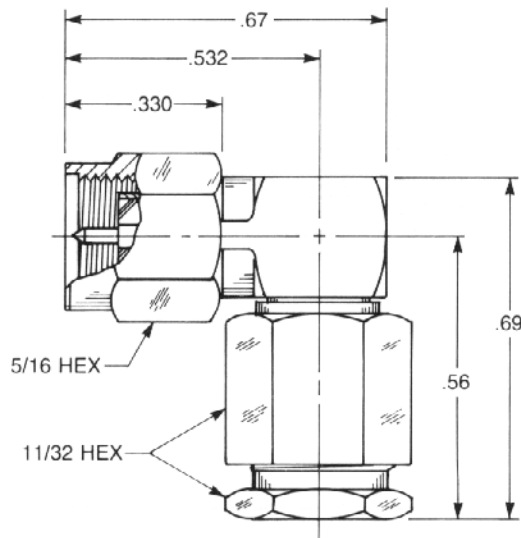


For .085" semi-rigid (A = .089):
9443-1563-010 (Gold plated)
9443-7563-010 (Nickel plated)

For .141" semi-rigid (A = .144):
9443-1563-009 (Gold plated)
9443-7563-009 (Nickel plated)

Right Angle Plug

- Solder-clamp attachment



For .085" semi-rigid:
9543-1593-010 (Gold plated)
9543-9593-010 (Passivated)

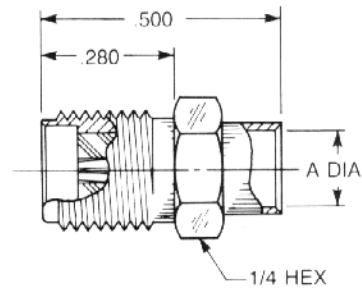
For .141" semi-rigid:
9543-1593-009 (Gold plated)
9543-9593-009 (Passivated)

Straight Jack

- Direct solder attachment
- Noncaptive contact

For .085" semi-rigid (A = .089):
9402-1083-010 (Gold plated)
9402-7083-010 (Nickel plated)

For .141" semi rigid (A = .144):
9402-1083-009 (Gold plated)
9402-7083-009 (Nickel plated)

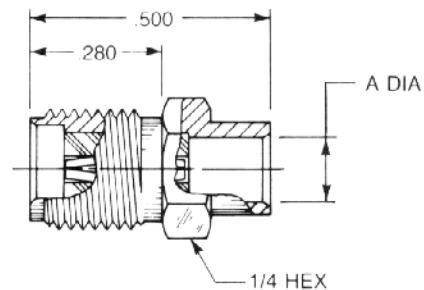


Straight Jack

- Direct solder attachment
- Captive contact for one-step cable assembly

For .085" semi-rigid (A = .089):
9402-1583-010 (Gold plated)
9402-7583-010 (Nickel plated)

For .141" semi-rigid (A = .144):
9402-1583-009 (Gold plated)
9402-7583-009 (Nickel plated)

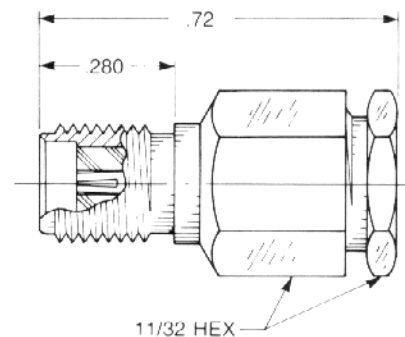


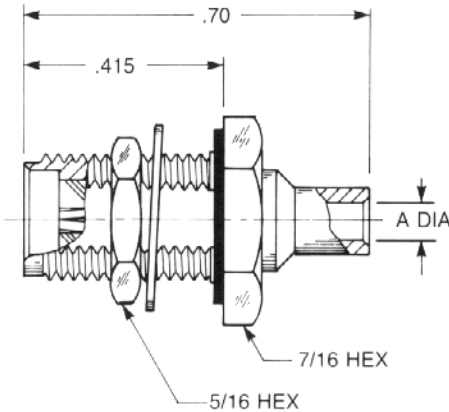
Straight Jack

- Solder-clamp attachment
- Captive contact

For .085" semi-rigid:
9502-1593-010 (Gold plated)
9502-9593-010 (Passivated)

For .141" semi-rigid:
9502-1593-009 (Gold plated)
9502-9593-009 (Passivated)




Straight Bulkhead Jack

- Direct solder attachment
- With mounting gasket
- Noncaptive contact

For .085" semi-rigid (A = .089)

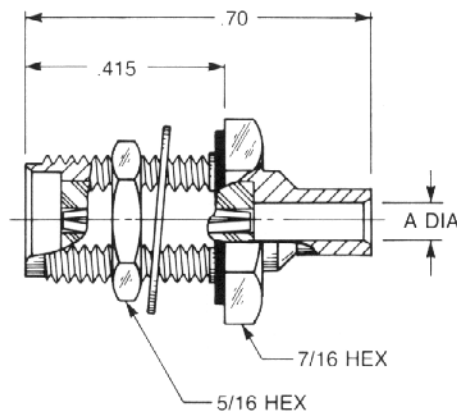
9453-1083-010 (Gold plated)

9453-7083-010 (Nickel plated)

For .141" semi-rigid (A = .144):

9453-1083-009 (Gold plated)

9453-7083-009 (Nickel plated)


Straight Bulkhead Jack

- Direct solder attachment
- With mounting gasket
- Captive contact for one-step cable assembly

For .085" semi-rigid (A = .089):

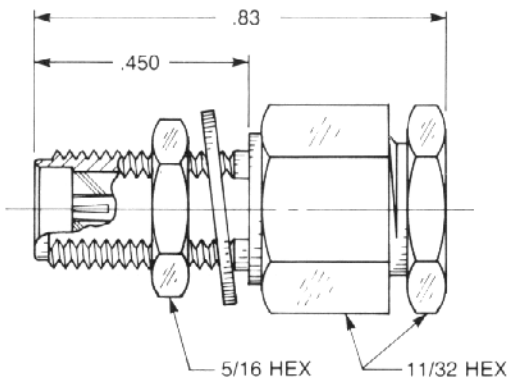
9453-1583-010 (Gold plated)

9453-7583-010 (Nickel plated)

For .141" semi-rigid (A = .144):

9453-1583-009 (Gold plated)

9453-7583-009 (Nickel plated)


Straight Bulkhead Jack

- Solder-clamp attachment
- Captive contact

For .085" semi-rigid:

9530-1593-010 (Gold plated)

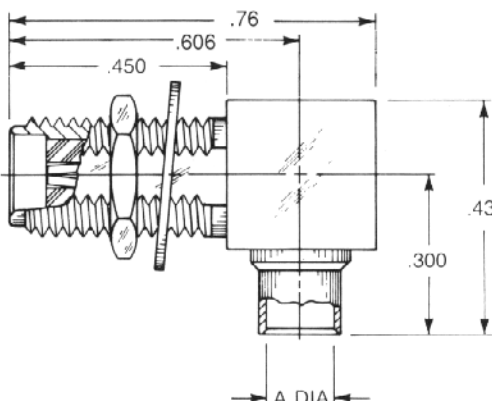
9530-9593-010 (Passivated)

For .141" semi-rigid:

9530-1593-009 (Gold plated)

9530-9593-009 (Passivated)

QPL version available (M39012/83)


Right Angle Bulkhead Jack

- Direct solder attachment

For .085" semi-rigid (A = .089):

9613-1563-010 (Gold plated)

9613-7563-010 (Nickel plated)

For .141" semi-rigid (A = .144):

9613-1563-009 (Gold plated)

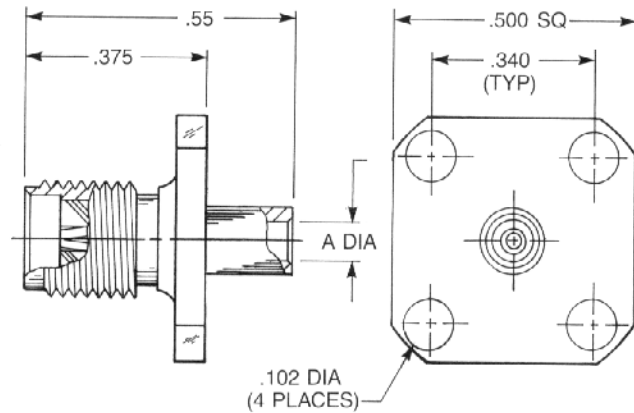
9613-7563-009 (Nickel plated)

Straight Panel Jack

- Direct solder attachment
- Square flange
- Noncaptive contact

For .085" semi-rigid (A = .089):
9431-1083-010 (Gold plated)
9431-7083-010 (Nickel plated)

For .141" semi-rigid (A = .144):
9431-1083-009 (Gold plated)
9431-7083-009 (Nickel plated)

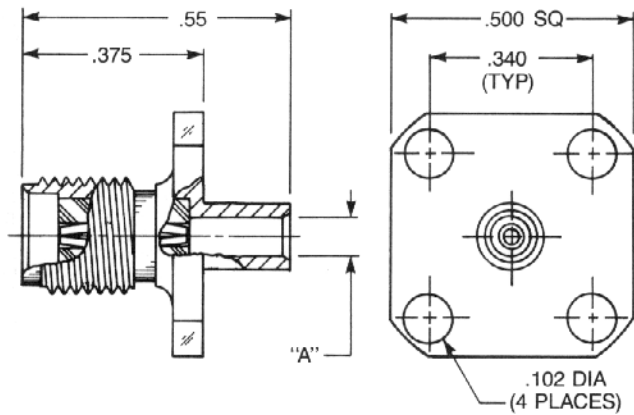


Straight Panel Jack

- Direct solder attachment
- Square flange
- Captive contact for one-step cable assembly

For .085" semi-rigid (A = .089):
9431-1583-010 (Gold plated)
9431-7583-010 (Nickel plated)

For .141" semi-rigid (A = .144):
9431-1583-009 (Gold plated)
9431-7583-009 (Nickel plated)

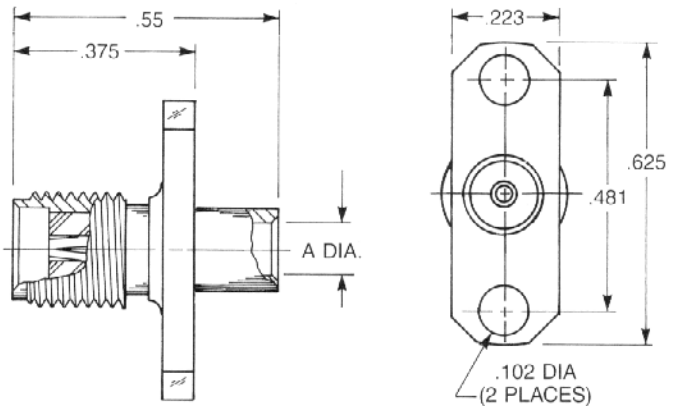


Straight Panel Jack

- Direct solder attachment
- 2-hole flange
- Noncaptive contact

For .085" semi-rigid (A = .089):
9441-1083-010 (Gold plated)
9441-7083-010 (Nickel plated)

For .141" semi-rigid (A = .144):
9441-1083-009 (Gold plated)
9441-7083-009 (Nickel plated)

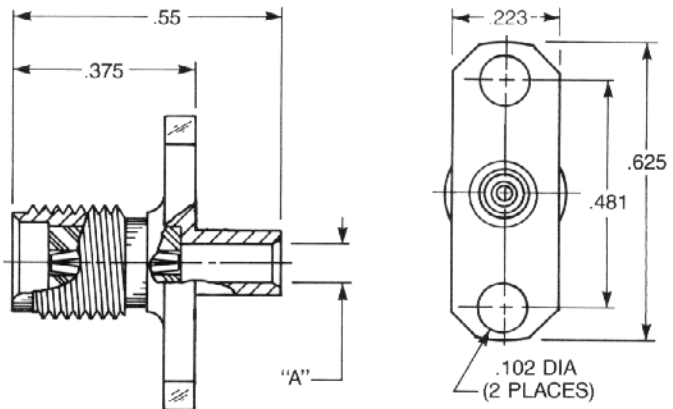


Straight Panel Jack

- Direct solder attachment
- 2-hole flange
- Captive contact for one-step cable assembly

For .085" semi-rigid (A = .089):
9441-1583-010 (Gold plated)
9441-7583-010 (Nickel plated)

For .141" semi-rigid (A = .144):
9441-1583-009 (Gold plated)
9441-7583-009 (Nickel plated)



X-ON Electronics

Largest Supplier of Electrical and Electronic Components

Click to view similar products for [RF Connectors](#) / [Coaxial Connectors](#) category:

Click to view products by [Radiall](#) manufacturer:

Other Similar products are found below :

[8915-1511-000](#) [89674-0827](#) [6001-7071-019](#) [6002-7051-003](#) [6002-7551-202](#) [6059674-1](#) [619550-1](#) [630059-000](#) [M39030/3-01N](#) [6500-7071-046](#) [6769](#) [CX050L2AQ](#) [7002-1541-010](#) [7002-1542-011](#) [7004-1512-000](#) [7009-1511-004](#) [7010-1511-000](#) [7029-1511-060](#) [7101-1541-010](#) [7101-1571-002](#) [7145-1521-002](#) [7203-1571-003](#) [7209-1511-011](#) [7210-1511-015](#) [7210-1511-019](#) [73137-5015](#) [73216-2241](#) [73404-2300](#) [7405-1521-005](#) [7405-1521-802](#) [8527](#) [8547](#) [FS11V](#) [877931](#) [8808-1511-001](#) [9074-9513-000](#) [9101-9573-002](#) [910A205F](#) [9130-9573-002](#) [PL11SC-026](#) [PL375-33](#) [PL40-5](#) [PL74C-221](#) [PL75MC-217](#) [PL803-7](#) [1200690078](#) [1-201144-1](#) [R107003010W](#) [R110A172100](#) [R112186000](#)