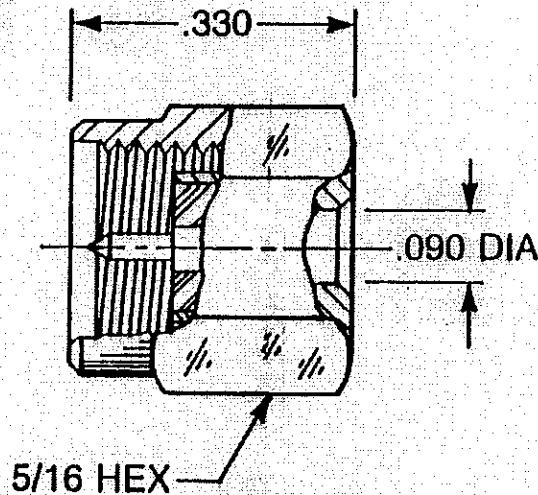


PROPRIETARY INFORMATION  
 NOT TO BE RELEASED  
 WITHOUT WRITTEN PERMISSION  
 FROM AN AUTHORIZED  
 REPRESENTATIVE OF  
 APPLIED ENGINEERING PRODUCTS.

REVISIONS			
LTR	DESCRIPTION	DATE	APPROVED



NOTES: CONFORMS TO MIL-C-39012 SMA SERIES

MATERIAL:

1. BODY & COUPLING NUT = STAINLESS STEEL, TYPE 303, COND. A PER ASTM A582.
2. CONTACT & SNAP RING = BERYLLIUM COPPER PER ASTM B196.
3. INSULATOR = VIRGIN WHITE TEFLON PER ASTM D1710.
4. GASKET = SILICON RUBBER PER ZZ-R-765 CLASS 2B, GRADE 65.

FINISHES:

1. BODY = GOLD PLATE PER MIL-G-45204 TYPE II, CLASS O, GRADE C OVER STRESS FREE NICKEL PER QQ-N-290.
2. COUPLING NUT = PASSIVATE PER QQ-P-35, TYPE VI.
3. CONTACT = GOLD PLATE PER MIL-G-45204 TYPE II, CLASS I, GRADE C OVER STRESS FREE NICKEL PER QQ-N-290.

UNLESS OTHERWISE SPECIFIED DIMENSIONS ARE IN INCHES TOLERANCES ON FRAC.   DECIMAL   ANGLES 1/64   ± .005   ± 2°	DRAWN D.N. 5-24-94	DATE 5-24-94		<b>APPLIED ENGINEERING PRODUCTS</b> 104 John W. Murphy Drive, P.O. Box 510 New Haven, CT 06513	
	CHECKED VPS	DATE 5-24-94	SMA STRAIGHT PLUG DIRECT SOLDER FOR .085 SEMI-RIGID CABLE WITH SEPARATE CENTER CONTACT		
MATERIAL:  SEE NOTES	APPROVED <i>[Signature]</i>	DATE 5/24/94	SIZE <b>A</b>	CODE IDENT NO. <b>19505</b>	9401-1083-210
	FINISH:  SEE NOTES	SCALE NONE		SHEET 1 OF 1	

Design Products Co. Clearprint #1000H

## X-ON Electronics

Largest Supplier of Electrical and Electronic Components

*Click to view similar products for [RF Connectors / Coaxial Connectors](#) category:*

*Click to view products by [Radiall](#) manufacturer:*

Other Similar products are found below :

[8915-1511-000](#) [89674-0827](#) [6001-7071-019](#) [6002-7051-003](#) [6002-7551-202](#) [6059674-1](#) [619550-1](#) [630059-000](#) [M39030/3-01N](#) [6500-7071-046](#) [6769](#) [CX050L2AQ](#) [7002-1541-010](#) [7002-1542-011](#) [7004-1512-000](#) [7009-1511-004](#) [7010-1511-000](#) [7029-1511-060](#) [7101-1541-010](#) [7101-1571-002](#) [7145-1521-002](#) [7203-1571-003](#) [7209-1511-011](#) [7210-1511-015](#) [7210-1511-019](#) [73137-5015](#) [73216-2241](#) [73404-2300](#) [7405-1521-005](#) [7405-1521-802](#) [8527](#) [8547](#) [FS11V](#) [877931](#) [9049-9513-000](#) [9074-9513-000](#) [9101-9573-002](#) [910A205F](#) [9130-9573-002](#) [PL11SC-026](#) [PL375-33](#) [PL40-5](#) [PL74C-221](#) [PL75MC-217](#) [PL803-7](#) [980-8666-005](#) [1200690078](#) [1-201144-1](#) [R107003010W](#) [R110A172100](#)