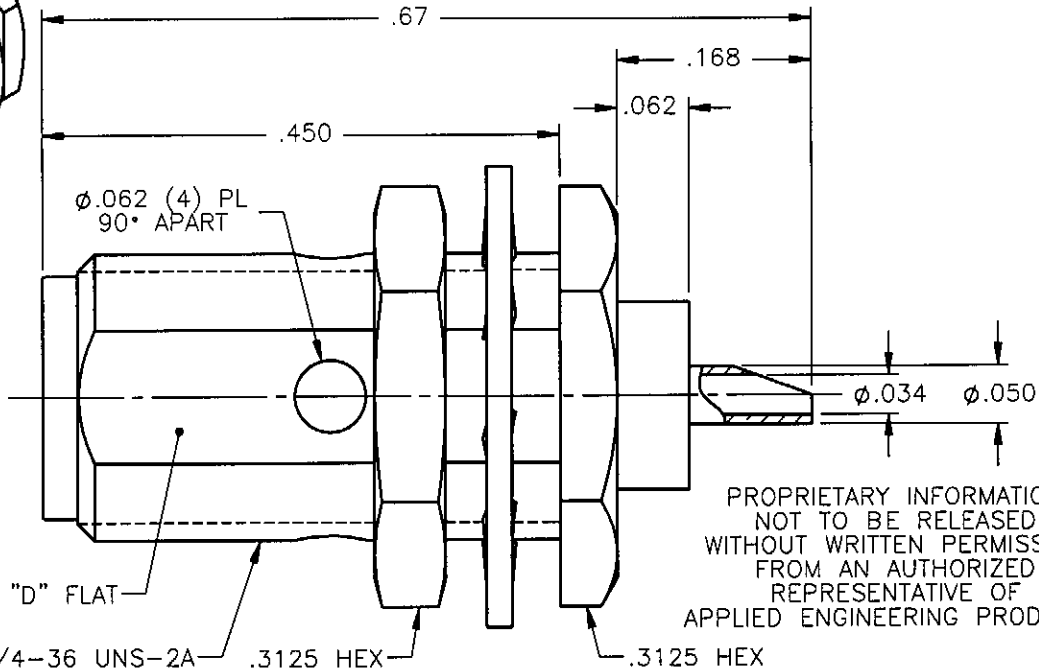
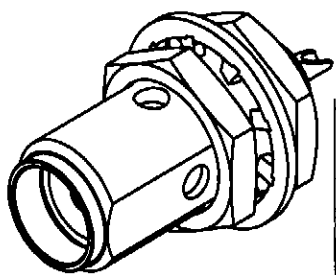


REVISIONS			
REV.	DESCRIPTION	DATE	APPROVED
A	ECO #6661	05/08/07	D.N.



PROPRIETARY INFORMATION  
NOT TO BE RELEASED  
WITHOUT WRITTEN PERMISSION  
FROM AN AUTHORIZED  
REPRESENTATIVE OF  
APPLIED ENGINEERING PRODUCTS

NOTES:

MATERIALS:

1. BODY & NUT = STAINLESS STEEL PER ASTM A582, ALLOY 303, CONDITION "A".
2. INSULATOR = VIRGIN WHITE TEFLON PER ASTM D1710, GRADE 1, TYPE I, CLASS "B".
3. CONTACT = BERYLLIUM COPPER PER ASTM B196, ALLOY C17300, TEMPER TD04.
4. LOCKWASHER = PHOSPHOR BRONZE PER ASTM B139, COPPER ALLOY C53400, TEMPER H04.

FINISHES:

1. BODY & NUT = GOLD PLATE PER MIL-G-45204, TYPE II, CLASS 0, GRADE C, OVER .000050 TO .00010 STRESS FREE NICKEL PER QQ-N-290.
2. CONTACT = GOLD PLATE PER MIL-G-45204, TYPE II, CLASS 1, GRADE C, OVER .00010 TO .00020 STRESS FREE SULFAMATE NICKEL PER QQ-N-290.
3. LOCKWASHER = GOLD PLATE PER MIL-G-45204, TYPE II, CLASS 0, GRADE C, OVER .00010 TO .00020 COPPER STRIKE PER MIL-C-14550.

ELECTRICALS:


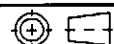
INSERTION LOSS =  $.05 \times \sqrt{F(\text{GHz})}$ . COAXIAL TRANSMISSION LINE ONLY.  
 VSWR =  $1.04 + .004 \times F(\text{GHz})$ .  
 IMPEDANCE = 50 ohms.  
 FREQUENCY RANGE = DC TO 18GHz.

ENVIRONMENTAL:

VIBRATION: METHOD 204, TEST CONDITION D.  
 MECHANICAL SHOCK = METHOD 213, CONDITION I.  
 THERMAL SHOCK = METHOD 107, CONDITION B.  
 CORROSION = METHOD 101, CONDITION B, 5% SALT SOLUTION.  
 MOISTURE RESISTANCE = METHOD 106.  
 CORONA LEVEL = CORONA FREE @ 70,000 FEET.  
 TEMPERATURE RATING = -65°C TO +165°C.

MECHANICAL:

CENTER CONTACT RETENTION = 6 LBS.

UNLESS OTHERWISE SPECIFIED DIMENSIONS ARE IN INCHES TOLERANCES ON	DWN: DATE	 <b>APPLIED ENGINEERING PRODUCTS</b> 104 John W. Murphy Dr. New Haven, CT 06513 <b>RADIALL company</b>	<b>SMA STRAIGHT JACK          BULKHEAD REAR MOUNT          SOLDER POT RECEPTACLE</b>
	D.N. 05/08/07		
DECIMAL	CHKD: DATE	SIZE FSCM NO. DWG NO. REV <b>A 19505 9412-1113-000 A</b>	
ANGLE	A.D.M. 05/08/07		
REFERENCE:	APVD: DATE	SCALE 6:1 THIRD ANGLE PROJECTION  SHEET 1 OF 1	
ORIGINATED: P.J.P. DATE: 09/01/83	J.M. 05/08/07		
	MATERIALS & FINISHES: SEE NOTES		

9412-1113-000

## X-ON Electronics

Largest Supplier of Electrical and Electronic Components

*Click to view similar products for [RF Connectors / Coaxial Connectors](#) category:*

*Click to view products by [Radiall](#) manufacturer:*

Other Similar products are found below :

[8915-1511-000](#) [89674-0827](#) [6001-7071-019](#) [6002-7051-003](#) [6002-7551-202](#) [6059674-1](#) [619550-1](#) [630059-000](#) [M39030/3-01N](#) [6500-7071-046](#) [6769](#) [CX050L2AQ](#) [7002-1541-010](#) [7002-1542-011](#) [7004-1512-000](#) [7009-1511-004](#) [7010-1511-000](#) [7029-1511-060](#) [7101-1541-010](#) [7101-1571-002](#) [7145-1521-002](#) [7203-1571-003](#) [7209-1511-011](#) [7210-1511-015](#) [7210-1511-019](#) [73137-5015](#) [73216-2241](#) [73404-2300](#) [7405-1521-005](#) [7405-1521-802](#) [8527](#) [8547](#) [FS11V](#) [877931](#) [8808-1511-001](#) [9049-9513-000](#) [9074-9513-000](#) [9101-9573-002](#) [910A205F](#) [9130-9573-002](#) [PL11SC-026](#) [PL375-33](#) [PL40-5](#) [PL74C-221](#) [PL75MC-217](#) [PL803-7](#) [980-8666-005](#) [1200690078](#) [1-201144-1](#) [R107003010W](#)