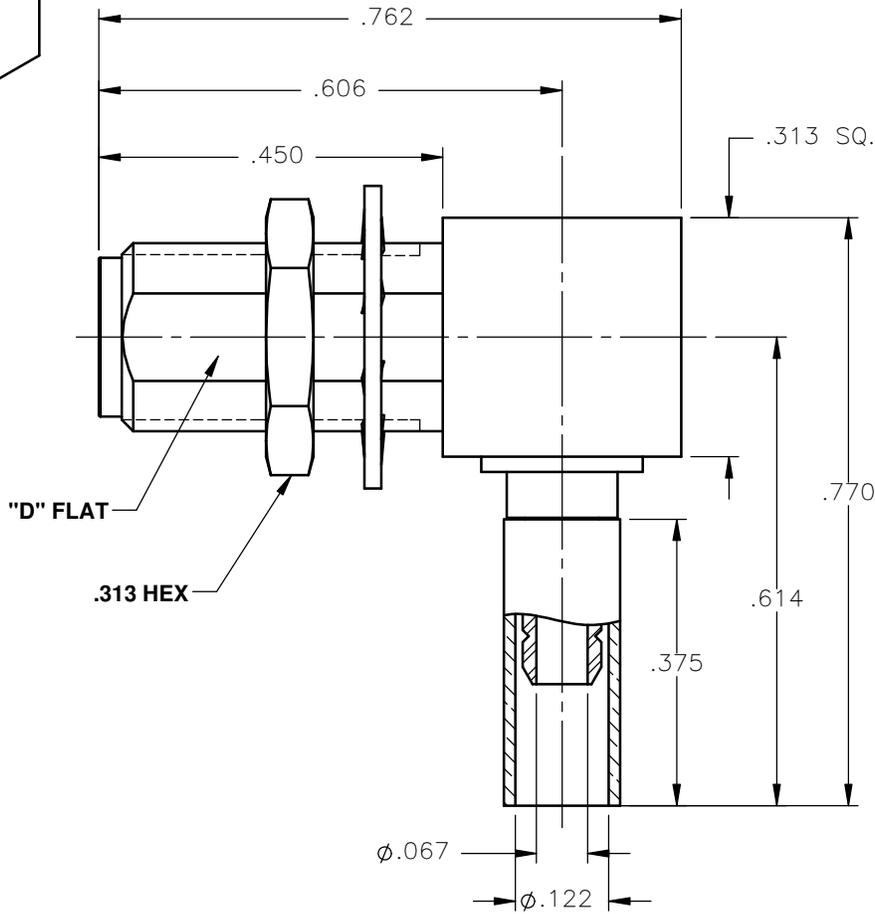
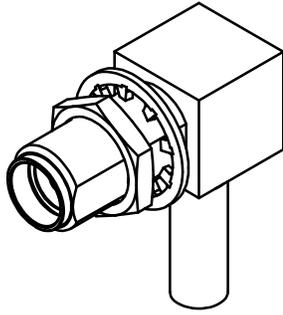


REVISIONS			
REV.	DESCRIPTION	DATE	APPROVED
A	INITIAL RELEASE	05/03/11	J.S.



**NOTES:**

**MATERIALS:**

- BODIES & NUT = STAINLESS STEEL PER ASTM A582, ALLOY 303, CONDITION "A".
- INSULATORS = VIRGIN WHITE TEFLON PER ASTM D1710, GRADE 1, TYPE I, CLASS "B".
- CONTACT = BERYLLIUM COPPER PER ASTM B196, ALLOY C17300, TEMPER TD04.
- CAP = BRASS PER ASTM B16, ALLOY C36000, TEMPER H02.
- LOCKWASHER = PHOSPHOR BRONZE PER ASTM B139, COPPER ALLOY C53400, TEMPER H04.
- CRIMP SLEEVE = SEAMLESS LOWLEAD BRASS TUBE, ALLOY 330, SOFT ANNEAL TEMPER, .025/.060 GRAIN SIZE OR SEAMLESS COPPER TUBE PER ASTM B75, TYPE C12000, TEMPER: LIGHT ANNEAL O50 EXCEPT YIELD STRENGTH.
- SHRINK SLEEVE = THERMOFIT SCL, BLACK (NOT SHOWN)

**FINISHES:**

- BODIES & NUT = GOLD PLATE PER MIL-G-45204, TYPE II, CLASS 0, GRADE C, OVER .000050 TO .00010 STRESS FREE NICKEL PER QQ-N-290.
- CONTACT = GOLD PLATE PER MIL-G-45204, TYPE II, CLASS 1, GRADE C, OVER .00010 TO .00020 STRESS FREE SULFAMATE NICKEL PER QQ-N-290.
- ALL OTHER METAL PARTS = GOLD PLATE PER MIL-G-45204, TYPE II, CLASS 0, GRADE C, OVER .00010 TO .00020 COPPER STRIKE PER MIL-C-14550.

UNLESS OTHERWISE SPECIFIED DIMENSIONS ARE IN INCHES TOLERANCES ON	DWN: J.S.	DATE: 05/03/11	 <p><b>Property of Radiall</b> This document cannot be reproduced or communicated to a third party without prior written permission of RADIALL.</p>								
	CHKD: D.N.	DATE: 05/03/11									
DECIMAL	ANGLE	APVD: J.M.	DATE: 05/03/11								
REFERENCE:		MATERIALS & FINISHES:	<p>SMA RIGHT ANGLE JACK BULKHEAD MOUNT CRIMP TYPE FOR RG-316 &amp; SIMILAR CABLES</p>								
ORIGINATED: J.S. DATE: 05/03/11		SEE NOTES	<table border="1"> <tr> <td>SIZE: A</td> <td>FSCM NO.: 19505</td> <td>DWG NO.: 9613-1523-003</td> <td>REV: A</td> </tr> <tr> <td colspan="2">SCALE: 4:1</td> <td>THIRD ANGLE PROJECTION</td> <td>SHEET 1 OF 1</td> </tr> </table>	SIZE: A	FSCM NO.: 19505	DWG NO.: 9613-1523-003	REV: A	SCALE: 4:1		THIRD ANGLE PROJECTION	SHEET 1 OF 1
SIZE: A	FSCM NO.: 19505	DWG NO.: 9613-1523-003	REV: A								
SCALE: 4:1		THIRD ANGLE PROJECTION	SHEET 1 OF 1								

9613-1523-003

## X-ON Electronics

Largest Supplier of Electrical and Electronic Components

*Click to view similar products for [RF Connectors](#) / [Coaxial Connectors](#) category:*

*Click to view products by [Radiall](#) manufacturer:*

Other Similar products are found below :

[8915-1511-000](#) [89674-0827](#) [6001-7071-019](#) [6002-7051-003](#) [6002-7551-202](#) [6059674-1](#) [619550-1](#) [630059-000](#) [M39030/3-01N](#) [6500-7071-046](#) [6769](#) [CX050L2AQ](#) [7002-1541-010](#) [7002-1542-011](#) [7004-1512-000](#) [7009-1511-004](#) [7010-1511-000](#) [7029-1511-060](#) [7101-1541-010](#) [7101-1571-002](#) [7145-1521-002](#) [7203-1571-003](#) [7209-1511-011](#) [7210-1511-015](#) [7210-1511-019](#) [73137-5015](#) [73216-2241](#) [73404-2300](#) [7405-1521-005](#) [7405-1521-802](#) [8527](#) [8547](#) [FS11V](#) [877931](#) [8808-1511-001](#) [9074-9513-000](#) [9101-9573-002](#) [910A205F](#) [9130-9573-002](#) [PL11SC-026](#) [PL375-33](#) [PL40-5](#) [PL74C-221](#) [PL75MC-217](#) [PL803-7](#) [1200690078](#) [1-201144-1](#) [R107003010W](#) [R110A172100](#) [R112186000](#)