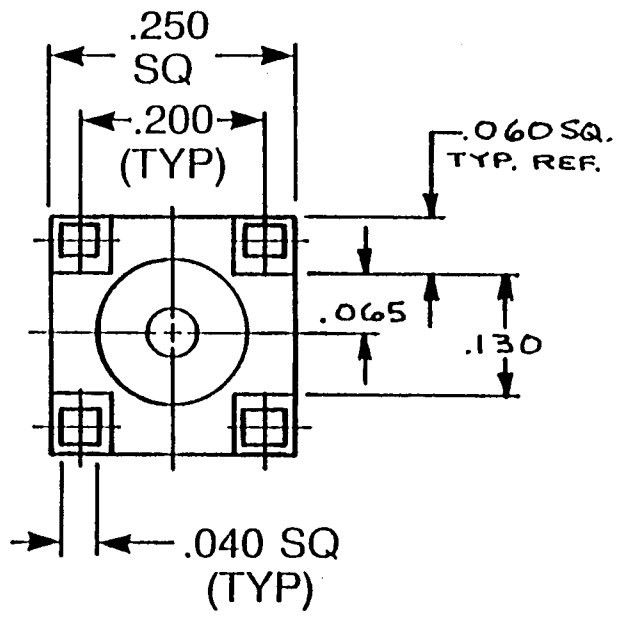
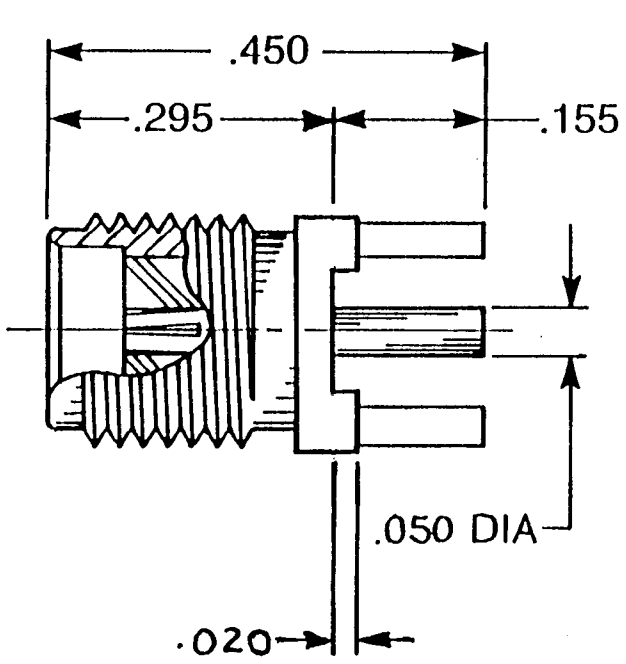


REVISIONS			
LTR	DESCRIPTION	DATE	APPROVED



NOTES: CONFORMS TO MIL-C-39012 SMA SERIES

MATERIAL:

1. BODY = STAINLESS STEEL TYPE 303, COND. A PER ASTM A582.
2. CONTACT = BERYLLIUM COPPER PER ASTM B196.
3. INSULATOR = TEFLON TFE PER ASTM D1710.

FINISHES:

1. BODY = GOLD PLATE PER MIL-G-45204 TYPE II, CLASS 0, GRADE C OVER STRESS FREE NICKEL PER QQ-N-290.
2. CONTACT = GOLD PLATE PER MIL-G-45204 TYPE II, CLASS I, GRADE C OVER STRESS FREE NICKEL PER QQ-N-290.

**PROPRIETARY INFORMATION
NOT TO BE RELEASED
WITHOUT WRITTEN PERMISSION
FROM AN AUTHORIZED
REPRESENTATIVE OF
APPLIED ENGINEERING PRODUCTS.**

UNLESS OTHERWISE SPECIFIED DIMENSIONS ARE IN INCHES TOLERANCES ON FRAC. 1/64 DECIMAL ANGLES ± 2°	DRAWN	DATE	APPLIED ENGINEERING PRODUCTS 104 John W. Murphy Drive, P.O. Box 510 New Haven, CT 06513		
	D.N.	5-28-96			
MATERIAL: SEE NOTES	CHECKED	DATE	SMA PRINTED CIRCUIT MOUNT JACK		
	<i>VPS</i>	5-29-96			
SEE NOTES	APPROVED	DATE	SIZE	CODE IDENT NO.	9650-1113-050
	<i>[Signature]</i>	5/29/96	A	19505	
SEE NOTES	FINISH:	SEE NOTES	SCALE	5:1	SHEET 1 OF 1

X-ON Electronics

Largest Supplier of Electrical and Electronic Components

Click to view similar products for [RF Connectors / Coaxial Connectors](#) category:

Click to view products by [Radiall](#) manufacturer:

Other Similar products are found below :

[8915-1511-000](#) [89674-0827](#) [6001-7071-019](#) [6002-7051-003](#) [6002-7551-202](#) [6059674-1](#) [619550-1](#) [630059-000](#) [M39030/3-01N](#) [6500-7071-046](#) [6769](#) [CX050L2AQ](#) [7002-1541-010](#) [7002-1542-011](#) [7004-1512-000](#) [7009-1511-004](#) [7010-1511-000](#) [7029-1511-060](#) [7101-1541-010](#) [7101-1571-002](#) [7145-1521-002](#) [7203-1571-003](#) [7209-1511-011](#) [7210-1511-015](#) [7210-1511-019](#) [73137-5015](#) [73216-2241](#) [73404-2300](#) [7405-1521-005](#) [7405-1521-802](#) [8527](#) [8547](#) [FS11V](#) [877931](#) [8808-1511-001](#) [9074-9513-000](#) [9101-9573-002](#) [910A205F](#) [9130-9573-002](#) [PL11SC-026](#) [PL375-33](#) [PL40-5](#) [PL74C-221](#) [PL75MC-217](#) [PL803-7](#) [1200690078](#) [1-201144-1](#) [R107003010W](#) [R110A172100](#) [R112186000](#)