

**Description:**  
90° plug bayonet connector

**Reference documents:**  
-Mil-DTL-5015 (where applicable)  
-VG 95234 (where applicable)  
-EN 60529  
-European Directive 2011/65/UE (RoHS)

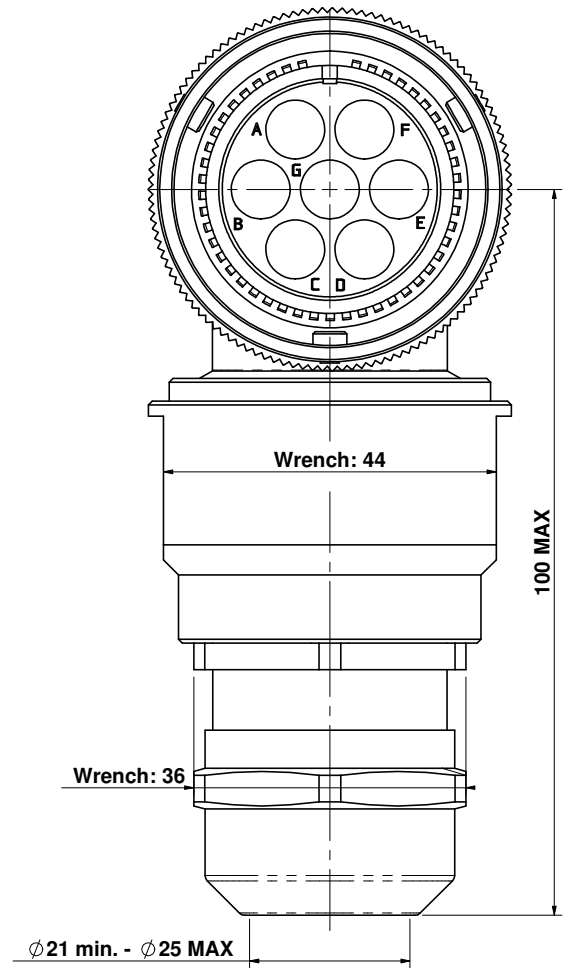
**General characteristics:**  
Contacts arrangement: 24-10  
Contacts nr: 7 size 8- crimp-female for cable 8 AWG  
Working temperature: -40°C ÷ +100°C  
Protection degree: IP 67 (mated connectors) according to EN 60529  
RoHS compliant

**Connector supplied with:**  
- Grounding finger  
- 90° backshell  
- Metallic adapter with internal M32x1.5 metric thread  
- Metallic M32x1.5 cable gland (AGRO Progress® EMC with contact sleeve)

**Electrical characteristics:**  
Nominal voltage: 500Vac/700Vdc (service A)  
Test Voltage: 2.000Vac

**Current rating, single contact:**  
With ambient temperature 20°C: 73A  
With ambient temperature 80°C: 46A

**Materials and finishes:**  
Shells: aluminum alloy - Protective finish: CCF black (conductive)  
Cable gland + contact sleeve: brass alloy - Protective finish: nickel-plated  
Insulating rubber parts: chloroprene rubber  
Contacts: copper alloy - Plating: silver 3.5µ min.



**Tool list:**  
Crimping tool: VS610003 (CRT-HT45)  
Crimping die: VS610010 (CDI-ME2)  
Insertion tool: VS610024 (CTIN-784-8)  
Extraction tool: VS610034 (CTES-784-8)

revision 0	Date 23/10/20	Note
<p>Van-System s.r.l. Via Zambelletti 19 Baranzate - MI Italia</p>		Description CVB 98DA 24-10S MH32E CR F16 S387
Attached	Drawing N° C1200-04322	Scale 1 : 1 Drawn by A. Nolli Checked Approved

This copyrighted document is the property of Van-System srl and is furnished on the condition that it is not to be disclosed, reproduced in whole or in part, or used to solicit quotations from competitive sources, or used for manufacture by anyone other than Van-System srl without written permission from Van-System srl. The information herein has been developed at Van-System's expense and may be used for engineering evaluation and incorporation into technical specifications and other documents which specify procurement of products from Van-System srl

## X-ON Electronics

Largest Supplier of Electrical and Electronic Components

*Click to view similar products for [Circular MIL Spec Connector](#) category:*

*Click to view products by [Radiall](#) manufacturer:*

Other Similar products are found below :

[0025-262-542](#) [0025-264-3014](#) [58-570121-04S](#) [0134-202-1200](#) [0134-207-1206](#) [0134-207-1800](#) [0134-207-2207](#) [0134-213-0806](#) [0134-213-1007](#) [0134-213-1009](#) [0134-213-1208](#) [0134-213-1800](#) [0134-213-2209](#) [0025-258-000](#) [015-9516-002](#) [60-042217-10P](#) [60-042722-19P](#) [0114-201-1278](#) [602GB06EG24-61SN](#) [0134-201-1207](#) [0134-201-1806](#) [0134-201-2006](#) [0134-201-2007](#) [0134-201-2010](#) [0134-202-1400](#) [0134-207-0809](#) [0134-207-1208](#) [0134-207-2009](#) [0134-213-1006](#) [6104-207-2302](#) [6104-208-1902](#) [6131-202-19149P](#) [6131-204-21149P](#) [6131-207-13149P](#) [6131-208-13149P](#) [6131-209-17149P](#) [6131-210-11149P](#) [6131-211-19149P](#) [6131-216-19149P](#) [6131-220-25149P](#) [6131-259-11149P](#) [6131-259-21149P](#) [6131-259-23149P](#) [6131-263-19149P](#) [6131-265-17149P](#) [6131-265-19149P](#) [CS3102A-20-15P](#) [CS3102A-20-15S](#) [CS3102A-28-15S](#) [CS3106A-10SL-53S](#)