

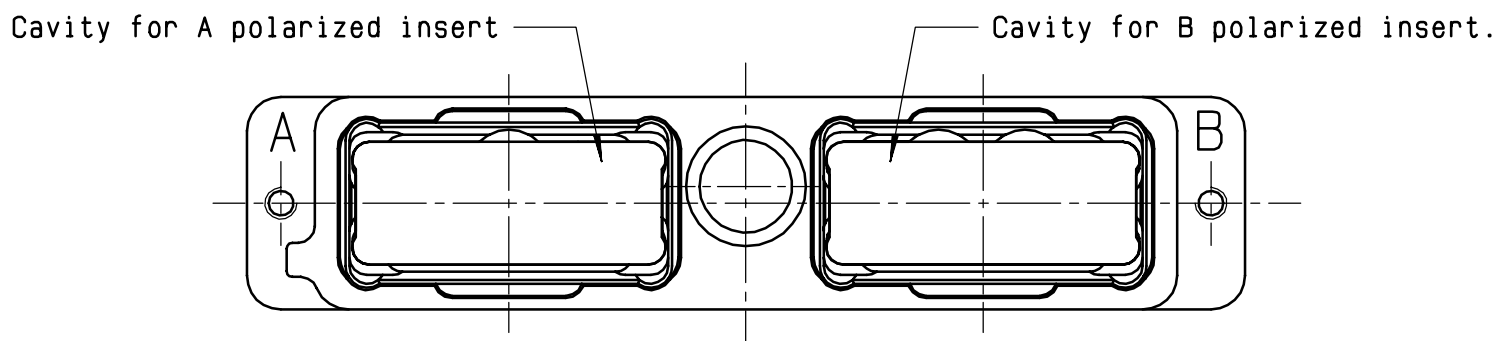
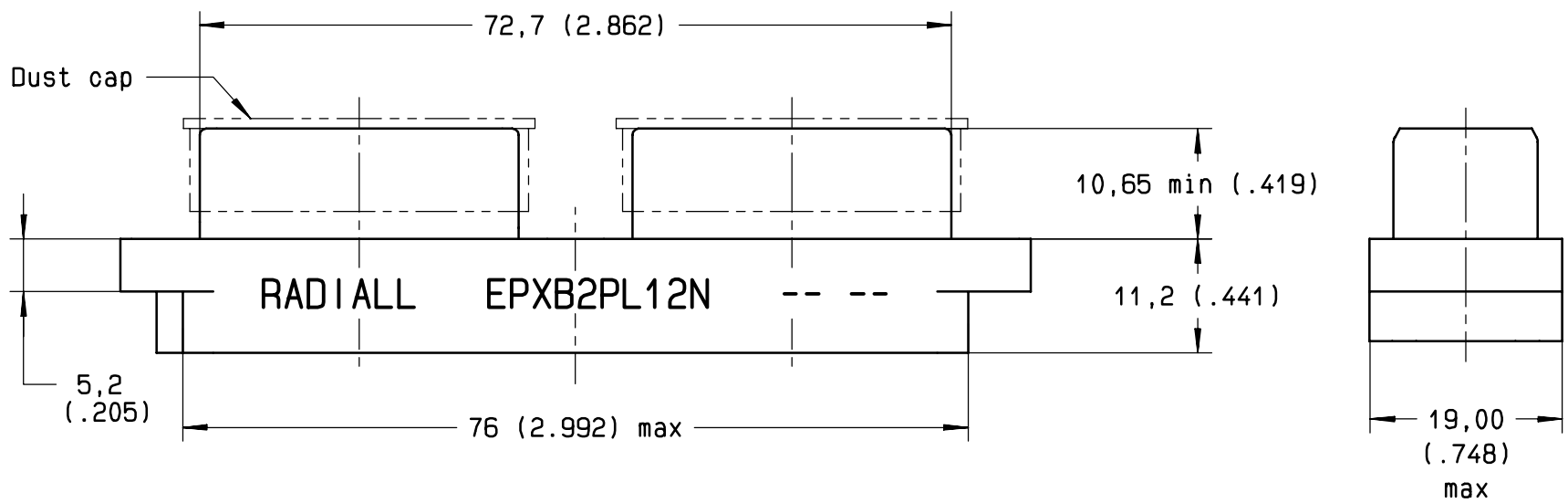
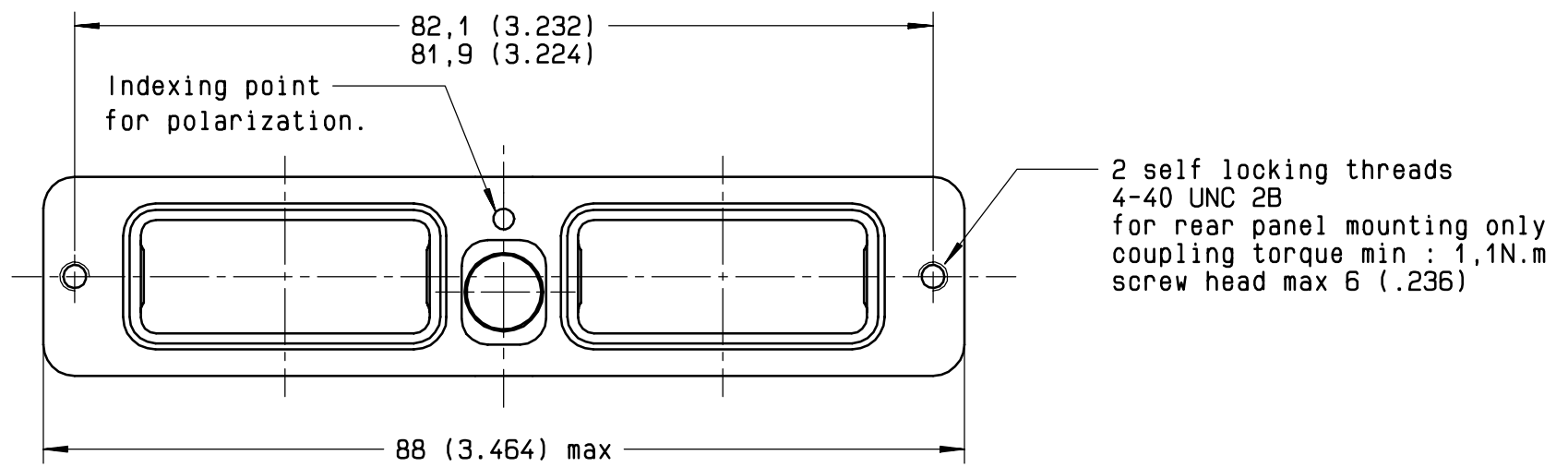


Series
EPXB

SIZE 2 PLUG CONNECTOR

Issue:
Nov. 26, 2002

Page
1 / 1



Materials and finishes:

- Shell: aluminium alloy 6061 T651; electrolytic nickel flash over electroless nickel per ISO 4527.
- Jackscrew: stainless steel AISI 316 (non passivated).
- Insert retention clip: beryllium copper per ASTM-B-194.

Notes:

- .1- Connector supplied with jackscrew for A, B, C, D, E and F polarization P/N: 617 980 012, uninstalled.
- .2- For side by side mounting, use a 19,50 (.768) min pitch.
- .3- The jackscrew has to be locked with resin by the customer.

DIMENSIONS : mm (inch) -

This information is given as an indication. In the continual goal to improve our products, we reserve the right to make any modifications judged necessary.

4112-9610

CREATION				
PEN:				
NOM: G.Chevreau				
DATE: Oct. 23, 00				
APPR.: G.Motteau				
	Nov 26.02	Modif of 4-40 threads and shell to prevent front panel mounting	S.Couthon	L.Garcia
		Revisions	Name	Approved

X-ON Electronics

Largest Supplier of Electrical and Electronic Components

Click to view similar products for [Rack & Panel Connectors](#) category:

Click to view products by [Radiall](#) manufacturer:

Other Similar products are found below :

[00171410002](#) [00171420202](#) [00171440002](#) [02-014-013-5200-000](#) [613467-000](#) [CTJ112E01E-513](#) [CTJ116E03A-513](#) [66020-2](#) [CW8958-000](#)
[699886-000](#) [D250-50632](#) [70.400.3240.0](#) [70.955.2453.3](#) [733753-000](#) [F22831-000](#) [780-522-DPX34RG8-02](#) [8660-501](#) [87.060.0053.0](#)
[900709N001](#) [928358-1](#) [D-659-0061](#) [1-445717-6](#) [1484469-2](#) [1604997-2](#) [MTC100-BF1-P31CS015](#) [MTC100-KT2-0083](#) [MTC100-KT2-0123-](#)
[003](#) [MTC100-YA1-005](#) [MTC PQKT1R2PGCA](#) [MTCR-103-04S](#) [MTCX1X-100-100CS025](#) [1738331-1](#) [1757667-1](#) [1811481-1](#) [1883433-1](#)
[201046-7](#) [202648-4](#) [205269-1](#) [213364-1](#) [226503-000](#) [937028-164](#) [1663130-2](#) [172305-4](#) [AC-660022-701BP](#) [F36711-000](#) [202355-2](#) [202356-](#)
[2](#) [G16S-A](#) [G20S-AB](#) [CHA-0017-003](#)