

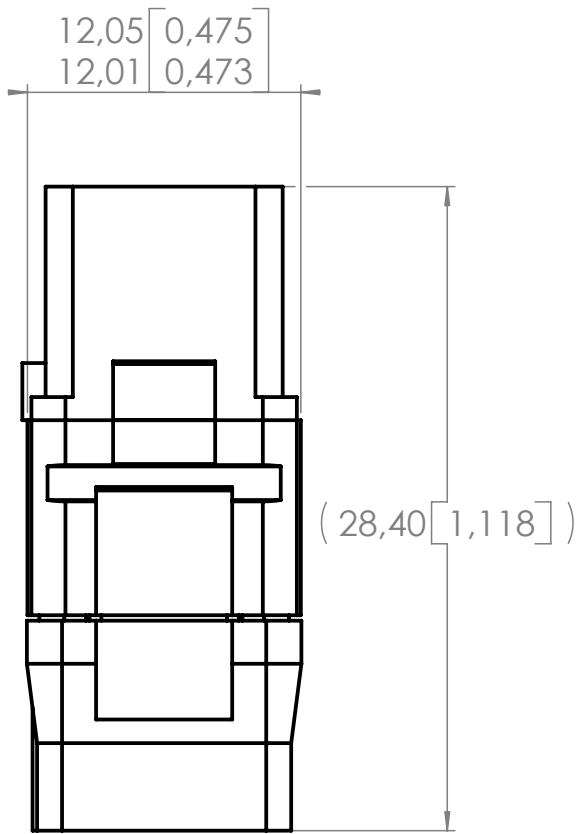
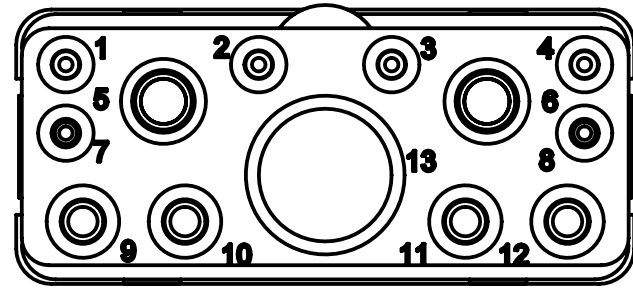
Series
EPXB

13P1 ENVIRONMENTAL INSERT FOR SOCKET CONTACTS - POLARIZATION A
WITH 2 SIZE 12 , 4 SIZE 16 , 6 SIZE 20 CAVITIES
AND 1 CAVITY FOR 5 POWER SOCKET CONTACTS (P/N: 617 390 XXX, 617 370 XXX AND 617 382 XXX).

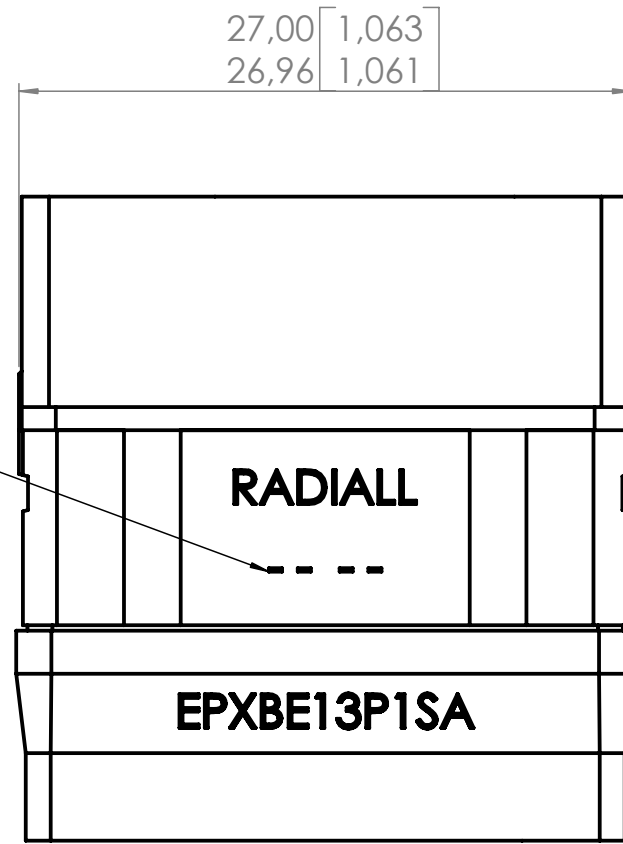
Issue:
April 20 2007

Page
1/1

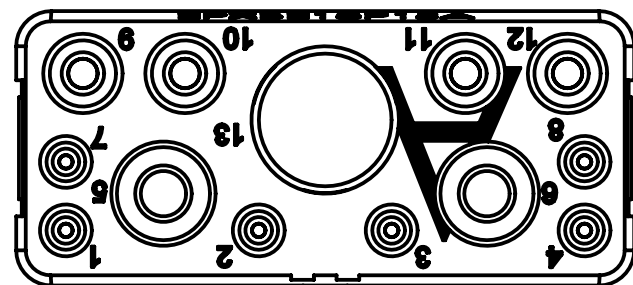
FRONT VIEW



DATE CODE



REAR VIEW



Materials

- Insert : thermosetting fiberglass filled per ASTM D 5948-96, with metallic retention clips per ASTM-B-194
- Rear grommet : fluorosilicone elastomer per MIL-R-25988 B except 4.6.6.1

Temperature range : -65°C +175°C (-85°F +347°F)

DIMENSIONS : mm (inch are given for information only)



Confidential information not to be disclosed to third parties without Radial approval. This information is given as an indication. In the continual goal to improve our products, we reserve the right to make any modifications judged necessary.

4112_9311

CREATION				
PEN: M060009453A				
NOM: LE GLOAHEC				
DATE: Mar 03, 2006	Apr 20 2007	0.475 was 0.474	MALTY	M.Pessard
APPR.: PESSARD	Nov. 6, 06	Size 5 cavity updated.	L.Garcia	PESSARD
	Issue	Revisions	Name	Approved

X-ON Electronics

Largest Supplier of Electrical and Electronic Components

Click to view similar products for [Heavy Duty Power Connectors](#) category:

Click to view products by [Radiall](#) manufacturer:

Other Similar products are found below :

[647757-1](#) [6643411-1](#) [6646058-2](#) [6646137-1](#) [6646138-1](#) [6646479-1](#) [6646608-1](#) [6646786-1](#) [6646940-1](#) [6651091-1](#) [6651525-1](#) [6651529-1](#)
[6651788-1](#) [696475-1](#) [702-32-01109](#) [703-25-02205](#) [73000005059](#) [73000005642](#) [73080255059](#) [73080965046](#) [765-15-0080A](#) [765-16-0080B](#)
[765-18-0080D](#) [829992-1](#) [902-77-02113](#) [PS00/A0620/6300](#) [PS25/A0420/63](#) [129-1J](#) [1409400](#) [AN0024023](#) [E6374G1](#) [e6389g2](#) [157-43GW8](#)
[MS3117-14AC](#) [1643543-1](#) [1650540-1](#) [1651811-2](#) [1766260-1](#) [1766282-1](#) [1766966-1](#) [1791340000](#) [NLDFT-3-BL-L-S120-M40A](#) [NLDFT-N-](#)
[W-L-C240-M40B](#) [NLS-2-R-C240-M40B](#) [NLS-N-W-C240-M40B](#) [NPS-3-BL-T6](#) [1986615-1](#) [2-1589900-8](#) [2199314-1](#) [KA8102](#)