



**RADIAL<sup>®</sup>**  
Fibre Optic Components

**TECHNICAL DATA SHEET**

**F 709 034 706**

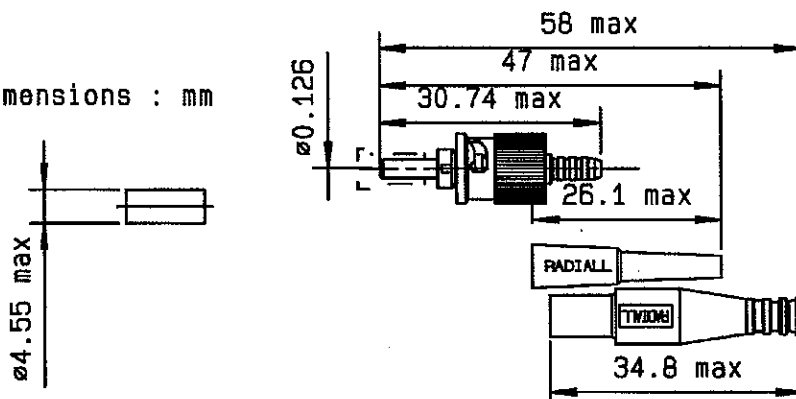
**Titre: ST2 SINGLEMODE PLUG ø126µm CERAMIC FERRULE CABLE ø3 MAX**

Series F709	Issue: 06-04-00	Page 1/1
----------------	--------------------	-------------

**PACKAGING : SINGLE**

mm to inch : 0.03937

Dimensions : mm



**BOOT :**  
- COLOUR BLACK  
- INFLAMMABILITY : V1 (UL94)

**BODY :**  
- BRASS  
- NICKEL PLATED

**GENERAL**

- TYPE :** - IEC 1754-2 Type BFOC/2.5 - 'ST2'  
- Ceramic Zirconia ferrule 20mm pre-radius  
- Bayonet latching system
- FIBRE :** - Singlemode 8.5/125
- CABLE :** - Cable ø2.7 to 3 mm (Hex. 3.84)
- WIRING :** ASSEMBLY PROCEDURE 503 08 390
- For a tight cable ø2 with aramid strength member and a coated fiber ø0.9 :  
----- See procedure F709PC02
  - For a loose cable ø3 with aramid strength member, a tube ø0.6/1 and a  
coated fiber ø0.25 :-----See procedure F709PC30
  - For a coated fiber ø0.9 :-----See procedure F709PC01
  - For a coated fiber ø0.25 inside a tube ø0.6/1 :-----See procedure F709PC32

**CHARACTERISTICS**

(Depending on fibre or cable construction)

- OPTICAL:** Typical insertion loss (IEC 1300-3-4, Methode B or CECC 86000 Methode 7) with adaptor F709730000 at 1300 nm
- Typical : 0.25 dB
  - Standard deviation : 0.11 dB
  - Reproducibility ; 0.05 dB
- Return loss (IEC 61300-3-6 Methode B or CECC Methode 3, OTDR) :
- >30 dB (PC)
- MECHANICAL :**
- Mating life : 500 mating cycles
  - Fibre retention : 5 N
  - Cable retention : 100 N
  - Vibrations : 10-55Hz, 1.5 mm

**ENVIRONMENTAL:- Climatic category : 25/70/4 0.2 dB**

**CREATION**

N° : EPF 9752  
Name : CAUSSE C  
Date : 10-23-98  
Verif.: VALENCIA

06/04/00	Change of protective cap	Lahera R	
03-17-99	ASSEMBLY PROCEDURE REFERENCE	VALENCIA	
10-23-98	First issue	VALENCIA	
Issue	Revisions	Name	Approved

## X-ON Electronics

Largest Supplier of Electrical and Electronic Components

*Click to view similar products for [Fibre Optic Connectors](#) category:*

*Click to view products by [Radiall](#) manufacturer:*

Other Similar products are found below :

[0004700001](#) [6100-R](#) [6313](#) [F709034706](#) [F709722200](#) [F709730000](#) [F718183204](#) [F727403500](#) [F727752800](#) [8119](#) [9440F20-27S-190](#) [944-120-6001](#) [9441F10SL-3S](#) [9444W28-21S](#) [9444W36-10S](#) [9446F10SL-4S](#) [9446W20-16S](#) [953-101-5310-P](#) [954-101-57202B](#) [A0270169](#) [12-9122](#) [12-5702](#) [AX101713](#) [AX102420](#) [AX103923](#) [AX104024](#) [AX104193](#) [AX104230](#) [AX104498](#) [AX104562](#) [AX105203-B25](#) [AX105205-S1](#) [EHSC2M](#) [181-011-126](#) [181-011-S](#) [181-057-126](#) [HRFC-R2\(40\)](#) [NKSOPBUY](#) [20500002116](#) [2064996-1](#) [20800001065](#) [2170](#) [9132](#) [2612](#) [2620](#) [9291](#) [9440F16-10S](#) [9440F20-18S](#) [9442W14S-10P](#) [9446F16-10S-190](#)