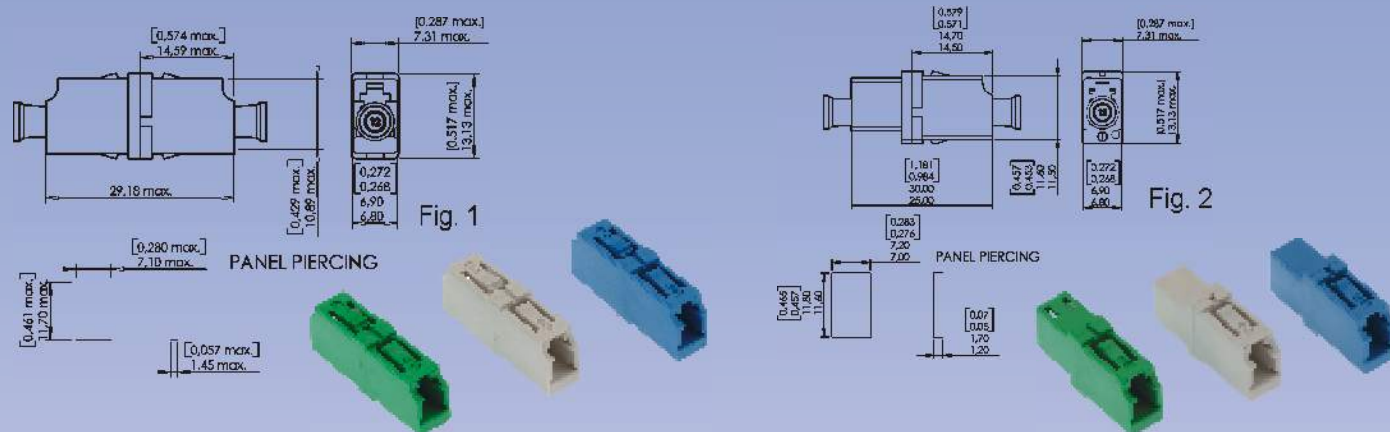


ADAPTER RANGE

Adapter type	Alignment sleeve	PC multimode Beige		PC singlemode Blue		APC singlemode Green	
		Pack. 1	Pack. 100	Pack. 1	Pack. 100	Pack. 1	Pack. 100

SIMPLEX ADAPTERS

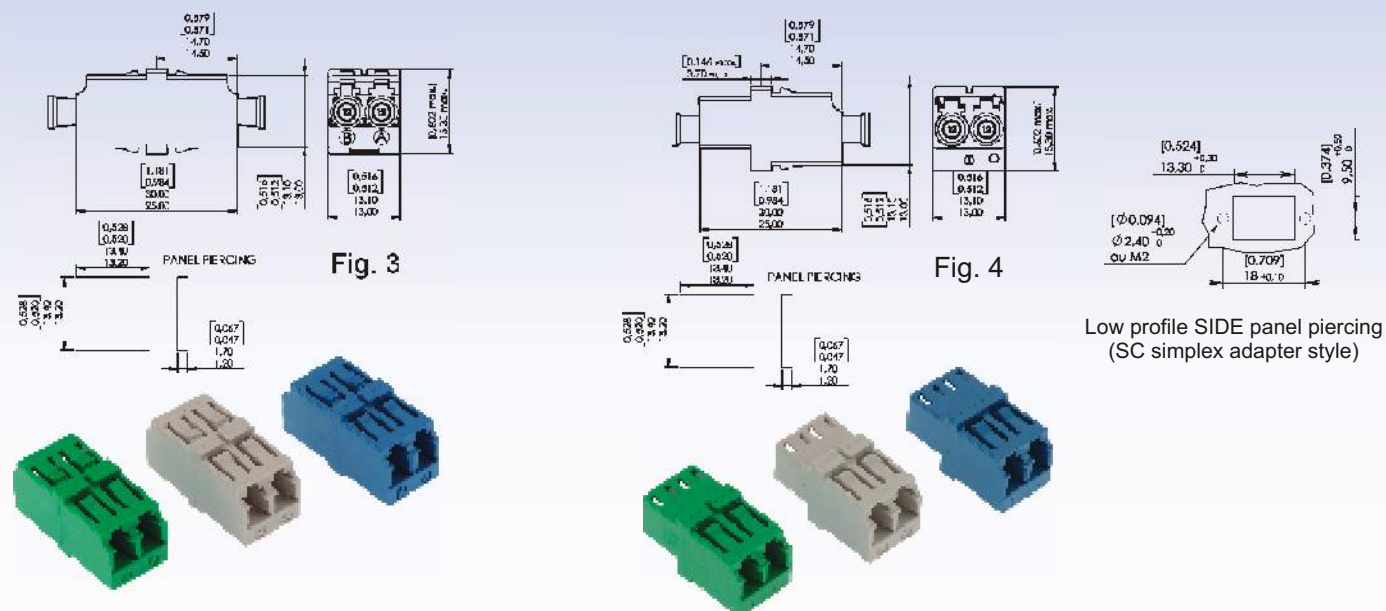
Simplex LC cutout Snap-in mounting Fig. 1	Zirconia	F727 700 700	F727 710 700	F727 700 000	F727 710 000	F727 700 100	F727 710 100
	PH/BR	F727 700 800	F727 710 800	F727 700 200	F727 710 200	-	-
Simplex LC and low profile cutout Snap-in mounting Fig. 2	Zirconia	F727 701 700	F727 711 700	F727 701 000	F727 711 000	F727 701 100	F727 711 100
	PH/BR	F727 701 800	F727 711 800	F727 701 200	F727 711 200	-	-



DUPLEX ADAPTERS

Duplex RJ-45 cutout Snap-in mounting Fig. 3	Zirconia	F727 740 700	F727 750 700	F727 740 000	F727 750 000	F727 740 100	F727 750 100
	PH/BR	F727 740 800	F727 750 800	F727 740 200	F727 750 200	-	-
Duplex RJ-45 and low profile cutout Fig. 4 (See note 1)	Zirconia	F727 741 700	F727 751 700	F727 741 000	F727 751 000	F727 741 100	F727 751 100
	PH/BR	F727 741 800	F727 751 800	F727 741 200	F727 751 200	-	-

Note 1 : Panel clip has to be ordered separately using P/N F718 168 000. Refer to « accessories » section.



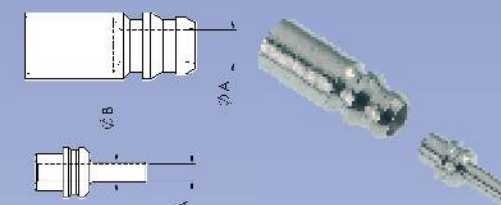
ACCESSORIES

BOOTS (bag of 100)

	0.9 mm cable dia. 1.55 max	1.6 mm cable dia. 2.7 max	2 / 2.2 mm cable dia. 2.7 max	3 mm cable dia.
	1.10mm max	1.8mm max	2.45mm max	TDS on request
BLACK	F718 166 200	F718 161 200	F718 162 200	-
YELLOW	F718 166 202	F718 161 202	F718 162 202	-
RED	F718 166 203	F718 161 203	F718 162 203	-
WHITE	F718 166 204	F718 161 204	F718 162 204	-
BLUE	F718 166 201	F718 161 201	F718 162 201	F718 169 201
BEIGE	F718 166 206	F718 161 206	F718 162 206	F718 169 206
GREEN	F718 166 205	F718 161 205	F718 162 205	F718 169 205

INNER SLEEVES and CRIMP RINGS (bag of 100)

	1.6 mm cable dia.	2 / 2.2 mm cable dia.	3 mm cable dia.
Inner Sleeves	F718 157 200 A : 1.02 mm max B : 1.26 mm max	F718 158 200 A : 1.15 mm max B : 1.53 mm max	F718 158 200 A : 1.15 mm max B : 1.53 mm max
Crimp rings Hex. 3.40	F718 159 200 A : 2.02 mm max	F718 160 200 A : 2.37 mm max	F718 170 200 A : 3.25 mm max



DUPLEX BRACE for duplex connectors (bag of 10)

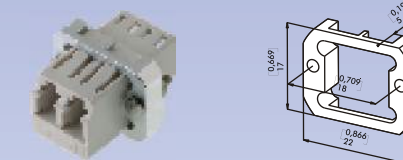
Beige	Blue	Green
F718 163 206	F718 163 201	F718 163 205



PANEL CLIP for duplex low profile style adapter (bag of 10)

F 718 168 000

Note - Supplied without screws (m2)



INTER-SERIES ADAPTER

LC to SC, simplex F 719 053 000

CABLE ASSEMBLIES

Connector 1	Fiber and cable			Connector 2	Length
Multimode fiber	50/125	Dia. 0.9 mm	Simplex *	LC SC ST FC	L ... (cm)
	50/125	Dia. 2 mm	Simplex *		
	50/125	Dia. 3 mm	Simplex *		
	50/125	Dia. 2 x 1.6 mm	Duplex *		
	50/125	Dia. 2 x 1.6 mm	Duplex *		
Singlemode fiber	62.5/125	Dia. 0.9 mm	Simplex *	LC50 (UPC) LC8 (APC 8°) SC50 (UPC) SC8 (APC 8°) ST50 (UPC) FC50 (UPC)	L ... (cm)
	62.5/125	Dia. 2 mm	Simplex *		
	62.5/125	Dia. 3 mm	Simplex *		
	62.5/125	Dia. 2 x 1.6 mm	Duplex *		
	9/125	Dia. 0.9 mm	Simplex **		
	9/125	Dia. 0.9 mm	Simplex *		
	9/125	Dia. 1.6 mm	Simplex **		
	9/125	Dia. 1.6 mm	Simplex *		

Example of cable assembly part number : LC 27 SC L100 / LC8 73 LC50 L200 etc...
(*): Tight (**): Semi Tight



X-ON Electronics

Largest Supplier of Electrical and Electronic Components

Click to view similar products for [Fibre Optic Connectors](#) category:

Click to view products by [Radiall](#) manufacturer:

Other Similar products are found below :

[0004700001](#) [6100-R](#) [6313](#) [F709034706](#) [F709722200](#) [F709730000](#) [F718183204](#) [F727403500](#) [F727752800](#) [8119](#) [9440F20-27S-190](#) [944-120-6001](#) [9441F10SL-3S](#) [9444W28-21S](#) [9444W36-10S](#) [9446F10SL-4S](#) [9446W20-16S](#) [953-101-5310-P](#) [954-101-57202B](#) [A0270169](#) [12-9122](#) [12-5702](#) [AX101713](#) [AX102420](#) [AX103923](#) [AX104024](#) [AX104193](#) [AX104230](#) [AX104498](#) [AX104562](#) [AX105203-B25](#) [AX105205-S1](#) [EHSC2M](#) [181-011-126](#) [181-011-S](#) [181-057-126](#) [HRFC-R2\(40\)](#) [NKSOPBUY](#) [20500002116](#) [2064996-1](#) [20800001065](#) [2170](#) [9132](#) [2612](#) [2620](#) [9291](#) [9440F16-10S](#) [9440F20-18S](#) [9442W14S-10P](#) [9446F16-10S-190](#)