

LC DUPLEX PC MULTIMODE ADAPTOR  
ZIRCONIA ALIGNMENT SLEEVE

Packaging  
100

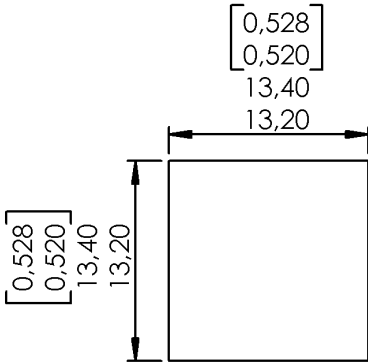
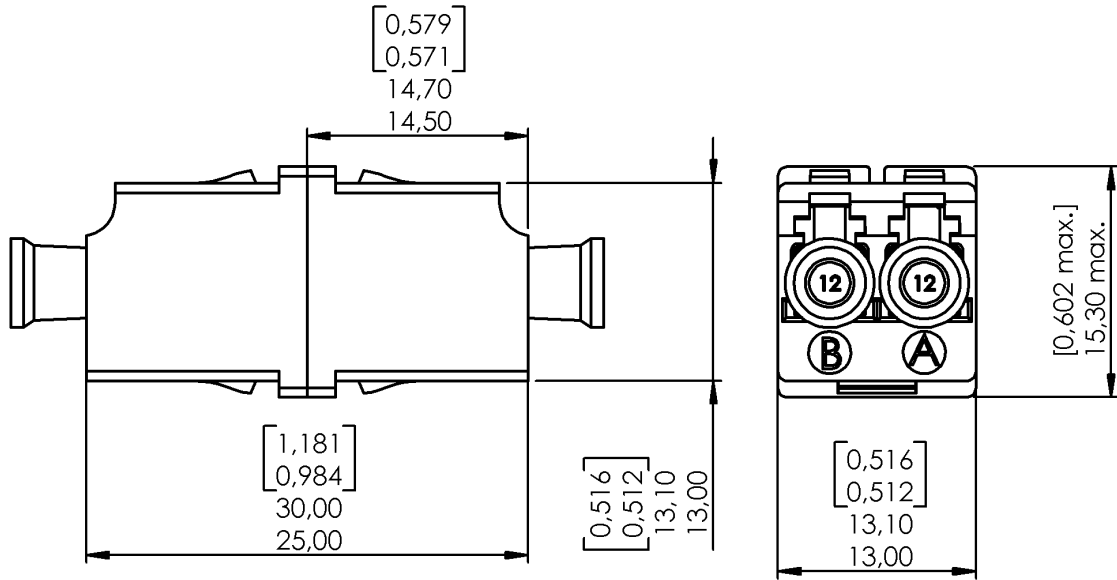
Series  
LC

Issue  
01/13/03

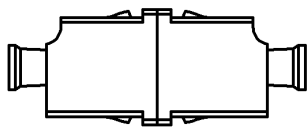
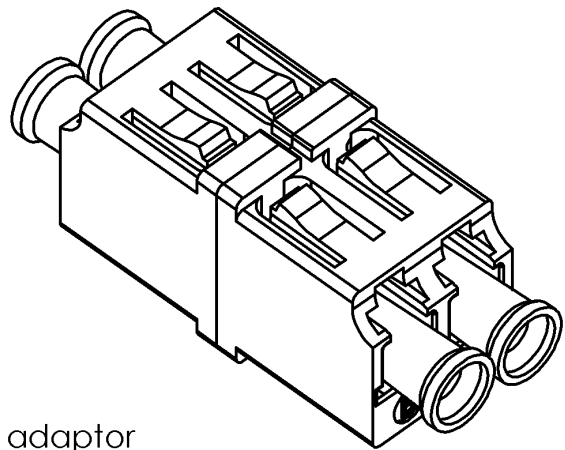
Page  
1 / 2

Adaptor : color BEIGE

Duplex



PANEL PIERCING



Scale : 1/1

- Contents :
- Standard duplex adaptor
  - Receptacle dust cap
  - Sleeve

Original dimensions in mm [inch]

LC DUPLEX PC MULTIMODE ADAPTOR  
ZIRCONIA ALIGNMENT SLEEVE

Packaging  
100

Series  
LC

Issue  
01/13/03

Page  
2 / 2

Adaptor : color BEIGE

Duplex

**GENERAL**

- ❑ **TYPE** IEC 61754-20 (LC) (LC)  
RJ-45 latching system  
Receptacle color : BEIGE
- ❑ **MOUNTING** Snap-in mounting  
Max. panel thickness 1.7 mm
- ❑ **ALIGNMENT SLEEVE** Zirconia

**CHARACTERISTICS (Depending on fibre or cable construction)**

- ❑ **MATERIAL** Plastic molded : Material in accordance with TELCORDIA GR-326 CORE  
Inflammability V0 (UL 94)
- ❑ **MECHANICAL** Durability 200 cycles  
Plug Retention 68 N
- ❑ **ENVIRONMENTAL** Storage temperature range -40 °C to +85 °C  
Operating temperature range -40 °C to +70 °C
- ❑ **PROOF TEST** Straight pull 68 N  
Side pull 23 N
- ❑ **VIBRATION TEST** 10 to 55 Hz, 1,5 mm (peak to peak), 2 Hr/axis

*(Performance and specification : see document GEN - F727 001)*

## X-ON Electronics

Largest Supplier of Electrical and Electronic Components

*Click to view similar products for [Fibre Optic Connectors](#) category:*

*Click to view products by [Radiall](#) manufacturer:*

Other Similar products are found below :

[0004700001](#) [6100-R](#) [6313](#) [F709034706](#) [F709722200](#) [F709730000](#) [F718183204](#) [F727403500](#) [F727752800](#) [8119](#) [9440F20-27S-190](#) [944-120-6001](#) [9441F10SL-3S](#) [9444W28-21S](#) [9444W36-10S](#) [9446F10SL-4S](#) [9446W20-16S](#) [953-101-5310-P](#) [954-101-57202B](#) [A0270169](#) [12-9122](#) [12-5702](#) [AX101713](#) [AX102420](#) [AX103923](#) [AX104024](#) [AX104193](#) [AX104230](#) [AX104498](#) [AX104562](#) [AX105203-B25](#) [AX105205-S1](#) [EHSC2M](#) [181-011-126](#) [181-011-S](#) [181-057-126](#) [HRFC-R2\(40\)](#) [NKSOPBUY](#) [20500002116](#) [2064996-1](#) [20800001065](#) [2170](#) [9132](#) [2612](#) [2620](#) [9291](#) [9440F16-10S](#) [9440F20-18S](#) [9442W14S-10P](#) [9446F16-10S-190](#)