

LC DUPLEX APC SINGLEMODE ADAPTOR
ZIRCONIA ALIGNMENT SLEEVE

Packaging
100

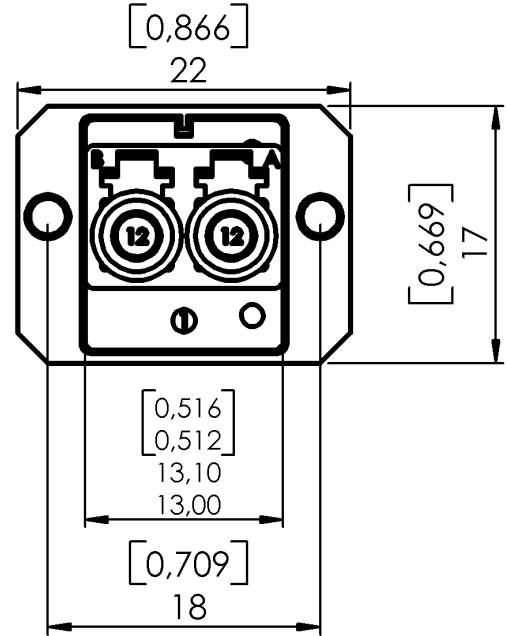
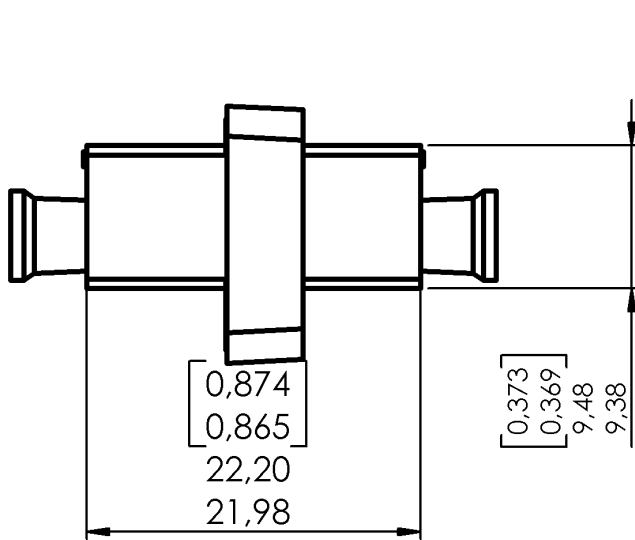
Series
LC

Issue
03/26/04

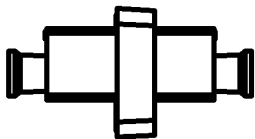
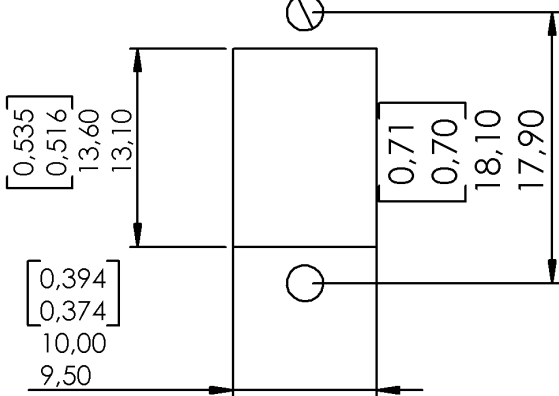
Page
1 / 2

Adaptor : color GREEN

Duplex

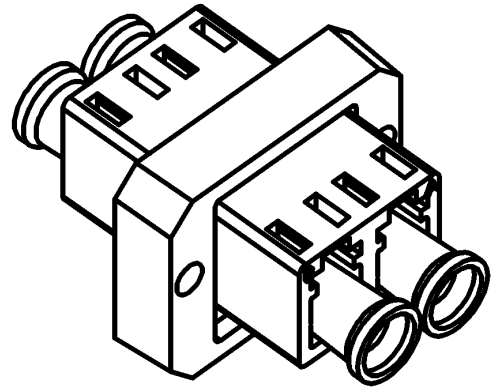


Ø 2,40 or M2 PANEL PIERCING



Scale : 1/1

- Contents :
- Low profile duplex adaptor
 - Receptacle dust cap
 - Sleeve



Original dimensions in mm [inch]

LC DUPLEX APC SINGLEMODE ADAPTOR
 ZIRCONIA ALIGNMENT SLEEVE

 Packaging
 100

 Series
 LC

 Issue
 03/26/04

 Page
 2 / 2

Adaptor : color GREEN

Duplex

GENERAL

- TYPE**
IEC 61754-20 (LC)
RJ-45 latching system
Receptacle color : GREEN

- MOUNTING**
SC panel cut-out screw in
Max. panel thickness 1.7 mm

- ALIGNMENT SLEEVE**
Zirconia

CHARACTERISTICS (Depending on fibre or cable construction)

- MATERIAL**
Plastic molded :
Material in accordance with TELCORDIA GR-326 CORE
Inflammability V0 (UL 94)

- MECHANICAL**
Durability
200 cycles
Plug Retention
68 N

- ENVIRONMENTAL**
Storage temperature range
-40 °C to +85 °C
Operating temperature range
-40 °C to +70 °C

- PROOF TEST**
Straight pull
68 N
Side pull
23 N

- VIBRATION TEST**
10 to 55 Hz, 1,5 mm (peak to peak), 2 Hr/axis

(Performance and specification : see document GEN - F727 001)

X-ON Electronics

Largest Supplier of Electrical and Electronic Components

Click to view similar products for [Fibre Optic Connectors](#) category:

Click to view products by [Radiall](#) manufacturer:

Other Similar products are found below :

[0004700001](#) [6100-R](#) [6313](#) [F709034706](#) [F709722200](#) [F709730000](#) [F718183204](#) [F727403500](#) [F727752800](#) [8119](#) [9440F20-27S-190](#) [944-120-6001](#) [9441F10SL-3S](#) [9444W28-21S](#) [9444W36-10S](#) [9446F10SL-4S](#) [9446W20-16S](#) [953-101-5310-P](#) [954-101-57202B](#) [A0270169](#) [12-9122](#) [12-5702](#) [AX101713](#) [AX102420](#) [AX103923](#) [AX104024](#) [AX104193](#) [AX104230](#) [AX104498](#) [AX104562](#) [AX105203-B25](#) [AX105205-S1](#) [EHSC2M](#) [181-011-126](#) [181-011-S](#) [181-057-126](#) [HRFC-R2\(40\)](#) [NKSOPBUY](#) [20500002116](#) [2064996-1](#) [20800001065](#) [2170](#) [9132](#) [2612](#) [2620](#) [9291](#) [9440F16-10S](#) [9440F20-18S](#) [9442W14S-10P](#) [9446F16-10S-190](#)