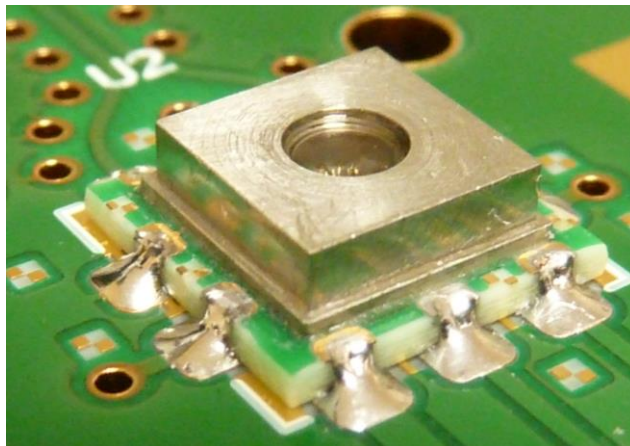




F-Light FLT-500-IL-D03 850nm Free-space short distance optical transmitter

Features

- Up to 5 Gbps
- Uses 850 nm VCSEL
- Complies with IEEE Std. 802.3z Gigabit Ethernet 1000 Base-Sx PMD and ARINC 804 requirements
- Controls and monitors for better link reliability
- Industrial working temperature range [-40;+85°C]
- Standard electrical SMT interface
- Optimized for short distance and Board to board communication
- Vibration tolerant
- Low power consumpt^o (~160 mW)



Applications

- Severe environment interconnects
- Sensors interconnects
- Digital video transmission
- Board-to-board communications
- Datacommunications (LAN, SAN)
- On-board communications

Product Description

F-Light FLT-500-IL-D03 optoelectronic module is enhanced performances transmitter optimized for high data rate short distance Free-space optical (FSO) communications. It is protocol independent and can be applied to Gigabit Ethernet, Fibre Channel, Infiniband or any specific communication application. The F-Light family is optimized for Free-space communication and complies with AEEC / ARINC 804 transceiver specifications.

FLT-500-IL-D03 module integrates state-of-the art 850-nm AlGaAs VCSEL chips and low power consumption CMOS electronics. The transmitter FLT-500-IL-D03 should be aligned with the FLR-500-IL-D03 receiver within tolerances of +/-1mm and +/- 1°. Link is vibration and angular alignment tolerant within the typical rack mount environment.

F-Light FLT-500-IL-D03 850nm Free-space short distance optical transmitter

Description

The FLT-500-IL-D03 Free-Space Optical (FSO) transmitter is optimized for high speed DC-coupled serial links operating from 1 to 5Gbps. The module is 3.3 Volts single supplied for low power consumption.

The transmitter is based on high speed 850nm AlGaAs Vertical Cavity Surface Emitting Lasers (VCSEL) and high performance BiCMOS laser driver. The transmitter is divided in three parts: The high speed circuit compatible with data rate running from 1 to 5 Gbps; the biasing and control circuit to control and monitor the laser; and the optical sub assembly, integrating all the optoelectronic and optical elements.

Surface Mount package mechanical drawings

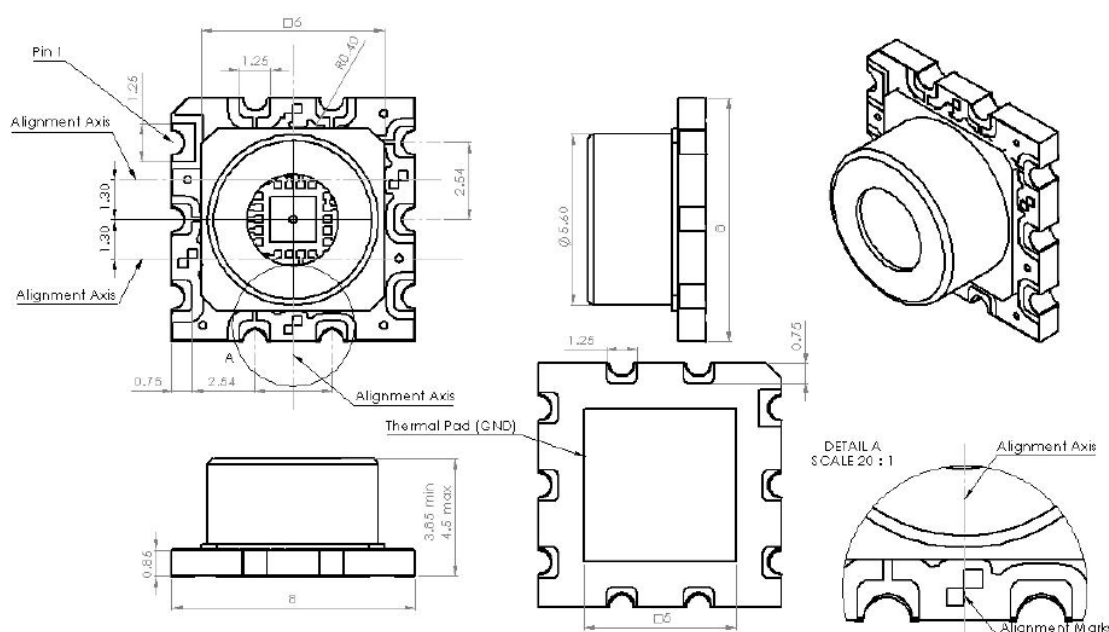


Figure 1 - LCC package mechanical dimensions (Ref: FLT-500-IL-D03)

Version	Date	Author	Release by	Notes
2.2	26/05/2015	L. Pujol		

X-ON Electronics

Largest Supplier of Electrical and Electronic Components

Click to view similar products for [Infrared Transceivers](#) category:

Click to view products by [Radiall](#) manufacturer:

Other Similar products are found below :

[350-00017](#) [TFBS4650-TT3](#) [TFDU4301-TR3](#) [TFBR4650-TR1](#) [TFBS4650-TR1](#) [TFBS4652-TR1](#) [TFBS4652-TR3](#) [TFDU4101-TR3](#)
[TFDU4101-TT3](#) [TFDU4301-TR1](#) [TFDU4301-TT1](#) [IRM-V840C/TR1](#)