



MM & MB Series



Contents

Introduction of MM and MB series	9-4
Features	9-5
Applications	9-5
Product overview of MM series	9-6
Technical characteristics	9-7
How to order connectors	9-8
Contact arrangements	9-9
Termination style	9-10
Printed circuit drill pattern	9-11 & 9-12
Guides and jackscrews	9-13
Panel cut-out	9-14
Connector mating compatibility	9-15
Backshell type availability	9-15
Top entry backshells	9-16
Product overview of MB series	9-18
Technical characteristics	9-19
How to order connectors	9-20
Contact arrangements	9-21
Termination style	9-22
Panel cut-out	9-23
Printed circuit drill pattern	9-24 to 9-27
Guides and jackscrews	9-28
Connector mating compatibility	9-29
Backshell type availability	9-30
Top entry backshells	9-31
Side entry backshells	9-32
Accessories	9-33

Introduction

The Radiall miniature and subminiature rectangular multicontact connectors meet the requirements of the standard MIL-C-28748 performance requirements. They are rugged connectors and offer high performance for high contact density.

The connectors in each series consist of an insulator with male and female contacts which include several pin sizes.

Features

Each connector features a male guide at one end and a female guide at the other. This arrangement ensures polarization of the connector when coupled. These guides can be smooth (rack guides) or screw closing (fixed or rotating jackscrews).

The **contacts male or female** are made of copper base alloy plated gold over nickel. The female contacts have 4 slots which ensures perfect mating, constant contact pressure and excellent mechanical and electrical performance. The contacts have a slight amount of float in order to allow self alignment during mating. Each series includes a different termination type; solder pot, straight or right angle solder pin for PCB, and wrapping.

The MM series

This series consists of six sizes of connectors with contact arrangements for 7, 14, 20, 26, 34 and 50 size 22 contacts
Ø 0.76mm / 0.030inch.

The series offers four types of terminations:

- Solder pot for wire (AWG22 max)
- Straight solder pin for PBC
- Right angle solder pin for PBC
- Wire wrap

These connectors are fitted with rack guides or fixed or rotating jackscrews at each end. A protective covering for wire terminations can be installed on the connector.

The MB series

This series consists of twelve sizes of connectors with contact arrangements for 2, 3, 5, 11, 14, 20, 25, 34, 42, 50 and 75 size 20 contacts Ø 1mm / 0.039inch.

The series offers three types of terminations:

- Solder pot for wire (AWG20 max)
- Straight solder pin for PBC
- Right angle solder pin for PBC

These connectors are fitted with rack guides or fixed or rotating jackscrews at each end.

Wires and soldered terminations for wire can be protected by either top or side entry backshells or by potting covers for 2 to 14 contacts connectors.

A range of **top and side entry backshells** with cable clamps in yellow anodized aluminium alloy are available. They are designed to protect the soldered wire connections, provide strain relief to the cable and facilitate the disengagement of the mated connectors.

Fitted with threaded posts they are suitable for connectors fitted with rack guides or fixed jackscrews. When fitted with rotating jackscrew guides they are fixed to the connectors without guides and jackscrews.

For the MB series there are also thermoplastic covers for "potting" ensuring that the terminated wires at the back of the insulator are protected.

Applications

Their mass and volume make them particularly suitable for the following applications: civil and military, in-flight equipment, instrumentation, missile, etc.

Originally developed for rack and panel assemblies they can be adapted for cable to cable applications with cable clamp backshell.

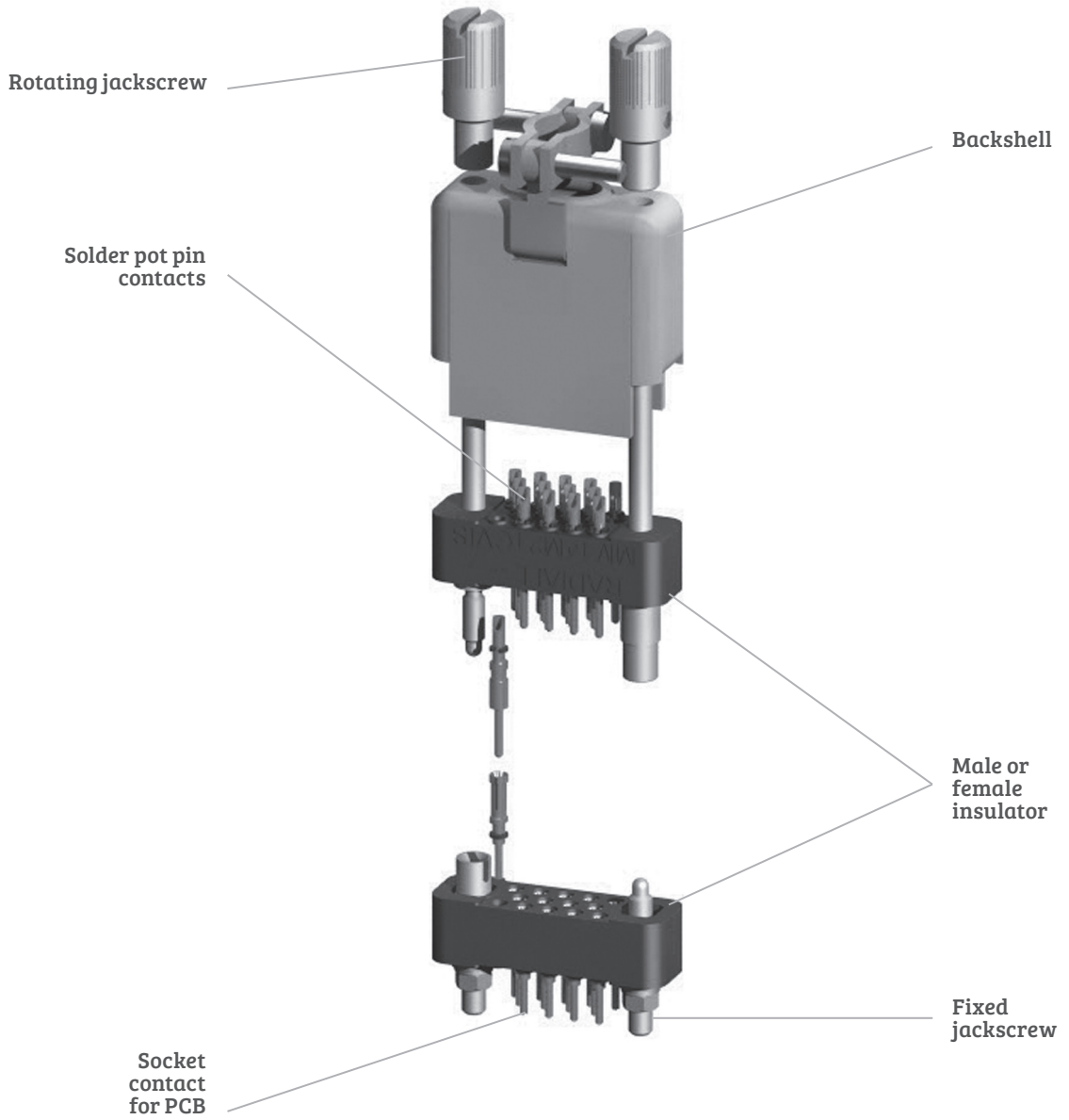


© Dassault Aviation - K. Tokunaga

MM SERIES

Product Overview

Detailed view of the various parts of the MM series connector.



Technical Characteristics

ELECTRICAL

Conforms to MIL-C-28748 performance requirements and UTE-C-93426 HE611 standard.

- Current rating: 5A
- Test voltage @ sea level: 1000 Vrms / 50 Hz
- Operating voltage @ sea level: 350 Vrms / 50 Hz
- Operating voltage @ 70,000 feet: 90 Vrms / 50 Hz
- Insulation resistance: > 5000 MΩ
- Contact resistance: < 5 mΩ

MECHANICAL & ENVIRONMENTAL

Conforms to MIL-C-28748 performance requirements and UTE-C-93426 HE611 standard.

- Temperature range: - 55°C (-131°F) to 125°C (257°F)
- Durability: 500 mating cycles
- Shock: 100g / 6ms
- Vibration: 20g / 10-2000 Hz
- Humidity: 56 days
- Contact insertion force: 3N
- Salt spray: 48 hours

MATERIALS

Description	Material	Finish
Insulator	glass filled diallyphthalate conform to MIL-M-14SDG-F	/
Pin contact	copper alloy	gold over nickel
Socket contact	copper alloy	gold over nickel
Guides & jackscrews	stainless steel	/
Backshells	aluminium alloy	yellow anodized

MASSES g (oz)

Weight of connectors mated

Contact arrangement	07	14	20	26	34	50
Without guides	2.8 (0.99)	5 (0.18)	6.6 (0.23)	8.1 (0.29)	12.1 (0.43)	15 (0.53)
With guides or jackscrew	4.7 (0.17)	7 (0.25)	8.4 (0.30)	10 (0.35)	13 (0.46)	17.1 (0.60)
With backshells and guides or jackscrews	12 (0.42)	15.5 (0.55)	17 (0.60)	19.4 (0.68)	23.2 (0.81)	32.8 (1.16)

How to Order Connectors



Series _____
MM series

Contact arrangement (refer to page 9-9) _____
07 - 14 - 20 - 26: 34: 50

Contact type _____
M: pin
F: socket

Termination style (refer to page 9-10) _____
20: solder pot
21: straight solder pin for PBC
22: right angle solder pin for PBC
23: wrapping contact 1 wrap
24: wrapping contact 2 wrap
25: wrapping contact 3 wrap

Guides and jackscrews (refer to page 9-13) _____
00: without guides and jackscrews ⁽¹⁾
G3: rack guides ⁽²⁾
GV: fixed jackscrews ⁽²⁾
VR: short rotating jackscrews
VL: long rotating jackscrews ⁽³⁾

Thread, guides or jackscrews _____
00: without guides and jackscrews
IS: ISO (M2 x 0.4)
NC: 2-56 UNC

Connector Identification

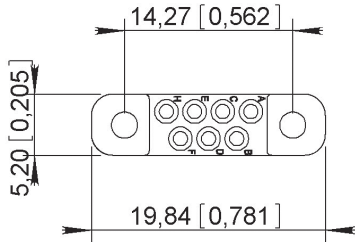
The part number is printed on the insulator side

NOTES:

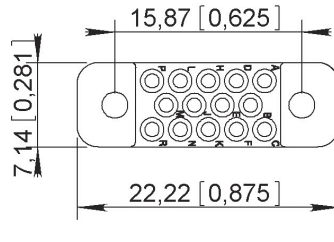
- (1) Connectors to be used with backshell HC (see page 9-15) and rotating jackscrews
- (2) Connectors to be used with backshell HA (see page 9-15)
- (3) VL jackscrew assembly is not available for termination style type 22

Contact Arrangements

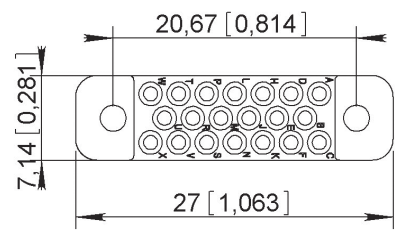
MALE CONNECTOR wiring side dimensions mm (inch)



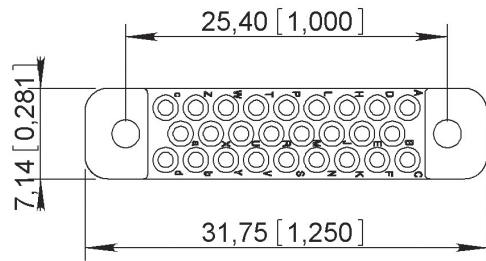
07



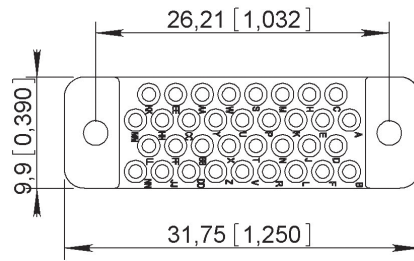
14



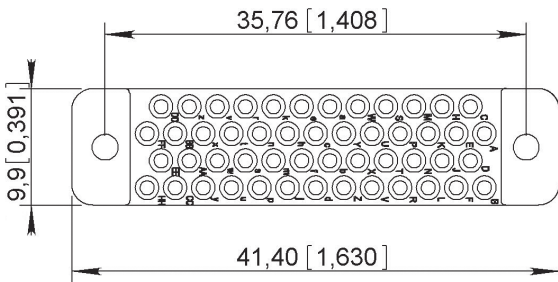
20



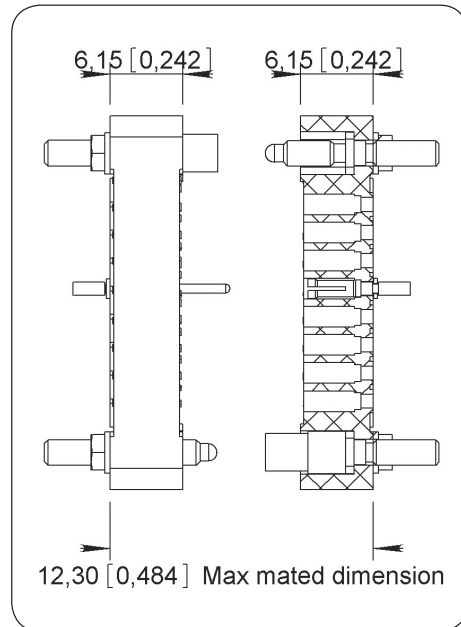
26



34



50

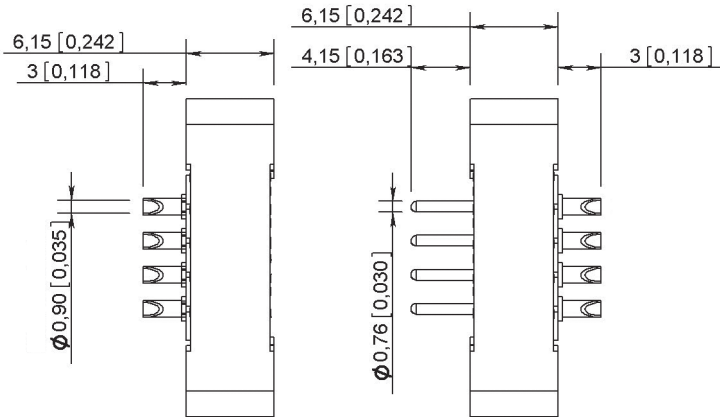


Mating dimensions

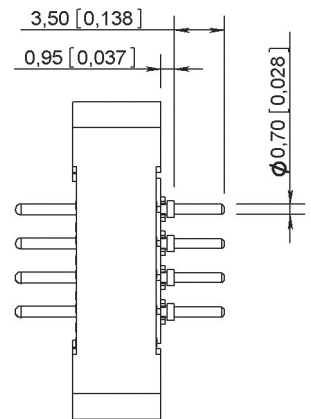
Termination Styles

TYPE 20
Solder pot

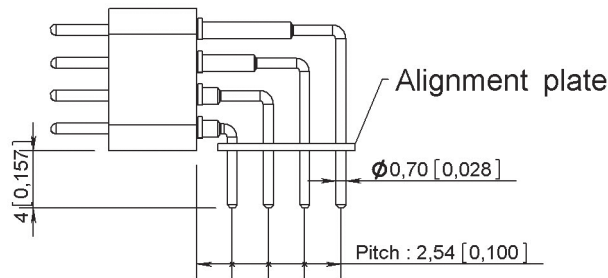
Dimensions mm (inch)



TYPE 21 ⁽¹⁾
Straight solder pin
for PCB

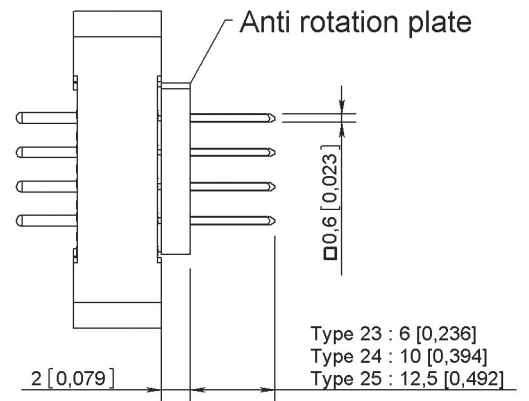


TYPE 22
Right angle solder pin for PCB



TYPE 23 - 24 - 25

- 23: wire wrap termination (1 level)
- 24: wire wrap termination (2 level)
- 25: wire wrap termination (3 level)

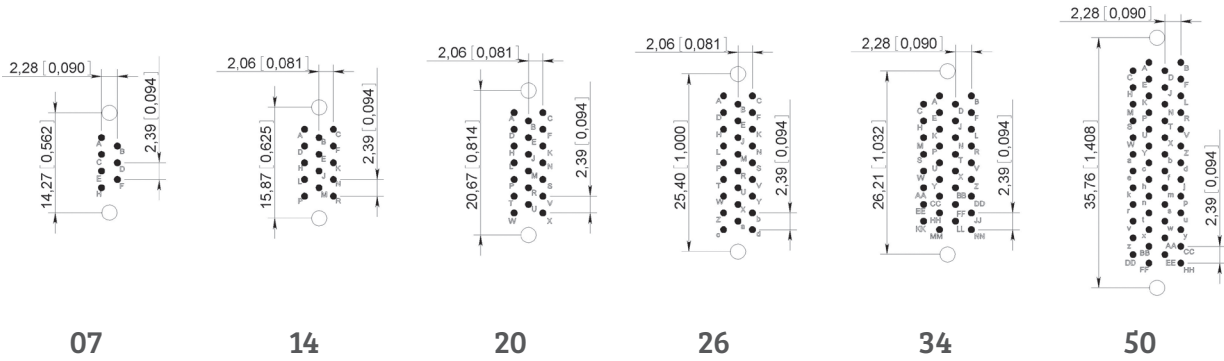


NOTE:

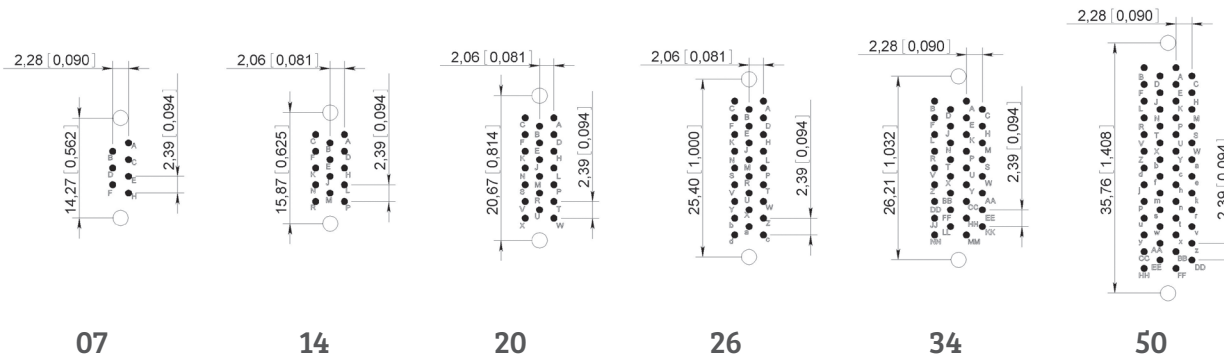
(1) For termination style type 21, the connectors are supplied with insulating washers in order to make space between the insulator and the PCB

Printed Circuit Drill Pattern

TYPE 21 Termination style - Connector with socket contacts
PCB component side view



TYPE 21 Termination style - Connector with pin contacts
PCB component side view

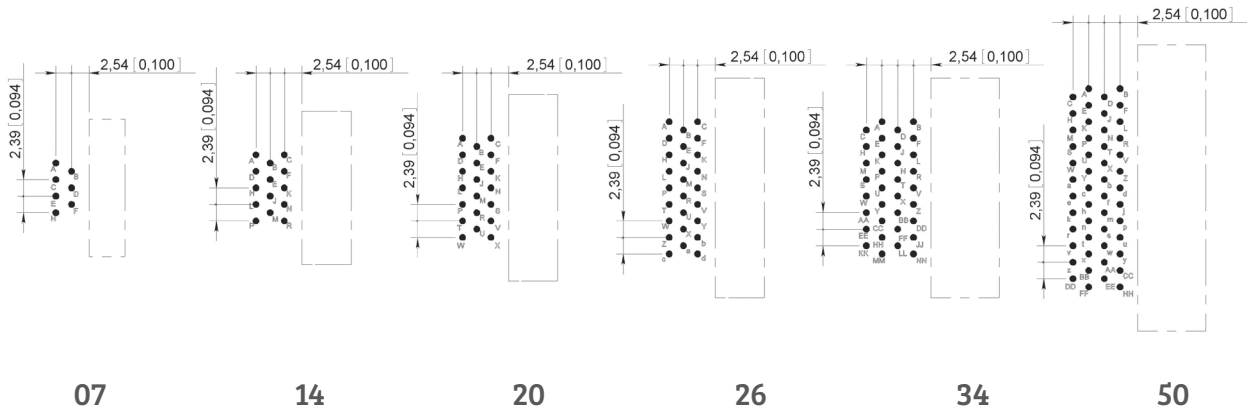


NOTES:

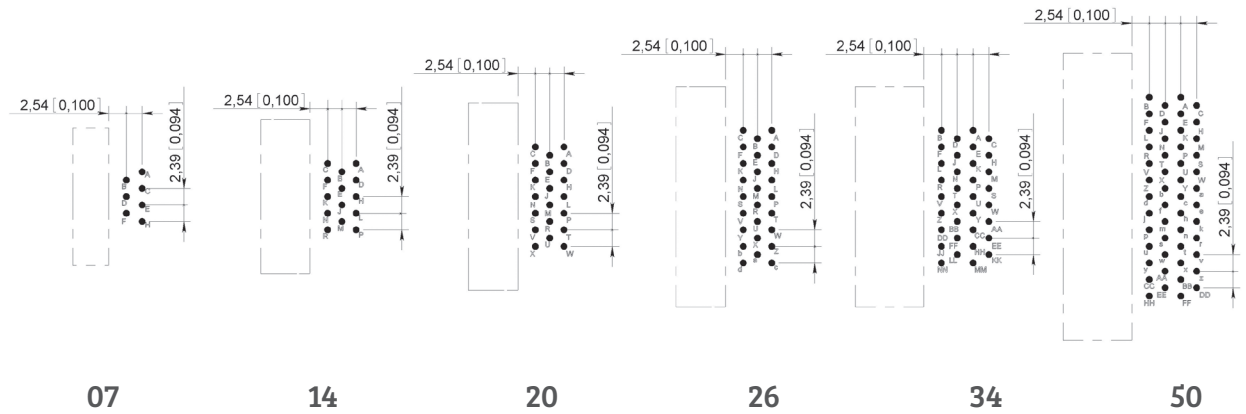
- Printed circuit drilling 0.8 mm ±0.05 (0.031 ±0.002)
- Drilling to fix the connector. Required for guides G3 and GV fixing only
2.2mm (0.087) for ISO guides and 2.4mm (0.094) for UNC guides

Printed Circuit Drill Pattern

TYPE 22 Termination style - Connector with socket contacts
PCB component side view



TYPE 22 Termination style - Connector with pin contacts
PCB component side view



NOTE:

- Printed circuit drilling 0.8 mm ±0.05 [0.031 ±0.002]

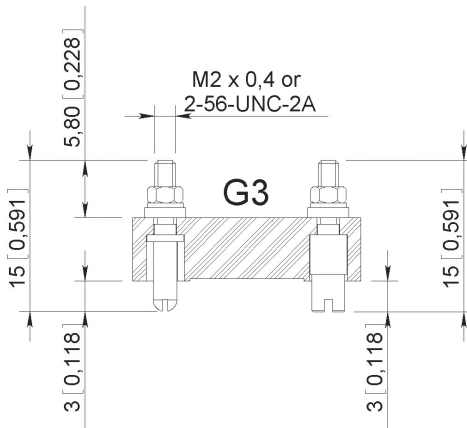
Guides and Jackscrews

Stainless steel guides and jackscrews are supplied with either ISO (M2 x 0.4) or UNC (2-56 UNC) threads. The guides or jackscrews types (G3 – GV – VL – VR) and the type of thread (ISO or UNC) required are to be defined in the part number on page 9-8.

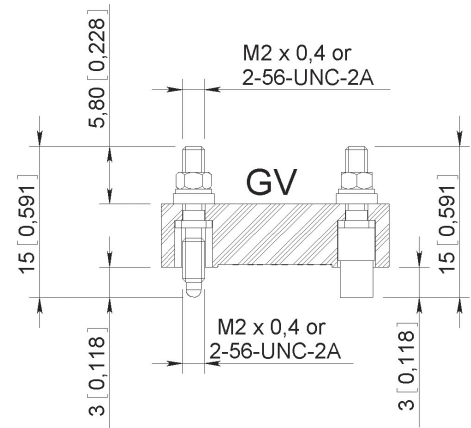
The standard configuration of guides and jackscrews is:

- Male guide (or jackscrew) at the end nearest contact A of the female connector.
- Female guide (or jackscrew) at the end nearest contact A of the male connector.

RACK GUIDES TYPE G3

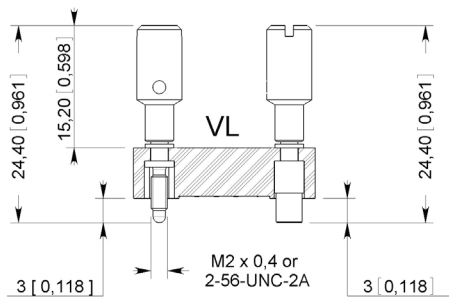


FIXED JACKSCREWS TYPE GV

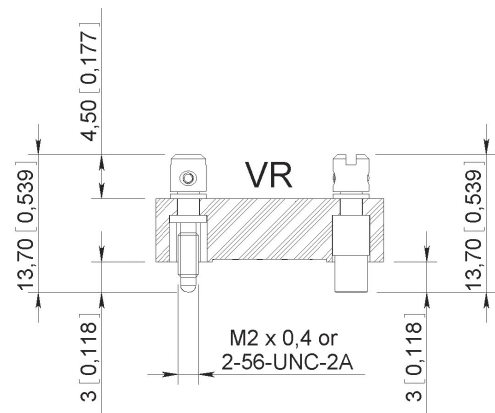


These guide and jackscrews can be used with backshell HA

LONG AND SHORT ROTATING JACKSCREWS TYPE VL – VR



Mating torque: 0.2N.m
Not available for termination style type 22
Cannot be used with any backshell

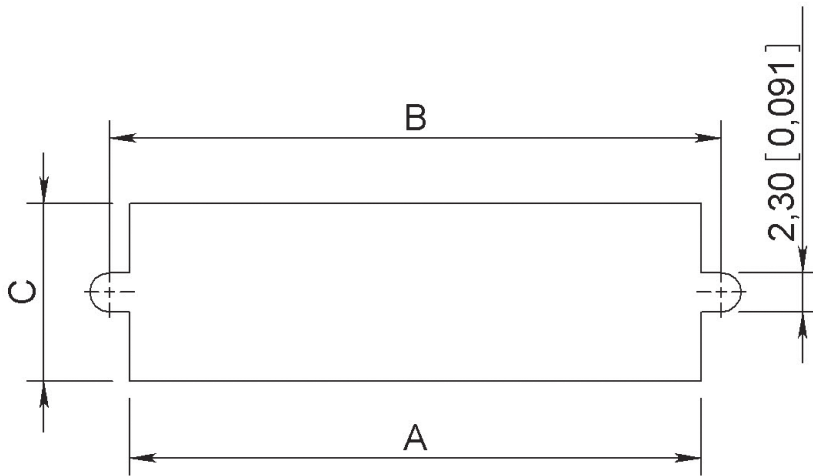


Mating torque: 0.2N.m
Cannot be used with any backshell

MM SERIES

Panel Cut-Out

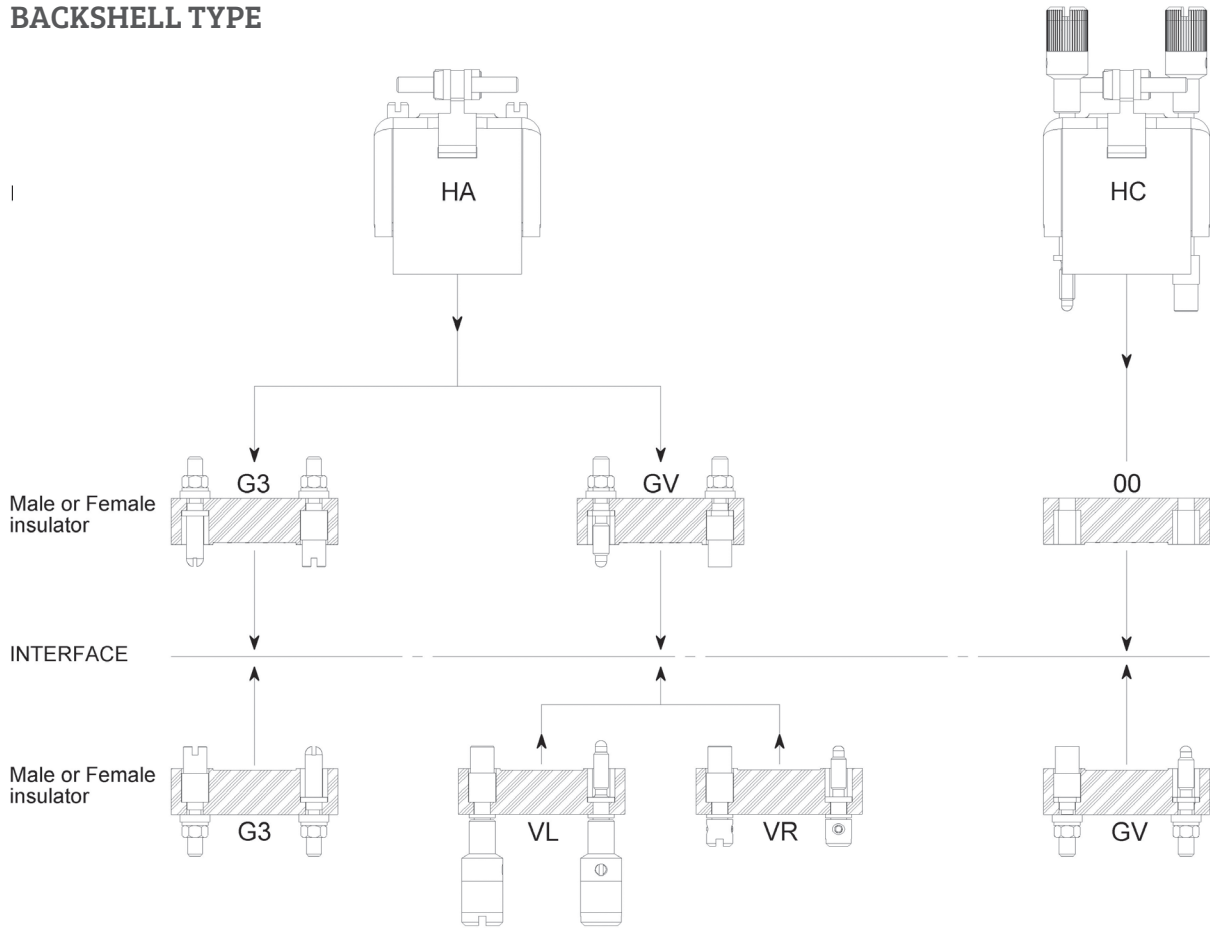
Contact Arrangement	Dimensions mm (inch)		
	A	B	C
07	11.9 [0.468]	14.27 [0.562]	5.8 [0.228]
14	13.5 [0.531]	15.87 [0.625]	7.6 [0.299]
20	18.3 [0.720]	20.67 [0.814]	
26	23 [0.905]	25.4 [1]	
34	23.9 [0.940]	26.2 [1.031]	10.4 [0.409]
50	33.4 [1.315]	35.76 [1.408]	



Connector Mating Compatibility

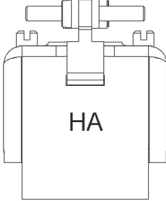
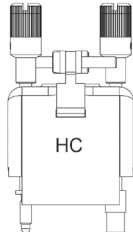
Use with backshell – Termination style type 20 only

BACKSHELL TYPE



Use without backshell – All termination style type

Backshell Type Compatibility

Thread		Hood		Thread	
NC (2-56 UNC)	ISO (M2 x 0.4)			ISO (M2 x 0.4)	NC (2-56 UNC)
07	07			07	07
14	14			14	14
20	20			20	20
26	26			26	26
34	34			34	34
50	50			50	50

Fixing of hoods only suitable for insulator with termination style type 20 (solder pot)

Top Entry Backshells

TYPE HA

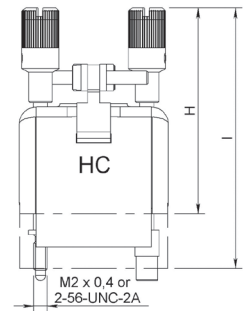
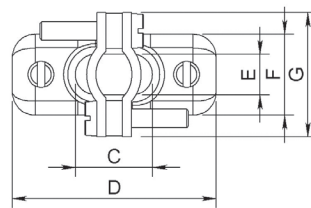
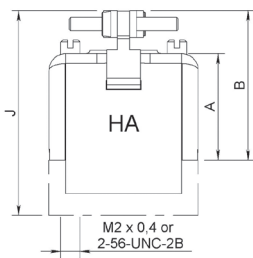
Backshells supplied with two internal threaded posts which are screwed into the guides G3 or jackscrews GV.

TYPE HC

Backshells supplied with two long rotating jackscrews. These backshells are mounted on connectors without guides or jackscrews (code 00).

PART NUMBERS

Contacts Arrangements	Type HA		Type HC	
	With threads M2 x 0.4	With threads 2-56 UNC	With screws M2 x 0.4	With screws 2-56 UNC
07	MM07HAIS	MM07HANC	MM07HCIS	MM07HCNC
14	MM14HAIS	MM14HANC	MM14HCIS	MM14HCNC
20	MM20HAIS	MM20HANC	MM20HCIS	MM20HCNC
26	MM26HAIS	MM26HANC	MM26HCIS	MM26HCNC
34	MM34HAIS	MM34HANC	MM34HCIS	MM34HCNC
50	MM50HAIS	MM50HANC	MM50HCIS	MM50HCNC



Mating torque: 0.15N.m

Dimensions mm (inch)

Contact Arrangement	A	B	C	D	E	F	G	H	I	J
07	15.9 (0.626)	23.15 (0.911)	5.5 (0.216)	19.8 (0.779)	4 (0.157)	6.8 (0.268)	13.5 (0.531)	31.9 (1.256)	38.2 (1.504)	29.4 (1.157)
14			10 (0.394)	22.2 (0.874)	6 (0.236)	8.8 (0.346)				
20			14 (0.551)	27 (1.063)						
26			19 (0.748)	31.8 (1.252)	9.5 (0.374)	11.8 (0.464)	15.7 (0.618)			
34			19 (0.748)	31.8 (1.252)						
50			30.5 (1.201)	38.5 (1.516)	29.7 (1.169)	41.4 (1.630)	9.5 (0.374)			

NOTE:

Fixing of backshells only suitable for insulator with termination style 20 (solder pot).

Notes

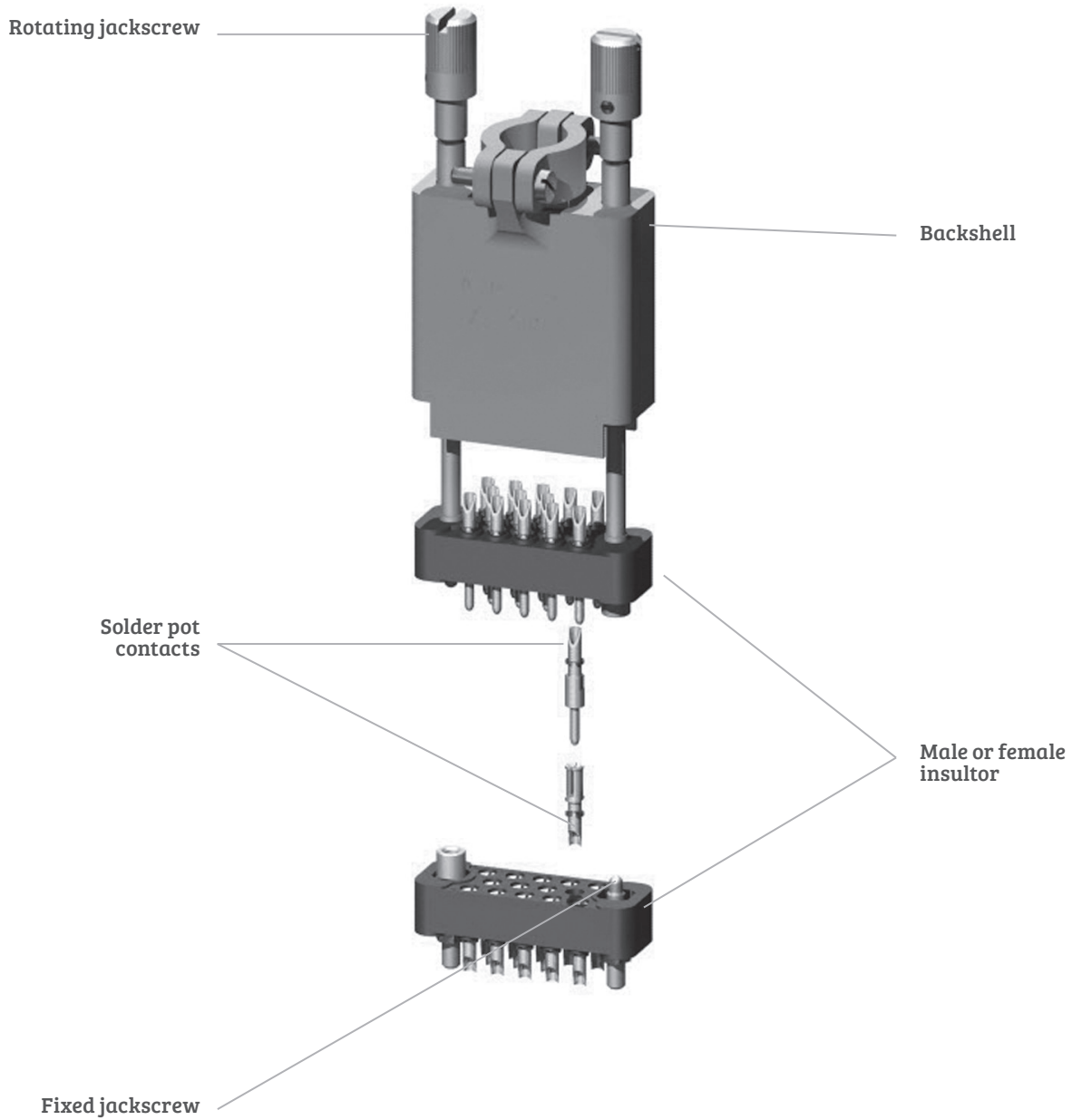


MM SERIES



Product Overview

Detailed view of the various parts of the MB series connector.



Technical Characteristics

ELECTRICAL

Conforms to MIL-C-28748 performance requirements standard.

- Current rating: 7.5A
- Test voltage @ sea level: 1500 Vrms / 50 Hz
- Operating voltage @ sea level: 500 Vrms / 50 Hz
- Insulation resistance: > 5000 MΩ
- Contact resistance: < 5 mΩ

MECHANICAL & ENVIRONMENTAL

- Temperature range: - 55°C (-131°F) to 125°C (257°F)
- Durability: 500 mating cycles
- Shock: 50g / 11ms
- Vibration: 20g / 10-2000 Hz
- Humidity: 21 days
- Contact insertion force: 3N
- Salt spray: 48 hours

MATERIALS

Description	Material	Finish
insulator	glass filled diallyphtalate conform to MIL-M-14SDG-F	/
pin contact	copper alloy	gold over nickel
socket contact	copper alloy	gold over nickel
guides & jackscrews	stainless steel	/
backshells	aluminium alloy	yellow anodized
spring lever clamps	stainless steel	/
potting moulds	nylon	/

MASSES g (oz)

Weight of connectors mated

Contact arrangement	02	03	05	07	11	14	20	26	34	42	50	75
Without guides	2.2 (0.07)	2.30 (0.81)	4 (0.14)	3.7 (0.13)	5.6 (0.20)	6.4 (0.23)	8.6 (0.30)	11 (0.39)	15.2 (0.54)	17.6 (0.62)	20.5 (0.72)	32.7 (1.15)
With rack guides	3.9 (0.14)	4 (0.14)	4.7 (0.17)	5.4 (0.19)	7.3 (0.26)	8.1 (0.29)	10.3 (0.36)	12.7 (0.45)	16.9 (0.60)	19.3 (0.68)	22.2 (0.78)	36.2 (1.28)
With backshells and jackscrew	-	-	-	12.4 (0.44)	17.5 (0.62)	20.4 (0.72)	28 (0.99)	31.5 (1.11)	37.2 (1.31)	-	45.2 (1.59)	62 (2.19)

How to Order Connectors

MB	34	M	20	VL	00	IS
----	----	---	----	----	----	----

Series
MB series

Contact arrangement (refer to page 9-21)
02: 03 : 05 : 07 - 11 - 14
20: 26 : 34 : 42 - 50 - 75

Contact type
M: pin
F: socket

Termination style (refer to page 9-22)
85: solder pot
86: straight solder pin for PCB
87: right angle solder pin for PCB

Guides and jackscrews (refer to page 9-28)
00: without guides and jackscrews ⁽¹⁾
G1: rack guides ⁽²⁾
GV: fixed jackscrews ⁽²⁾
VR: short rotating jackscrews
VL: long rotating jackscrews ⁽³⁾

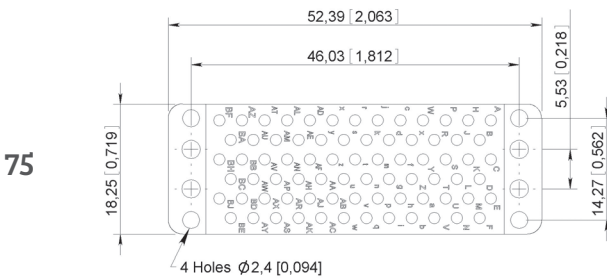
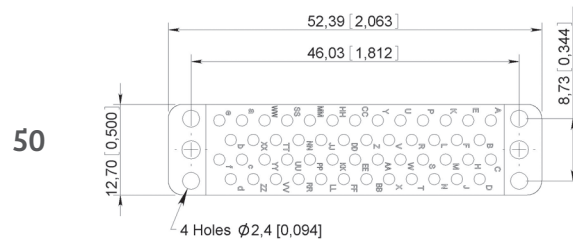
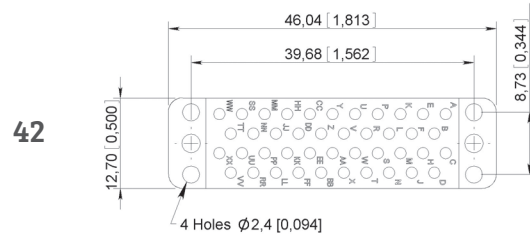
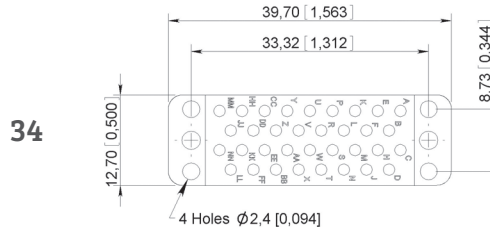
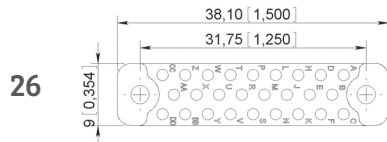
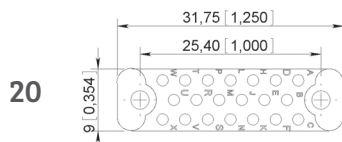
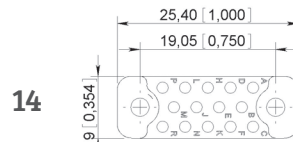
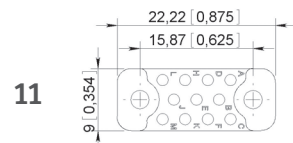
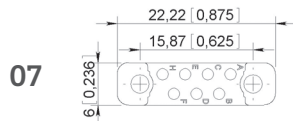
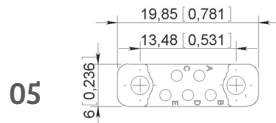
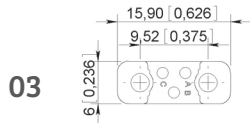
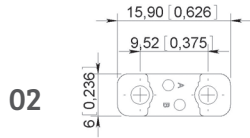
Shipment without backshell and accessories

Thread, guides or jackscrews
00: without guides and jackscrews
IS: ISO (M2 x 0.4)
NC: 2-56 UNC

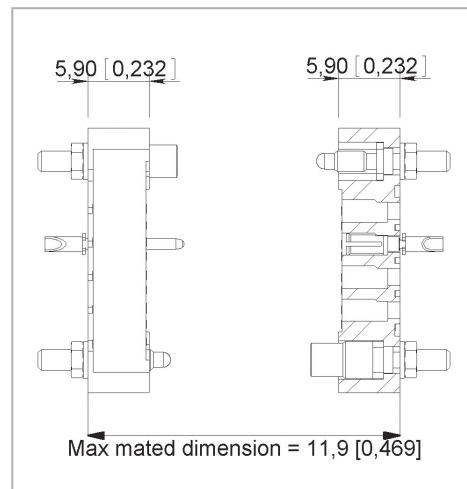
NOTES:

- (1) Connectors to be used with backshell HC and HV (see page 9-29) or rack guides G1
- (2) Connectors to be used with backshell HA and HL (see page 9-29)
A spring clip locking system can be fitted (see page 9-33)
- (3) VL jackscrews assembly is only available for termination style type 85

Contact Arrangements



MATING DIMENSIONS

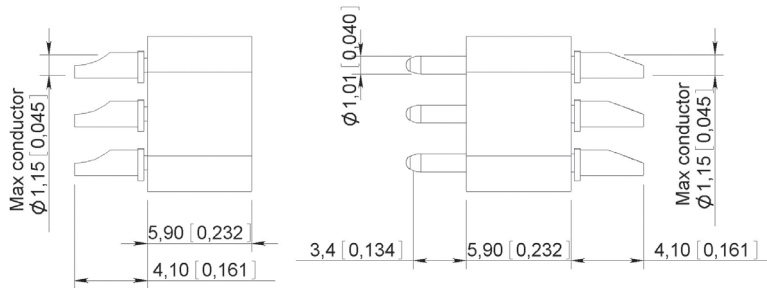


Termination Styles

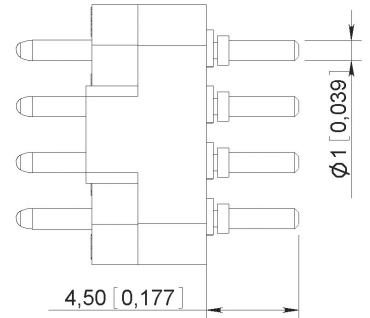
DIMENSIONS mm (inch)

All contacts arrangement and termination style have contacts stopped in rotation (except contact arrangements 42, 50 and 75 for these please contact us).

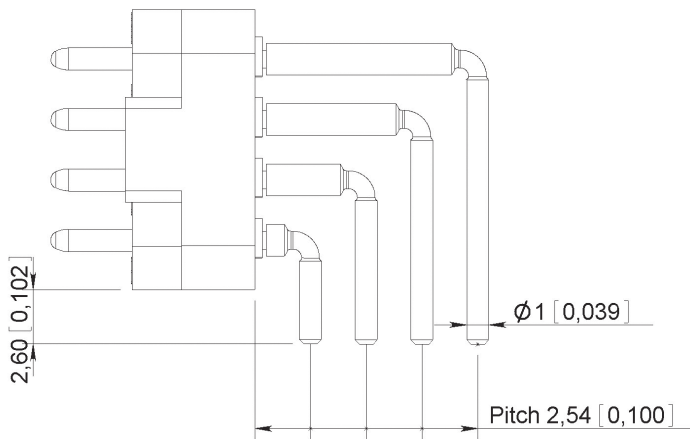
TYPE 85
Solder pot



TYPE 86 (1)
Straight solder pin for PCB



TYPE 87
Right angle solder pin for PCB



NOTE:

(1) The connectors are supplied with insulating washers which act as spacers between the insulator and the PCB

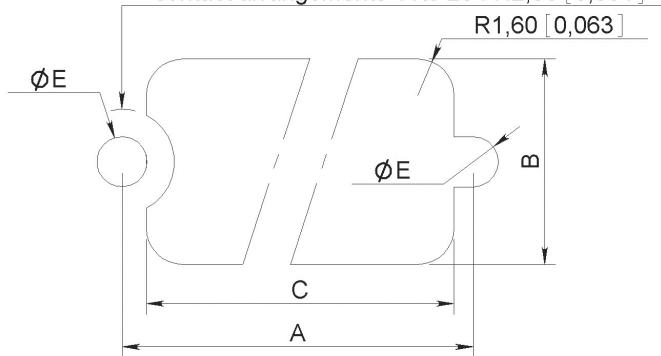
Panel Cut-Out

dimensions mm (inch)

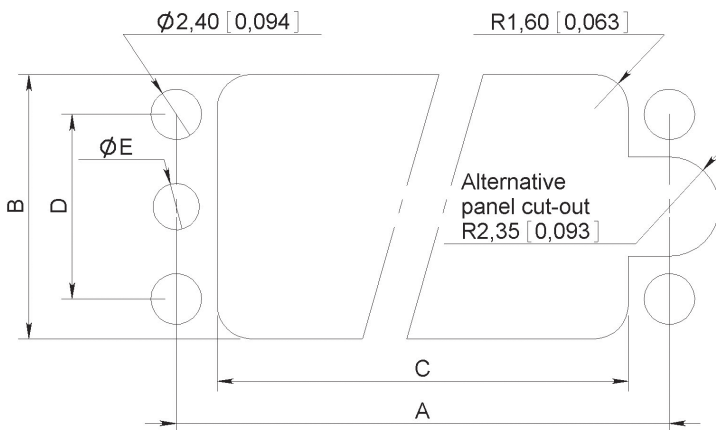
	Dimensions											
	02	03	05	07	11	14	20	26	34	42	50	75
A	9.52 (0.375)	9.52 (0.375)	13.48 (0.531)	15.87 (0.625)	15.87 (0.625)	19.05 (0.750)	25.4 (1)	31.75 (1.250)	33.34 (1.313)	39.68 (1.562)	46.03 (1.812)	46.03 (1.812)
B	6 (0.236)	6 (0.236)	6 (0.236)	6 (0.236)	9 (0.354)	9 (0.354)	9 (0.354)	9 (0.354)	12.5 (0.500)	12.5 (0.500)	12.5 (0.500)	18.28 (0.720)
C	7.2 (0.283)	7.2 (0.283)	11 (0.433)	13.5 (0.531)	13.5 (0.531)	17 (0.669)	23.5 (0.925)	29.5 (1.161)	29.46 (1.160)	35.81 (1.410)	42.16 (1.660)	42.16 (1.660)
D	-	-	-	-	-	-	-	-	8.73 (0.344)	8.73 (0.344)	8.73 (0.344)	14.27 (0.562)
∅E (ISO)	2.2 (0.087)	2.2 (0.087)	2.2 (0.087)	2.2 (0.087)	2.2 (0.087)	2.2 (0.087)	2.2 (0.087)	2.2 (0.087)	2.2 (0.087)	2.2 (0.087)	2.2 (0.087)	2.2 (0.087)
∅E (NC)	2.4 (0.094)	2.4 (0.094)	2.4 (0.094)	2.4 (0.094)	2.4 (0.094)	2.4 (0.094)	2.4 (0.094)	2.4 (0.094)	2.4 (0.094)	2.4 (0.094)	2.4 (0.094)	2.4 (0.094)

CONTACT ARRANGEMENTS 02 - 03 - 05 - 07 - 11 - 14 - 20 - 26

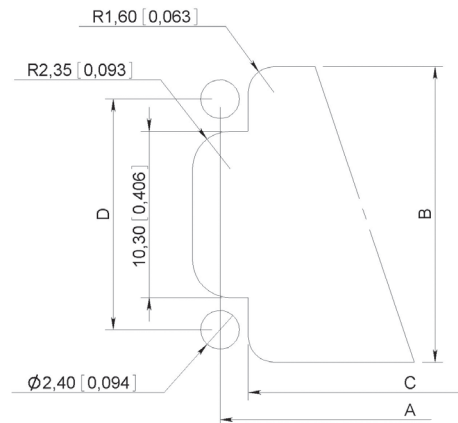
Alternative panel cut-out for contact arrangements 11 to 26 : R2,30 [0,091]



CONTACT ARRANGEMENTS 34 - 42 - 50

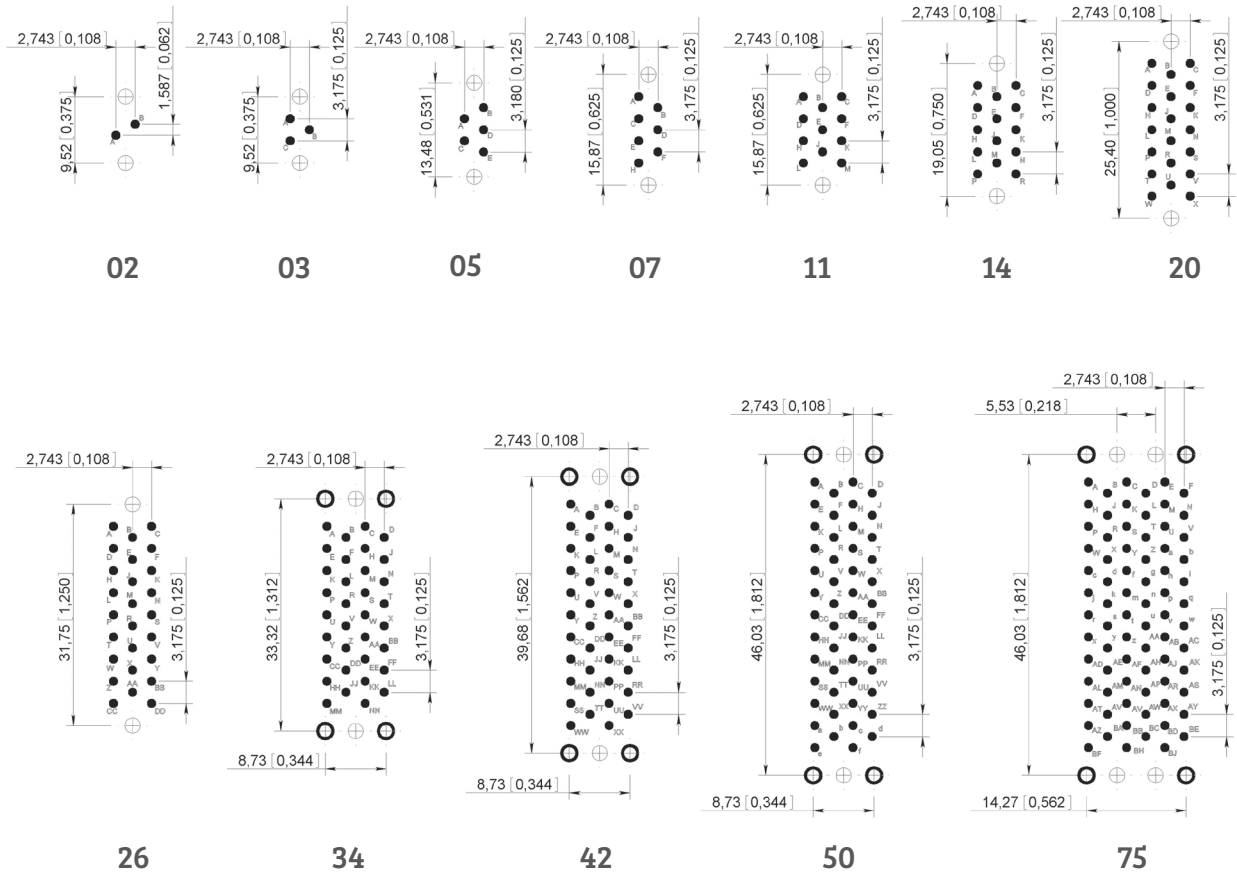


CONTACT ARRANGEMENT 75



Printed Circuit Drill Pattern

TYPE 86 Termination style - connector with SOCKET contacts – PCB component side view in mm (inch)

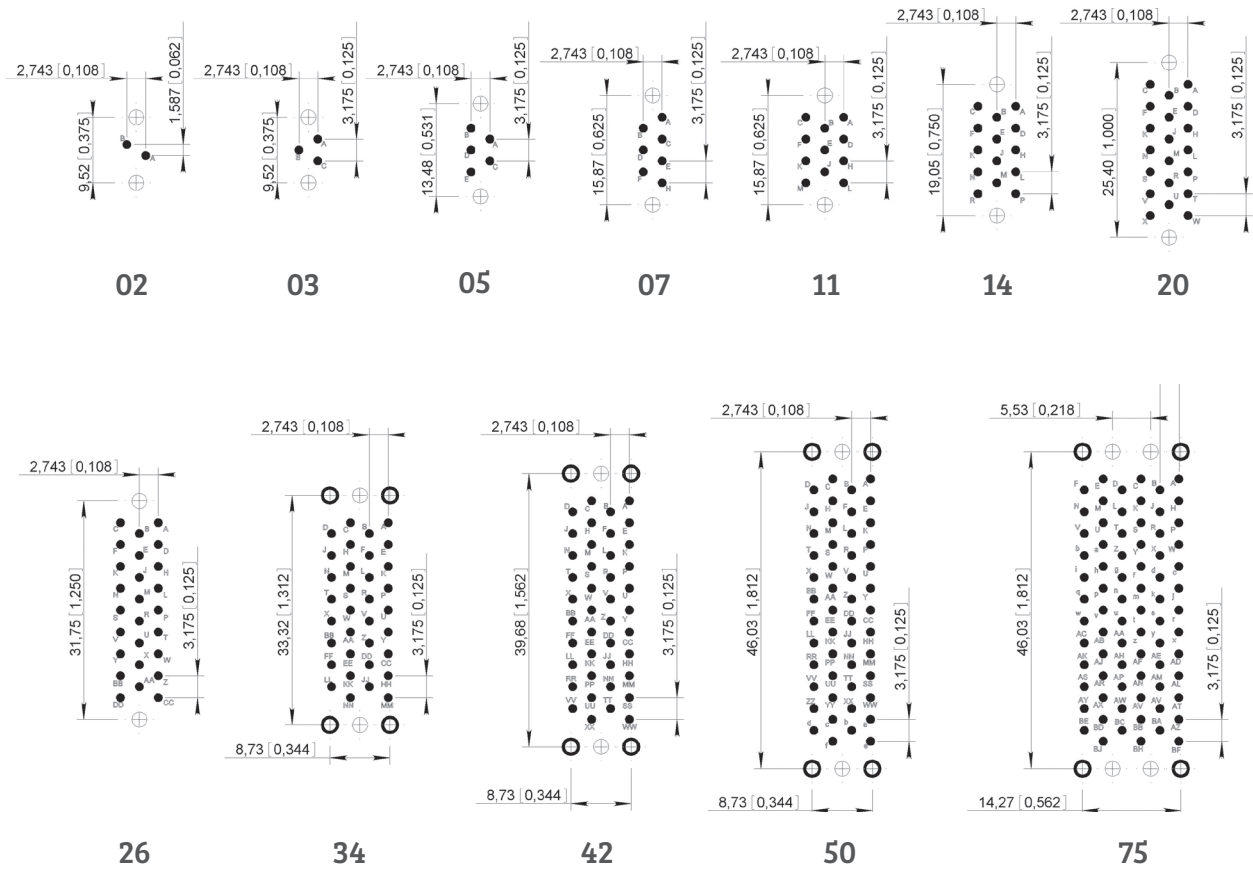


NOTES:

- Printed circuit drilling $\varnothing 1.1 + 0.1 (0.043 + 0.003)$
- Drilling to fix the connector $\varnothing 2.4 (0.094)$
- ⊕ Drilling to fix the connector. Required for guides G1 and GV fixing only:
 - 2.2 (0.087) \varnothing for ISO guides
 - 2.4 (0.094) \varnothing for UNC guides

Printed Circuit Drill Pattern

TYPE 86 Termination style - connector with PIN contacts – PCB component side view in mm (inch)

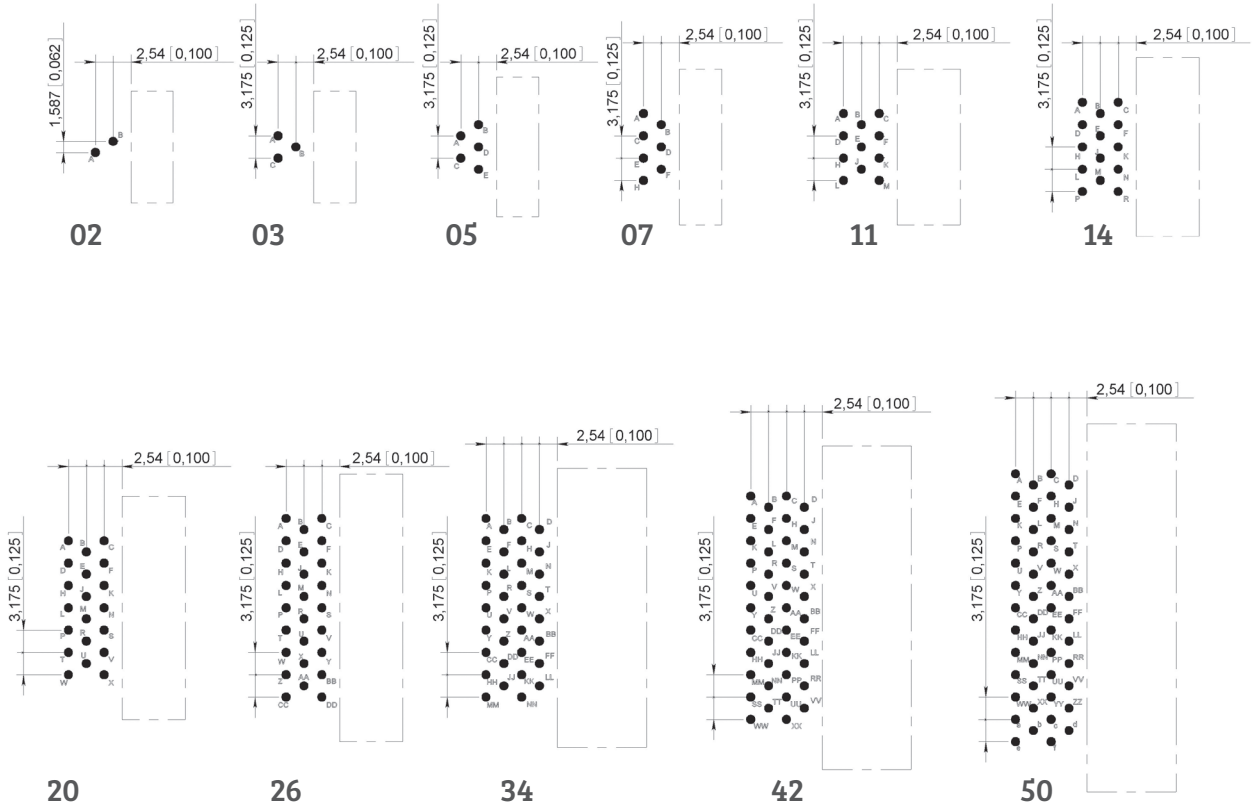


NOTES:

- Printed circuit drilling $\varnothing 1.1 +0.1 (0.043 +0.003)$
- Drilling to fix the connector $\varnothing 2.4 (0.094)$
- ⊕ Drilling to fix the connector. Required for guides G1 and GV fixing only:
 - 2.2 (0.087) \varnothing for ISO guides
 - 2.4 (0.094) \varnothing for UNC guides

Printed Circuit Drill Pattern

TYPE 87 Termination style - connector with SOCKET contacts – PCB component side view in mm (inch)

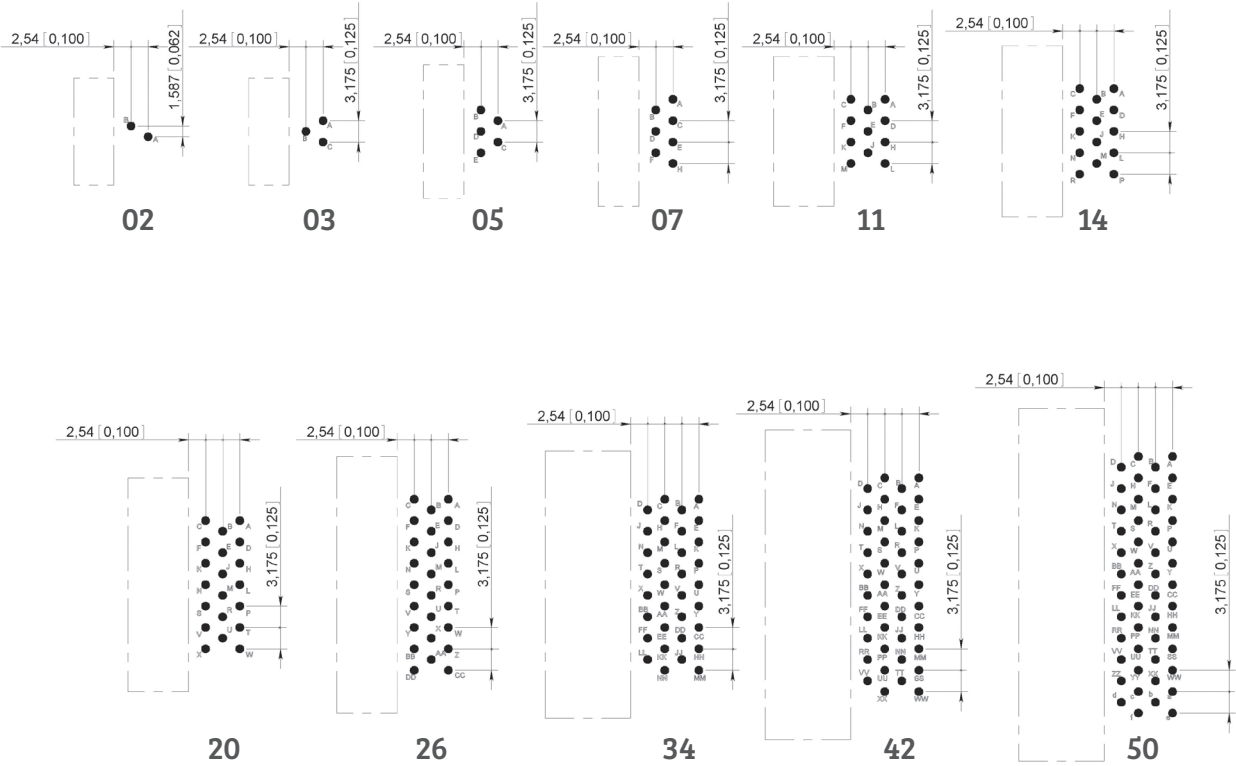


NOTE:

- Printed circuit drilling $\varnothing 1.1 +0.1 (0.043 +0.003)$

Printed Circuit Drill Pattern

TYPE 87 Termination style - connector with PIN contacts – PCB component side view in mm (inch)



NOTE:

- Printed circuit drilling $\varnothing 1.1 \pm 0.1$ (0.043 \pm 0.003)

MB SERIES

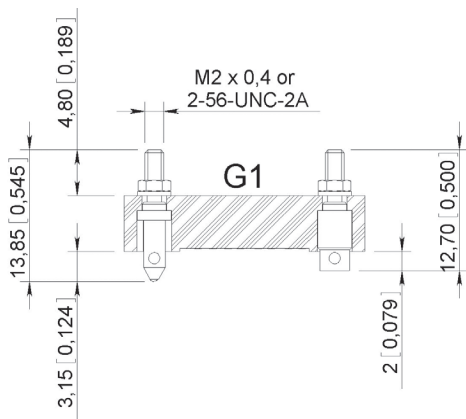
Guides and Jackscrews

Stainless steel guides and jackscrews are supplied with either ISO (M2 x 0.4) or UNC (2-56 UNC) threads. The guides or jackscrews types G1 – GV – VL and VR and type of thread (ISO or UNC) required are to be defined in the part number on page 9-20.

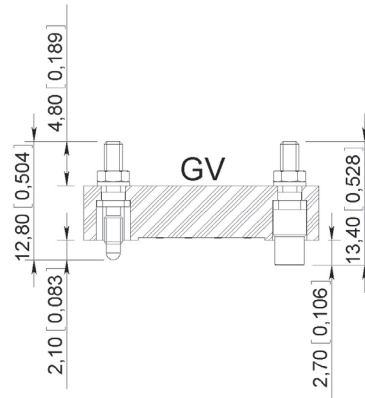
The standard configuration of guides and jackscrews is:

- Male guide (or jackscrew) at the end nearest contact A of the female connector.
- Female guide (or jackscrew) at the end nearest contact A of the male connector.

RACK GUIDES TYPE G1



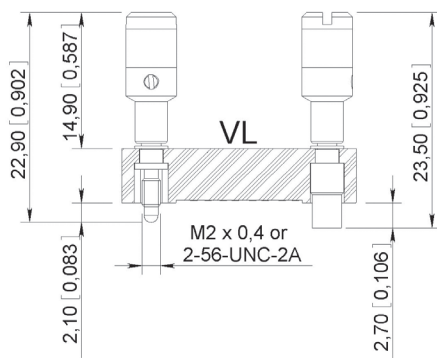
FIXED JACKSCREWS TYPE GV



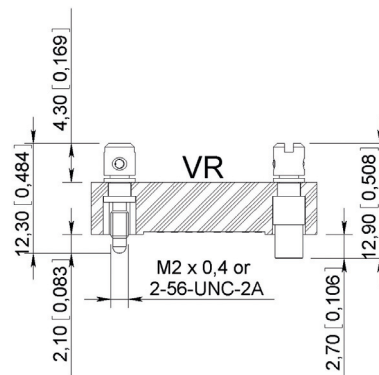
The 2,3, 5 and 7 way GV jackscrews are held securely in place by two flats on the jackscrews whereas the jackscrews for the other contact arrangements have a square section to avoid rotation.

These guide and jackscrews can be used with backshells HA and HL

LONG AND SHORT ROTATING JACKSCREWS TYPE VL – VR



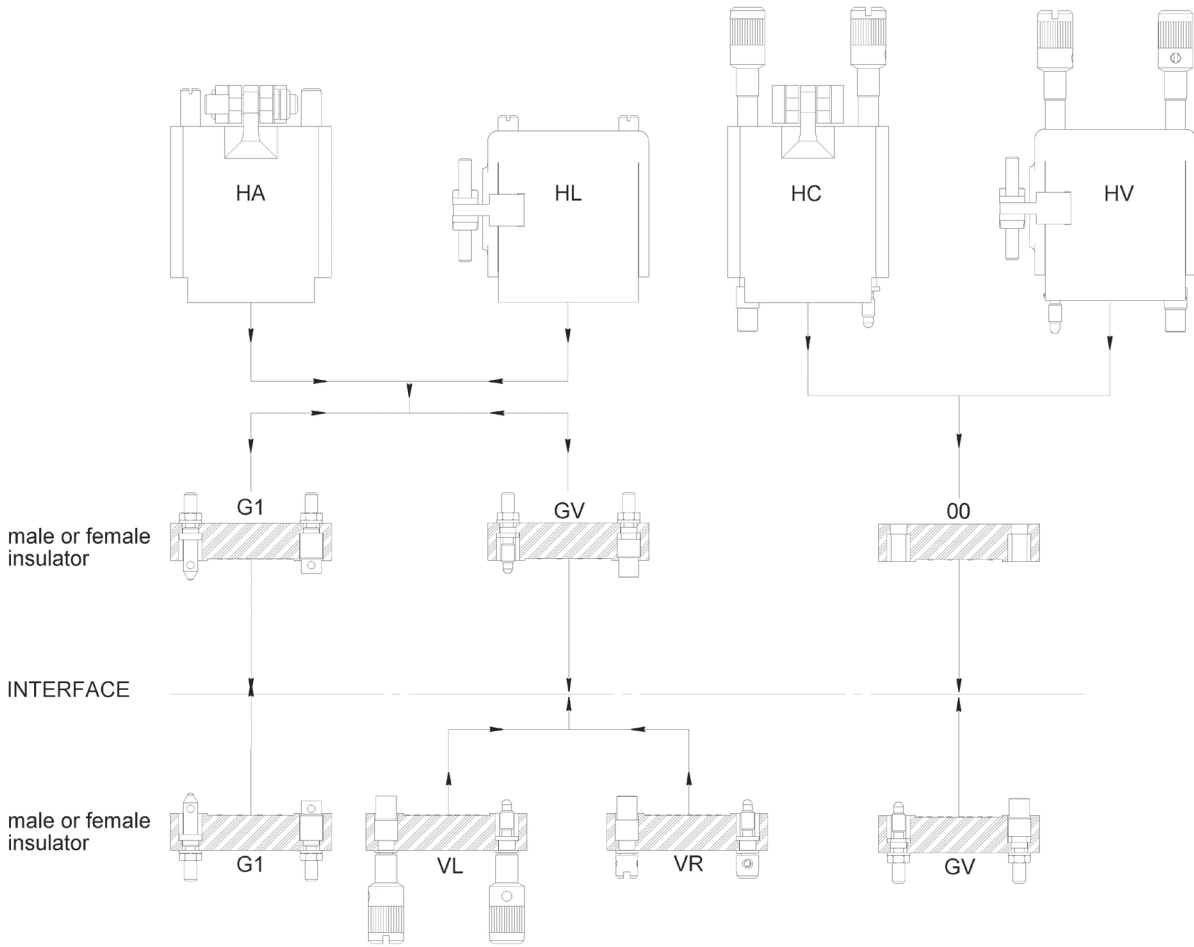
Mating torque: 0.2N.m
Not available for termination style type 87
Cannot be used with backshell



Mating torque: 0.2N.m
Cannot be used with backshell

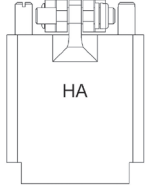
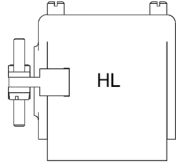
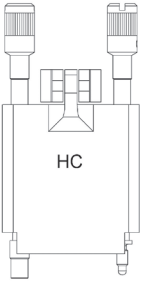
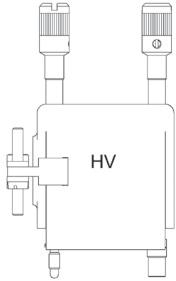
Connector Mating Compatibility

Use with backshell – Termination style type 85 only



Use without backshell – All termination style type

Backshell Type Availability

Thread		Backshell		Thread			
NC (2-56 UNC)	ISO (M2 x 0.4)			ISO (M2 x 0.4)	NC (2-56 UNC)		
07	07			-	-		
11	11			-	11		
14	14			-	14		
20	20			-	-		
26	26			-	26		
34	34			-	34		
50	50			-	50		
75	75			-	75 ⁽¹⁾		
07	07					-	-
11	11					11	11
14	14	14	14				
20	20	-	-				
26	26	26	26				
34	34	34	34				
50	50	50	50				
75	75	-	75 ⁽¹⁾				

Fixing of backshells only suitable for insulator with termination style type 85 (solder pot)

NOTE:

(1) Available for male contact arrangement only

Top Entry Backshells

TYPE HA

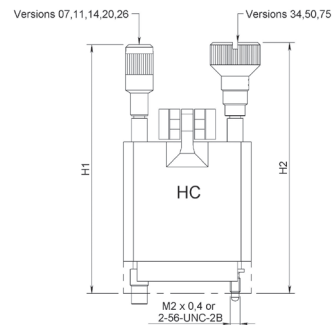
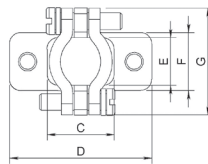
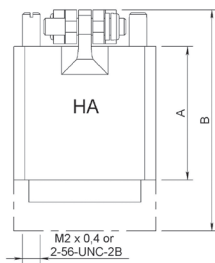
Backshells supplied with two internal threaded posts which are screwed into the guides G1 or jackscrews GV.

TYPE HC

Backshells supplied with two long rotating jackscrews. These backshells are mounted on connectors without guides or jackscrews.

PART NUMBERS

Contacts Arrangements	Type HA		Type HC	
	With threads M2 x 0.4	With threads 2-56 UNC	With screws M2 x 0.4	With screws 2-56 UNC
07	MB07HAIS2	MB07HANC	MB07HCIS	MB07HCNC
11	MB11HAIS2	MB11HANC	MB11HCIS	MB11HCNC
14	MB14HAIS2	MB14HANC	MB14HCIS	MB14HCNC
20	MB20HAIS2	MB20HANC	MB20HCIS	MB20HCNC
26	MB26HAIS2	MB26HANC	MB26HCIS	MB26HCNC
34	MB34HAIS2	MB34HANC	MB34HCIS	MB34HCNC
50	MB50HAIS2	MB50HANC	MB50HCIS	MB50HCNC
75	MB75HAIS2	MB75HANC	MB75HCIS	MB75HCNC



Mating torque:
0.15N.m

Dimensions mm (inch)

Contacts arrangements ⁽¹⁾	A	B	C	D	E	F	G	H1	H2 ⁽²⁾			
07	9.52 [0.375]	22.9 [0.902]	9.13 [0.359]	22.2 [0.874]	5.95 [0.234]	7.5 [0.295]	13.5 [0.531]	30.62 [1.205]	n/a			
11	23.8 [0.937]	37.2 [1.465]	11.9 [0.468]		25.4 [1]	8.7 [0.342]	10.3 [0.405]	15.87 [0.625]	48.8 [1.921]	n/a		
14			12.7 [0.500]	n/a								
20	30.16 [1.187]	48.4 [1.905]	18.26 [0.719]	31.7 [1.248]	12.7 [0.500]	14.3 [0.563]	23.8 [0.937]	55.2 [2.173]	n/a			
26			23 [0.905]	38.1 [1.500]					n/a			
34			20.6 [0.811]	39.7 [1.563]					18.2 [0.716]	19.8 [0.779]	34.52 [1.359]	n/a
50			22.2 [0.874]	52.4 [2.063]								n/a
75			23 [0.905]					55.6 [2.189]				

NOTES:

- (1) Fixing of backshells only suitable for insulator with termination style type 85 (solder pot)
- (2) Backshells 34, 50 and 75 are fitted with 4 screws to be fixed to the connector block

Side Entry Backshells

TYPE HA

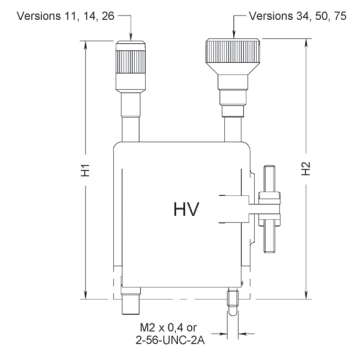
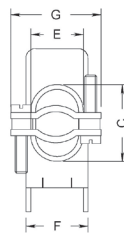
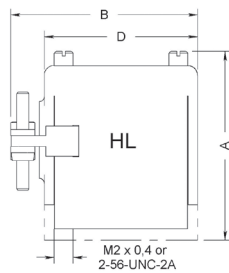
Backshells supplied with two internal threaded posts which are screwed into the guides G1 or jackscrews GV.

TYPE HC

Backshells supplied with two long rotating jackscrews. These backshells are mounted on connectors without guides or jackscrews.

PART NUMBERS

Contacts Arrangements	Type HA		Type HC	
	With threads M2 x 0.4	With threads 2-56 UNC	With screws M2 x 0.4	With screws 2-56 UNC
11	MB11HLIS2	MB11HLNC	MB11HVIS	MB11HVNC
14	MB14HLIS2	MB14HLNC	MB14HVIS	MB14HVNC
26	MB26HLIS2	MB26HLNC	MB26HVIS	MB26HVNC
34	MB34HLIS2	MB34HLNC	MB34HVIS	MB34HVNC
50	MB50HLIS2	MB50HLNC	MB50HVIS	MB50HVNC
75	-	MB75HLNC ⁽¹⁾	-	MB75HVNC ⁽¹⁾



Mating torque: 0.15N.m

Dimensions mm (inch)

Contacts arrangements ⁽²⁾	A	B	C	D	E	F	G	H1	H2 ⁽³⁾
11	31.7 (1.248)	29.8 (1.173)	11.9 (0.469)	22.2 (0.874)	8.7 (0.343)	10.3 (0.406)	15.87 (0.625)	48.8 (1.921)	n/a
14		32.9 (1.295)	12.7 (0.500)	25.4 (1)					n/a
26	37.7 (1.484)	49.2 (1.937)	23 (0.906)	38.1 (1.500)	8.72 (0.343)	14.3 (0.563)	23.8 (0.937)	n/a	n/a
34		51.6 (2.031)	20.6 (0.811)	39.7 (1.563)	12.7 (0.500)		26.98 (1.062)		49.2 (1.937)
50		64.3 (2.531)	22.2 (0.874)	52.4 (2.063)	18.2 (0.717)		19.8 (0.780)		
75		65.5 (2.579)	23 (0.906)	52.4 (2.063)					n/a

NOTES:

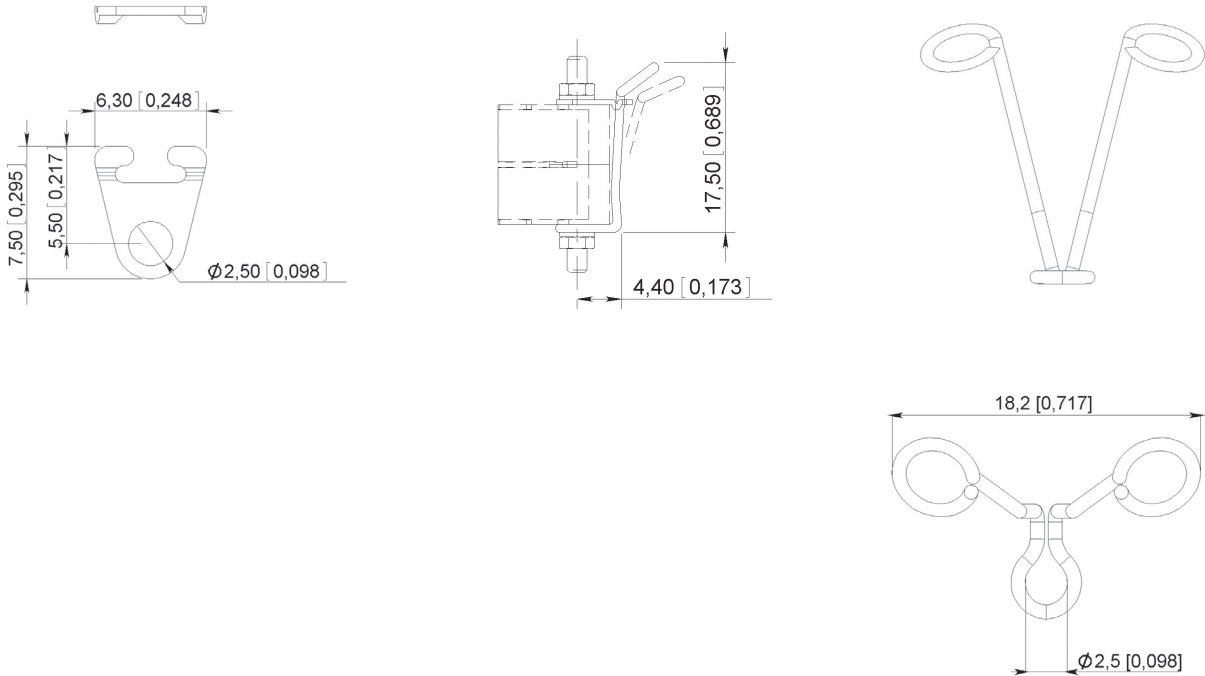
- (1) Available for male contact arrangement only
- (2) Fixing of backshells only suitable for insulator with termination style type 85 (solder pot)
- (3) Backshells 34, 50 and 75 are fitted with 4 screws to be fixed to the connector block

Accessories

SPRING LOCKING SYSTEM

This simple locking system avoids accidental disconnection of connectors fitted to equipment which may be subjected to severe vibration. This system can be used where connector fitted with G1 guides are used with or without backshell.

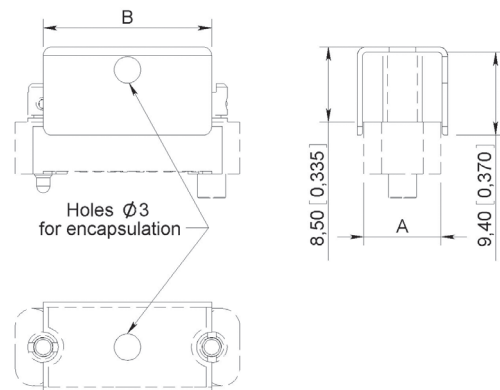
Part number of a pair: 624895



POTTING MOULDS

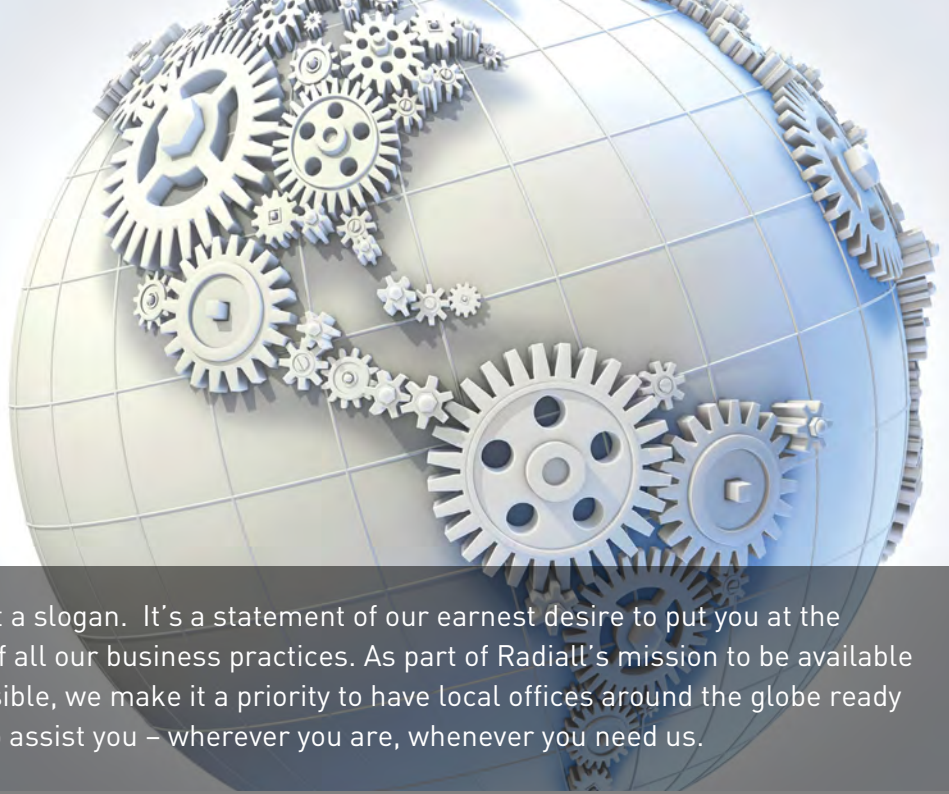
The plastic potting moulds are designed to fit onto the wiring side of the connectors in order so that the wiring and back end can be encapsulated. They can be used with connectors fitted with G1 guides and GV and VR jackscrews.

Contacts Arrangements	Part numbers	Type HA	
		A	B
02 -03	624994	5.9 [0.232]	9.5 [0.374]
05	624992	5.9 [0.232]	13.5 [0.531]
07	624991	5.9 [0.232]	15.9 [0.626]
11	624993	9 [0.354]	15.9 [0.626]
14	624995	9 [0.354]	19 [0.748]



MB SERIES

Notes



Our most
important
connection
is with you.™

It's not just a slogan. It's a statement of our earnest desire to put you at the forefront of all our business practices. As part of Radiall's mission to be available and accessible, we make it a priority to have local offices around the globe ready and able to assist you – wherever you are, whenever you need us.

Europe

	ADDRESS	PHONE	FAX	EMAIL
FINLAND	Radiall Finland PO Box 202 - 90101 Oulu	+358 407522412		infofi@radiall.com
FRANCE	Radiall SA 101 Rue Philibert Hoffmann 93116 Rosny Sous Bois	+33 1 49 35 35 35	+33 1 49 35 35 14	infofr@radiall.com
GERMANY	Radiall GmbH Carl Zeiss Str. 10 Postfach 200143 D63307 Rödermark	+49 60 74 91 07 0	+49 60 74 91 07 70	infode@radiall.com
ITALY	Radiall Elettronica S.R.L Via della Resistenza 113 - 20090 Buccinasco Milano	+39 02 48 85 121	+39 02 48 84 30 18	infoit@radiall.com
NETHERLANDS	Radiall Nederland BV Hogebrinkerweg 15b - 3871 KM Hoevelaken	+31 33 253 40 09	+31 33 253 45 12	infont@radiall.com
SWEDEN	Radiall AB Sjöängsvägen 2 - SE - 192 72 Sollentuna	+46 8 444 34 10	+46 8 754 49 16	infose@radiall.com
UNITED KINGDOM	Radiall Ltd Ground Floor 6 The Grand Union Office Park Packet Boat Lane UXBRIDGE Middlesex UB8 2GH United Kingdom	+44 (0)1895 425000	+44 (0)1895 425010	infouk@radiall.com

Asia

	ADDRESS	PHONE	FAX	EMAIL
CHINA	Shanghai Radiall Electronics CO, Ltd N° 390 Yong He Rd SHANGHAI 200072 P.R.C	+86 21 66523788	+86 21 66521177	infosh@radiall.com
HONG KONG	Radiall Electronics (Asia) Ltd Flat D, 6/F, Ford Glory Plaza, 37-39 Wing Hong Street - Cheung Sha Wan - Kowloon - Hong Kong	+852 29593833	+852 29592636	infohk@radiall.com
INDIA	Radiall India Pvt. Ltd 25.D.II phase Peenya Industrial Area. Bangalore-560058	+91 80 23720989	+91 80 28397228	infoin@radiall.com
JAPAN	Nihon Radiall Shibuya-Ku Ebisu 1-5-2, Kougetsu Bldg 405 - Tokyo 150-0013	+81 3 34406241	+81 3 34406242	infojp@radiall.com

Americas

	ADDRESS	PHONE	FAX	EMAIL
USA & CANADA	Radiall USA, Inc. 8950 South 52nd Street Ste 401 Tempe, AZ 85284	+1 480-682-9400	+1 480-682-9403	infousa@radiall.com

Also Represented In...

AUSTRALIA AUSTRIA BELGIUM BRAZIL CZECH REPUBLIC DENMARK ESTONIA GREECE HUNGARY INDONESIA ISRAEL KOREA LATVIA LITHUANIA
MALAYSIA NORWAY PHILIPPINES POLAND PORTUGAL RUSSIA SINGAPORE SPAIN SWITZERLAND TAIWAN THAILAND VIETNAM SOUTH AFRICA

X-ON Electronics

Largest Supplier of Electrical and Electronic Components

Click to view similar products for [Rectangular MIL Spec Connectors](#) category:

Click to view products by [Radiall](#) manufacturer:

Other Similar products are found below :

[006-1169-16](#) [CSR31343-0001-00000](#) [CSR31346-0001-A0001](#) [CSR31899-0001-00000](#) [CSR31900-0001-A0001](#) [CTJ-3D-05](#) [CTS-S16/16](#)
[M55302/57A36X](#) [M55302/58-A70Y](#) [65002-062](#) [65008-D08](#) [CY4602-000](#) [732-8020-01](#) [732-8021-02 B](#) [77058-22-55PN](#) [81542-20](#)
[86.030.0053.0](#) [1241346-1](#) [RM252-020-311-2900](#) [DMC-M 08-16 SNE](#) [1589051-4](#) [BACC65CAMA](#) [BACC65CAMN](#) [BACC65CP1PN](#)
[BACI10BC1220PN](#) [18023-9](#) [HSB-D4S03DM222X](#) [2217548-1](#) [891-009-15SA2-BRT1T](#) [SIM2S100A](#) [1604996-2](#) [SMD25PN90L-4055](#)
[1925036-4](#) [220A012-25225-0](#) [22628-10-6P-791](#) [CSR31343-0001-A0001](#) [CSR31899-0001-A0001](#) [CSR31900-0001-00000](#) [33526M11-08PD](#)
[RE04-212S](#) [CTD160E01F-6148](#) [CTJ112E03B](#) [CTJ122E02D-8000](#) [CTJ-3D-12](#) [CTJ920E06N-513](#) [CTL-16-090](#) [CTR06-5100SY](#)
[M55302/63A20H](#) [M55302/66-30H](#) [M81714/63-22S W/PLUGS INS](#)