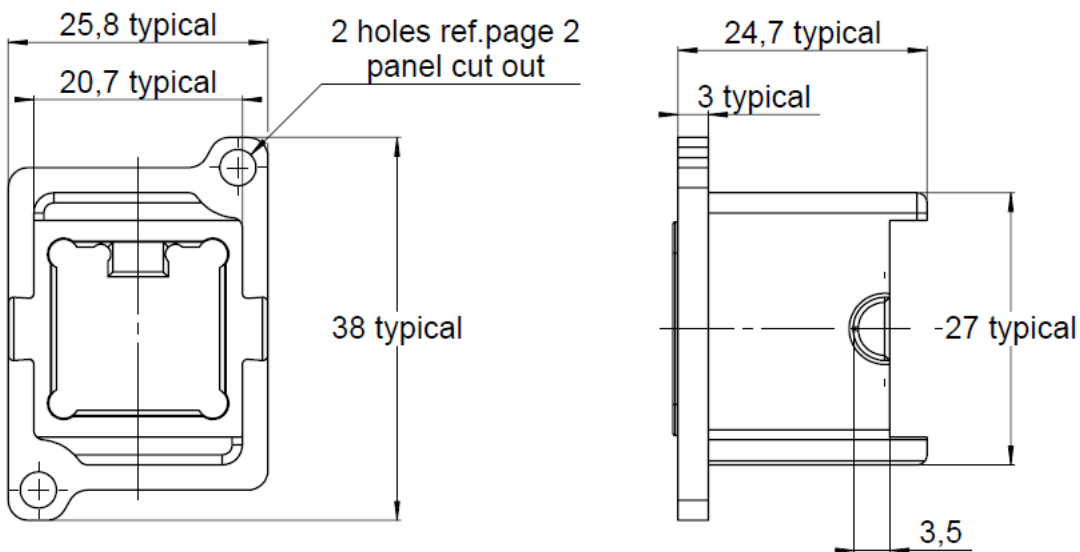
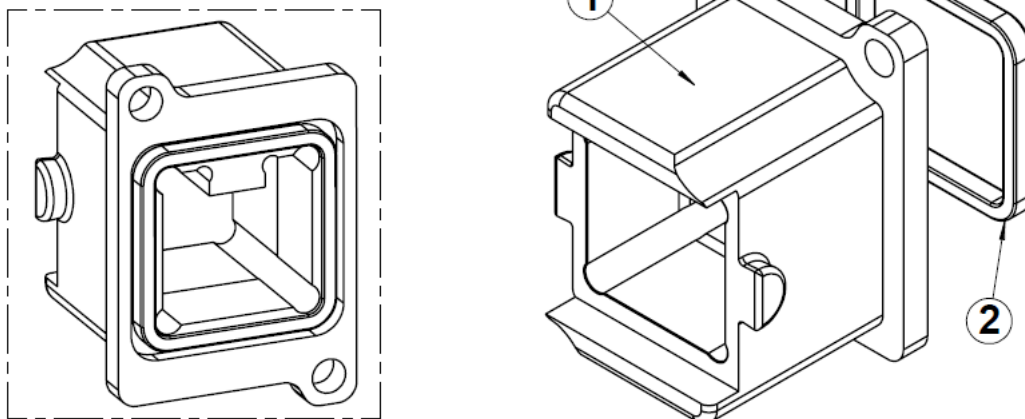


PAGE 1/4	ISSUE <b>05-03-19A</b>	SERIES <b>OCTIS</b>	PART NUMBER <b>OCT1107500</b>
----------	------------------------	---------------------	-------------------------------



**Packing configuration**



All dimensions are in mm. Tolerances according ISO 2768 m-H

**DESCRIPTION**

REP	COMPONENT	MATERIALS	PLATING
1	Screwable Receptacle Body	ALUMINIUM	CHEMICAL PASSIVATION
2	Panel Sealing Gasket	SILICONE	-

PAGE 2/4	ISSUE <b>05-03-19A</b>	SERIES <b>OCTIS</b>	<b>PART NUMBER OCTI107500</b>
----------	------------------------	---------------------	-------------------------------

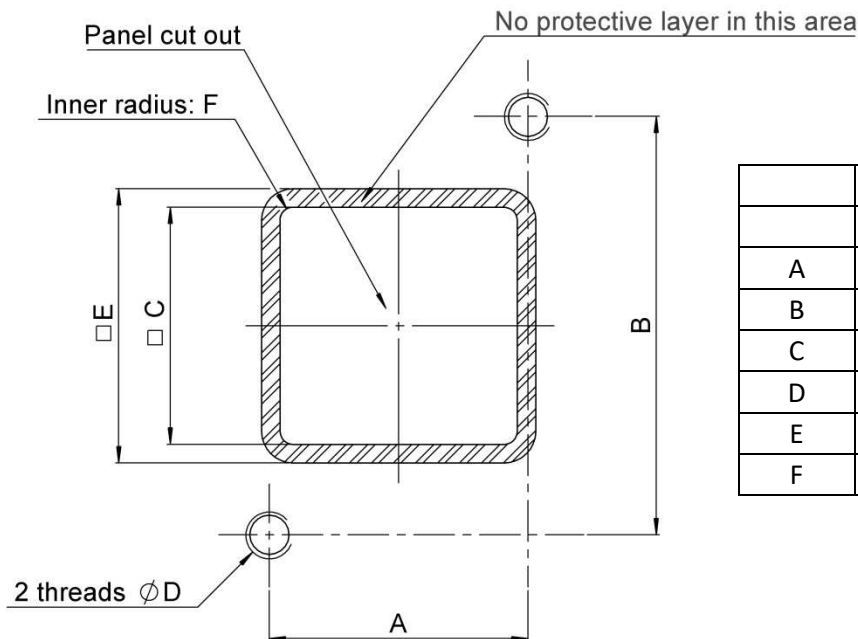
**GENERAL CHARACTERISTICS**

<b>Mechanical</b> Mating endurance (cycles) Axial Tensile load (N typical) Vibration Recom. coupling torque (N.cm) Weight (g)	IEC 61300-2-2 IEC 61300-2-4 IEC 61300-2-1	100 - 17.7130
<b>Environmental</b> Protection class Operating temperature (°C) Storage temperature (°C) Salt Mist  RoHS Flammability UVB Resist (h)	IEC 60529 IEC 61300-2-22 IEC 61300-2-22 IEC 61300-2-26 (ISO21207 method B)  - UL 94 ASTM G154 cycle 2	IP67 * -40 / +85 -65 / +85 720h *  Compliant V0 1000
<b>Others:</b> Equipment interface  Packaging	-  -	For use with OCTIS™ plug or receptacle cap **  24 pcs by tray

\* Mated condition

\*\* If the interface is to be die casted into the equipment panel, please contact Radiall for license conditions and interface definition

**PANEL CUT OUT**

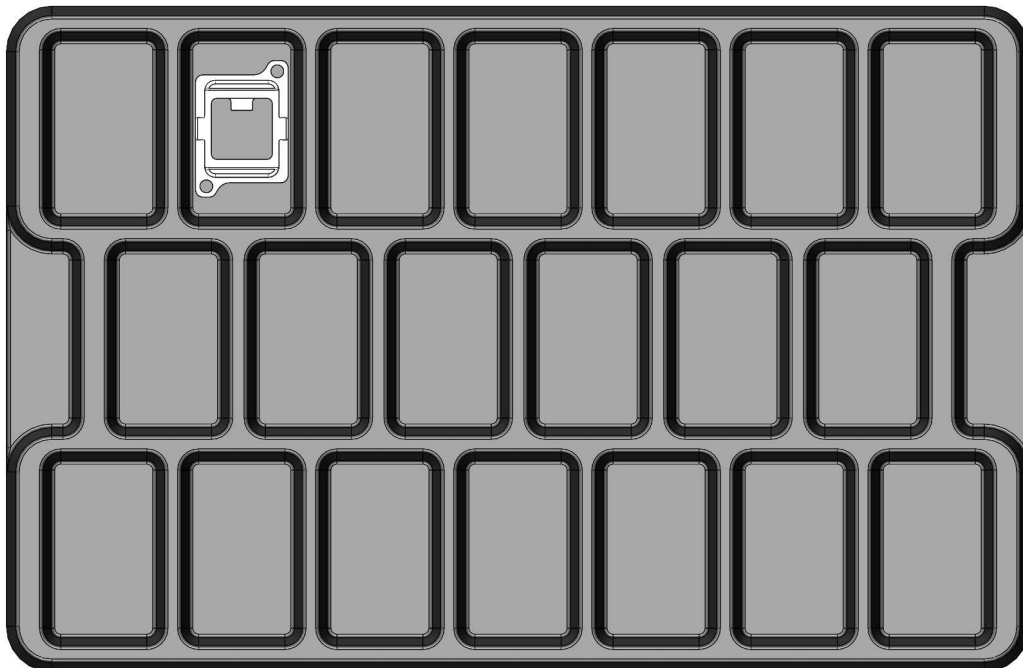
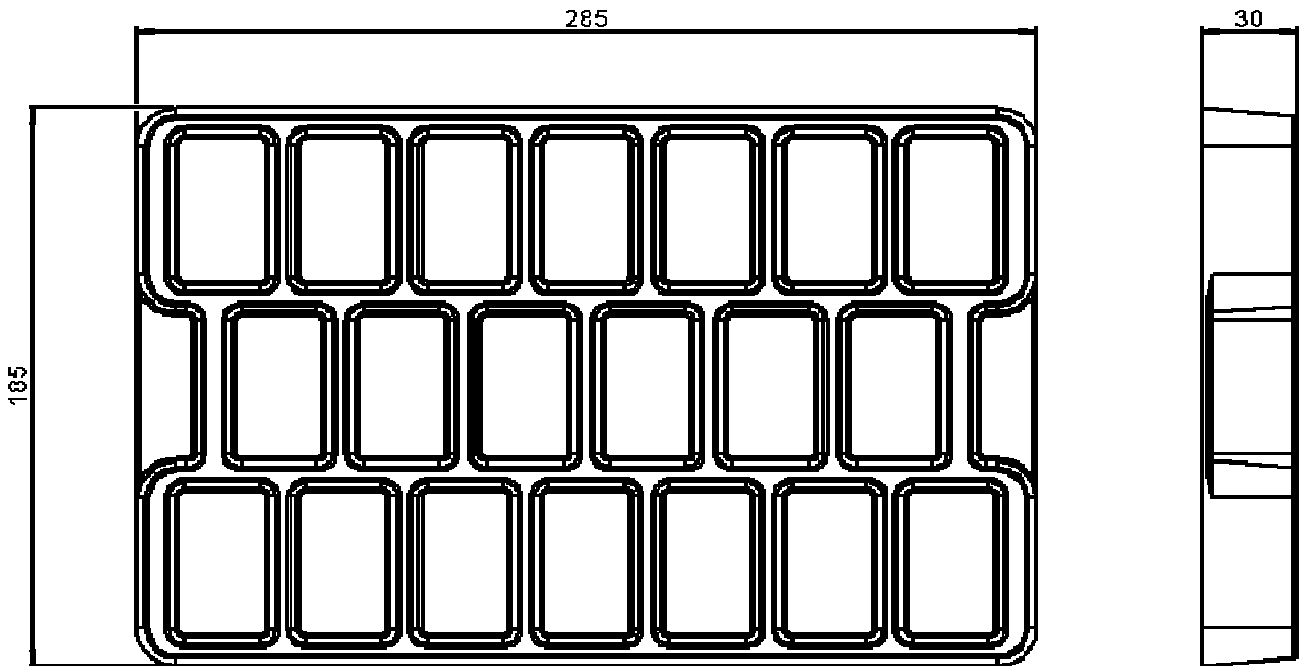


	mm	
	Min.	Max.
A	19.7	19.9
B	31.9	32.1
C	16.5	16.8
D	M3	-
E	19.5	20
F	-	0.5

PAGE 3/4	ISSUE 05-03-19A	SERIES OCTIS	PART NUMBER OCT1107500
----------	-----------------	--------------	------------------------

PACKAGING:

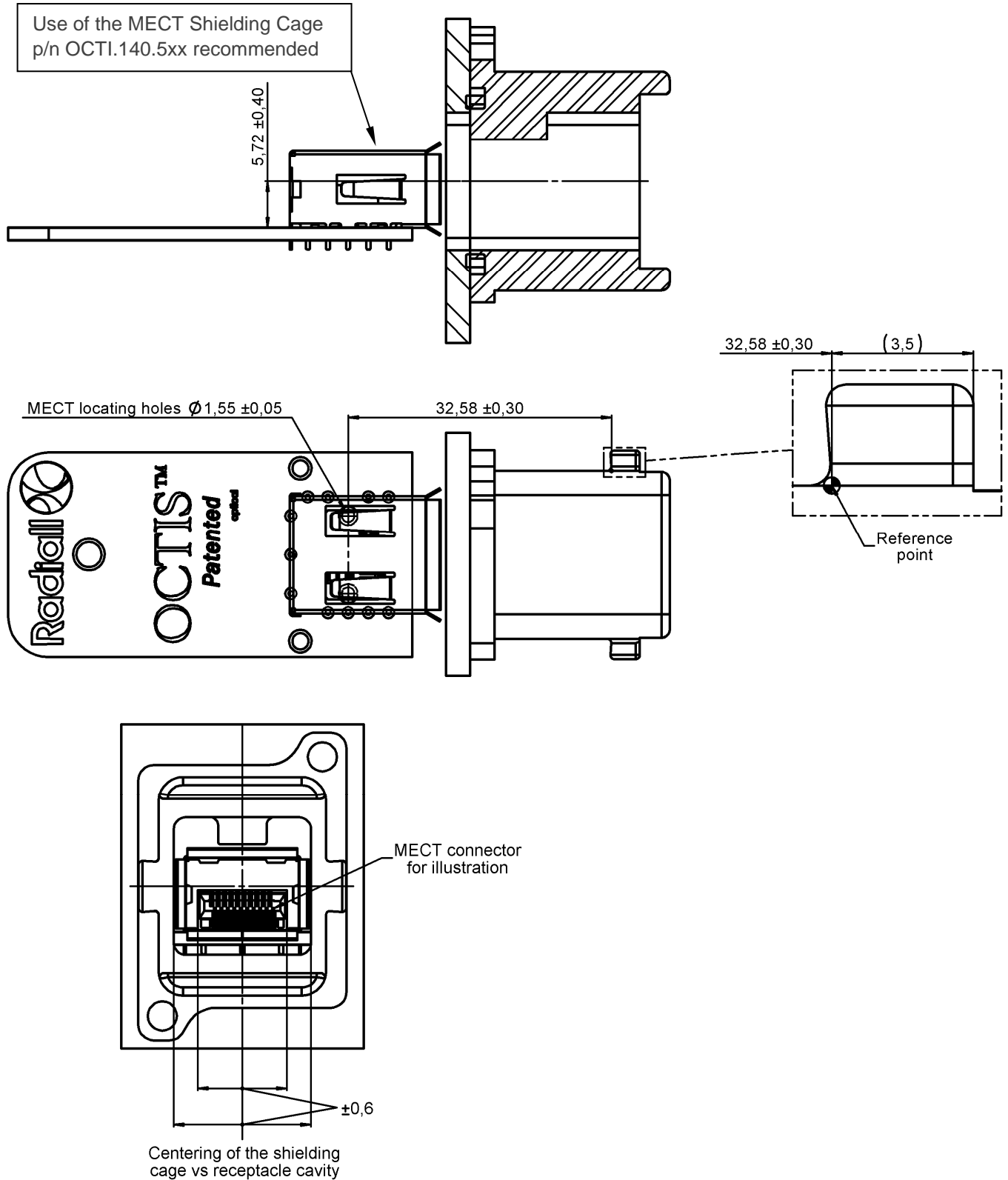
Packaging in Hot Formed Tray



only for positioning illustration

PAGE 4/4	ISSUE 05-03-19A	SERIES OCTIS	PART NUMBER OCTI107500
----------	-----------------	--------------	------------------------

**POSITIONNING AND PATTERN DEFINITION**



**only for positioning illustration**

## X-ON Electronics

Largest Supplier of Electrical and Electronic Components

*Click to view similar products for [I/O Connectors](#) category:*

*Click to view products by [Radiall](#) manufacturer:*

Other Similar products are found below :

[571763P](#) [72.250.1628.2](#) [72.250.2428.2](#) [74720-0505](#) [76.350.0729.0](#) [76871-1403](#) [FCN-244F080-G/1](#) [FCN-260A9920](#) [MP-5T180MUNNA-005](#)  
[PCR-E36PM](#) [PCS-XE26MA+](#) [G38A71314B](#) [1571250010](#) [157-22500-3](#) [MS3471L14-19P L/C](#) [91-569786-35H](#) [172501-4002](#) [172501-6002](#)  
[FCN-260C008-A/L0](#) [FCN-260C024-AL0](#) [FCN-261Z008](#) [2000314-1](#) [200331-1](#) [PCR-E36FC+](#) [PCS-E28FS+](#) [PCS-XE26SLFD+](#) [PCS-](#)  
[XE26SLFDT+](#) [G730VID08BDC24](#) [U90B2054081210](#) [UE86K842720321](#) [38113800006](#) [DP3AR020WQ1R200](#) [Z4.102.0680.0](#) [500-1040](#)  
[500-1052](#) [500-1054](#) [ZP-4008-66L](#) [0709821002](#) [10-565995-597N](#) [DX40-20P\(55\)](#) [5554841-1](#) [MS3474W18-8P-LC\\*](#) [U90B3054061110](#) [U65-](#)  
[E04-4020](#) [ZPF000000000097891](#) [557-262M2-06C](#) [747360449](#) [10099439-003C-TRLF](#) [10137239-0021LF](#) [E9320-001-01](#)