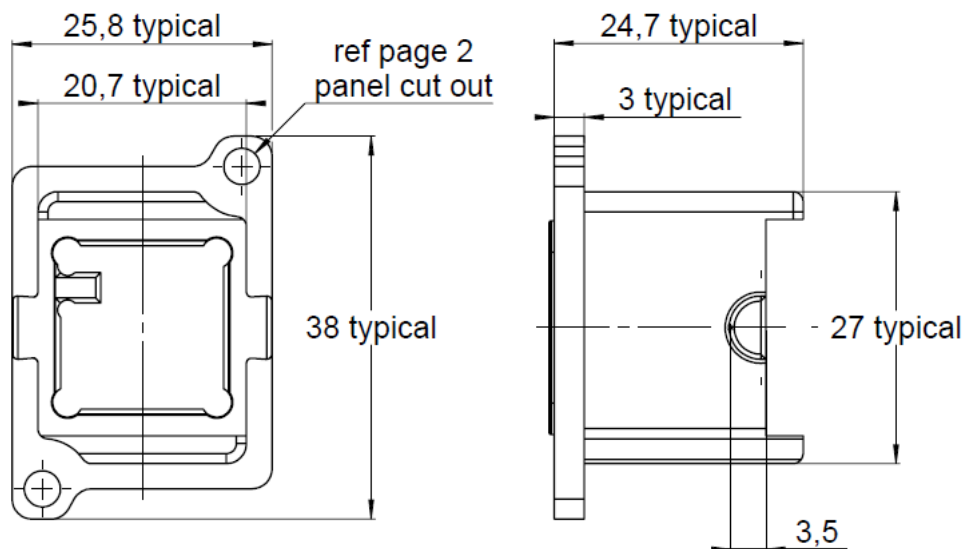
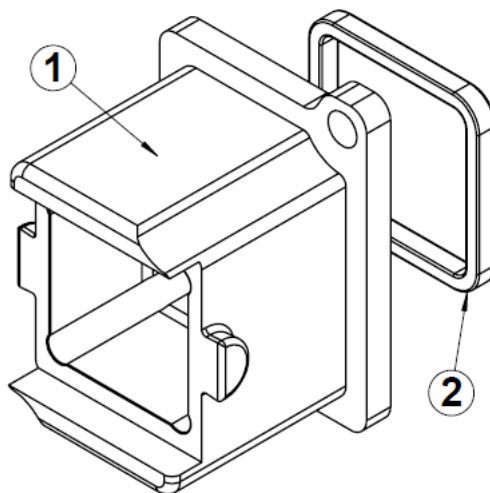
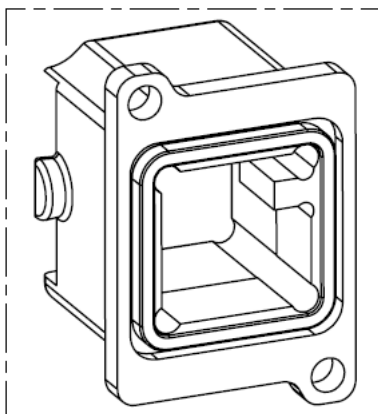


PAGE 1/4	ISSUE 29-01-19A	SERIES OCTIS	PART NUMBER OCTI307500
----------	-----------------	--------------	------------------------



Packing configuration



All dimensions are in mm. Tolerances according ISO 2768 m-H

DESCRIPTION

REP	COMPONENT	MATERIALS	PLATING
1	Screwable Receptacle Body	ALUMINIUM	CHEMICAL PASSIVATION
2	Panel Sealing Gasket	SILICONE	-

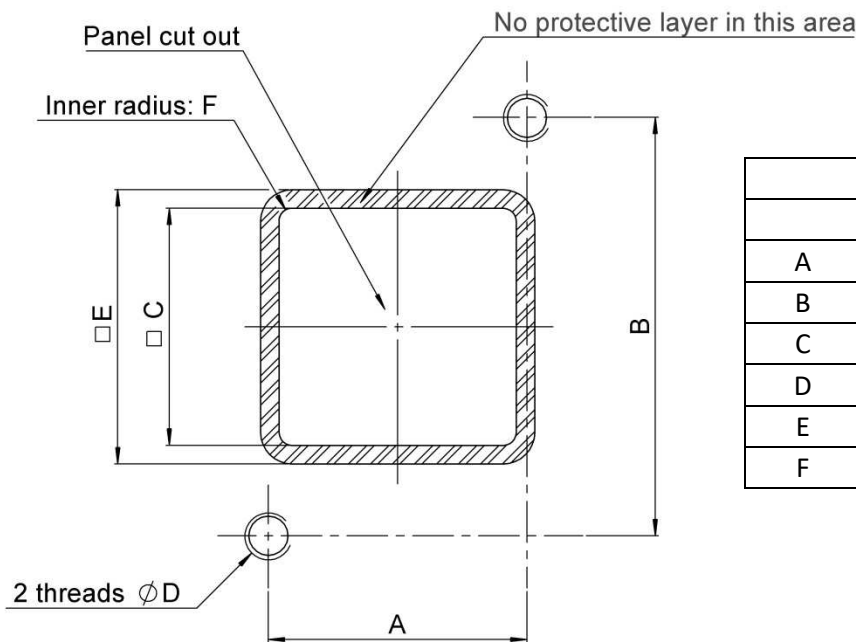
PAGE 2/4	ISSUE 29-01-19A	SERIES OCTIS	PART NUMBER OCTI307500
----------	-----------------	--------------	------------------------

GENERAL CHARACTERISTICS

Mechanical Mating endurance (cycles) Vibration Weight (g)	IEC 61300-2-2 IEC 61300-2-1 -	100 - 17.5690
Environmental Protection class Operating temperature (°C) Storage temperature (°C) Salt Mist RoHS Flammability UVB Resist (h)	IEC 60529 IEC 61300-2-22 IEC 61300-2-22 IEC 61300-2-26 (ISO21207 method B) - UL 94 ASTM G154 cycle 2	IP67 * -40 / +85 -65 / +85 720h * Compliant V0 1000
Others: Equipment interface Packaging	- -	For use with OCTIS™ plug or receptacle cap 24 pcs by tray

* Mated condition

PANEL CUT OUT

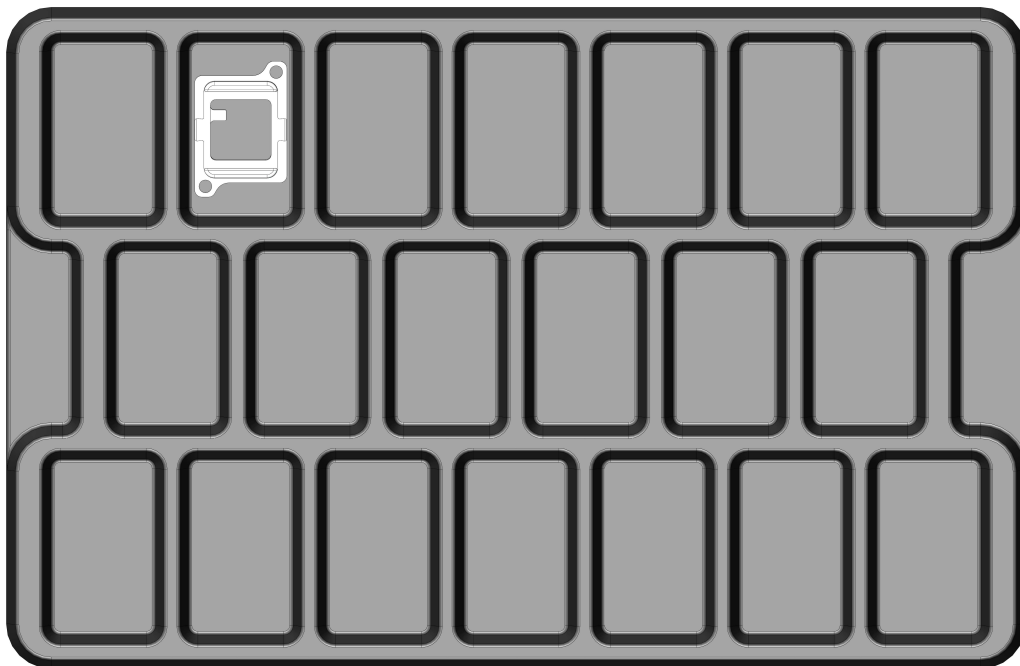
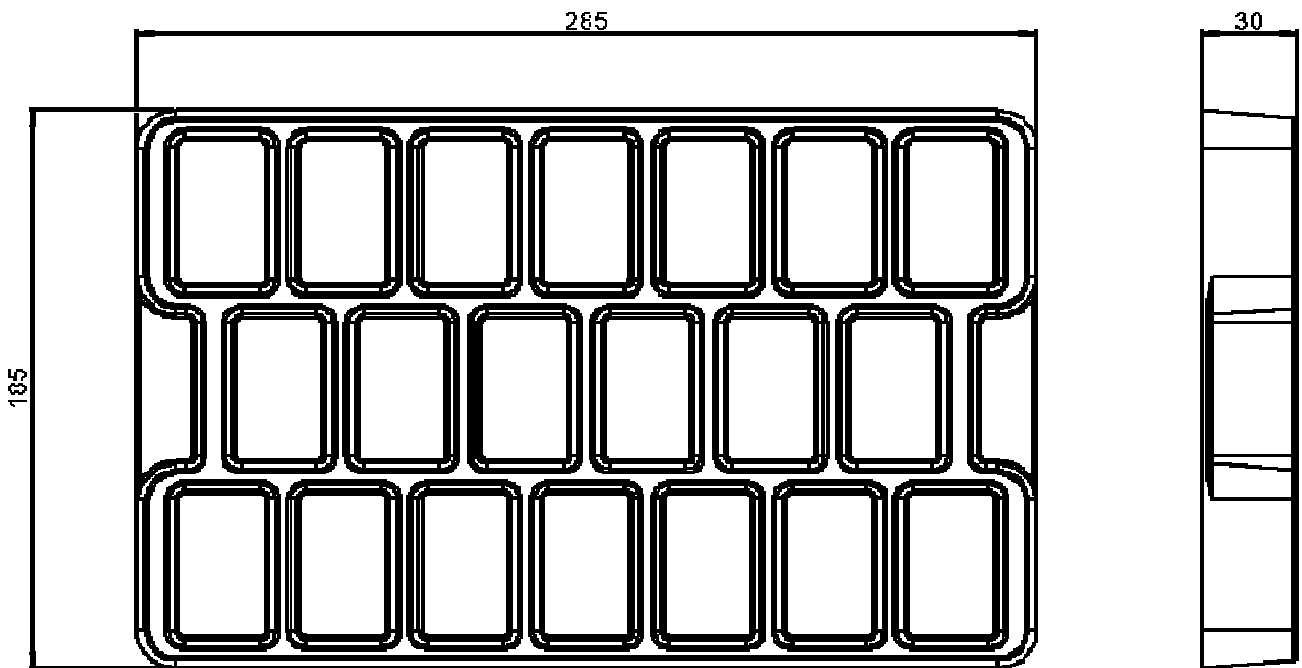


	mm	
	Min.	Max.
A	19.7	19.9
B	31.9	32.1
C	16.5	16.8
D	M3	-
E	19.5	20
F	-	0.5

PAGE 3/4	ISSUE 29-01-19A	SERIES OCTIS	PART NUMBER OCTI307500
----------	-----------------	--------------	------------------------

PACKAGING:

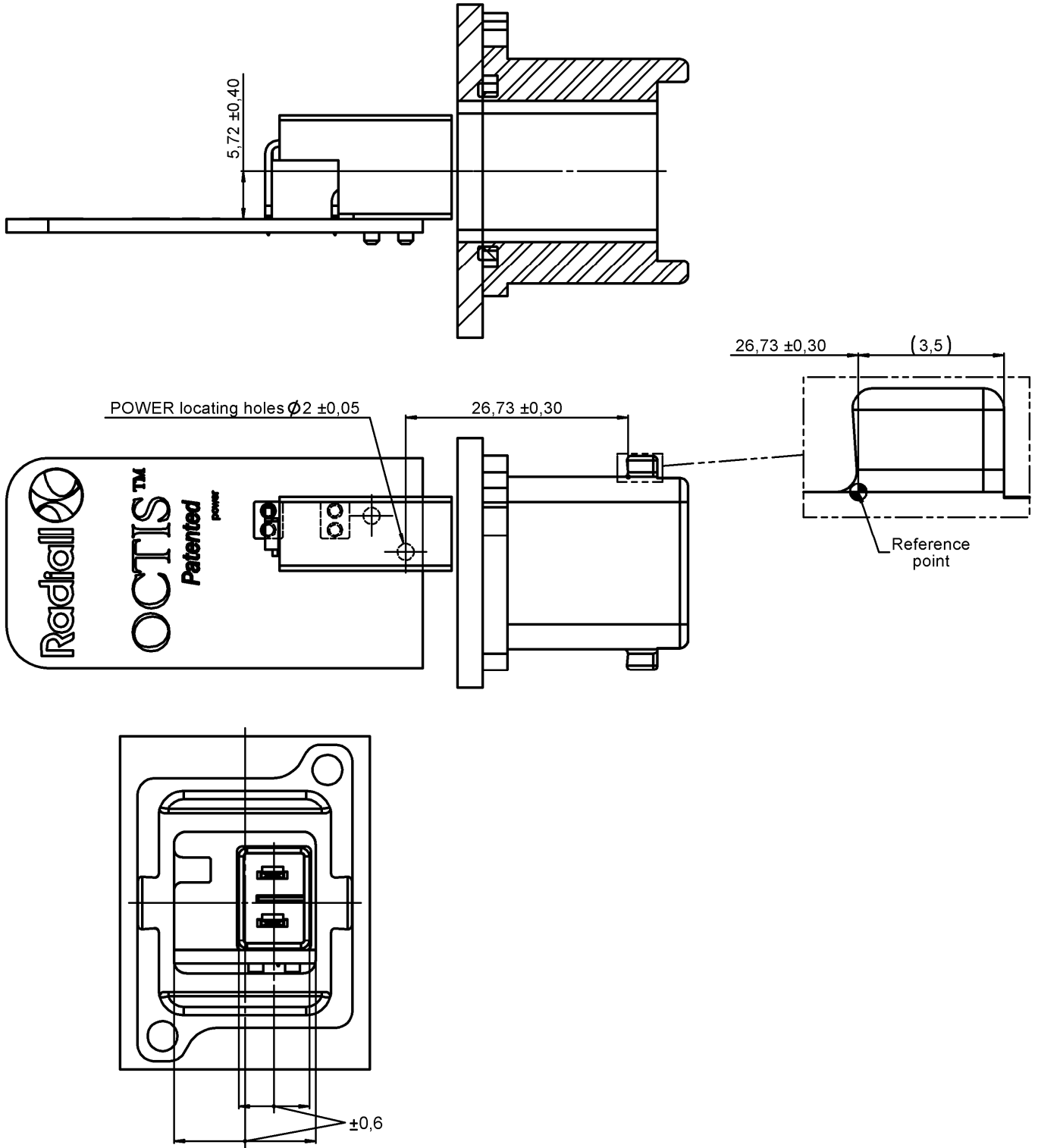
Packaging in Hot Formed Tray



only for positioning illustration

PAGE 4/4	ISSUE 29-01-19A	SERIES OCTIS	PART NUMBER OCTI307500
----------	-----------------	--------------	------------------------

POSITIONNING AND PATTERN DEFINITION



Centering of the POWER receptacle vs receptacle cavity

only for positioning illustration

X-ON Electronics

Largest Supplier of Electrical and Electronic Components

Click to view similar products for [I/O Connectors](#) category:

Click to view products by [Radiall](#) manufacturer:

Other Similar products are found below :

[571763P](#) [58098-0628](#) [72.250.1628.2](#) [72.250.2428.2](#) [74720-0505](#) [76.350.0729.0](#) [76871-1403](#) [FCN-244F080-G/1](#) [FCN-260A9920](#) [MP-5T180MUNNA-005](#) [PCR-E36PM](#) [PCS-XE26MA+](#) [G38A71314B](#) [DX40-50P\(55\)](#) [1571250010](#) [157-22500-3](#) [MS3471L14-19P L/C](#) [91-569786-35H](#) [172501-4002](#) [172501-6002](#) [FCN-260C008-A/L0](#) [FCN-260C024-AL0](#) [FCN-261Z008](#) [2000314-1](#) [200331-1](#) [PCR-E36FC+](#) [PCS-E28FS+](#) [PCS-XE26SLFD+](#) [PCS-XE26SLFDT+](#) [G730VID08BDC24](#) [U90B2054081210](#) [UE86K842720321](#) [38113800006](#)
[DP3AR020WQ1R200](#) [Z4.102.0680.0](#) [500-1040](#) [500-1052](#) [500-1054](#) [ZP-4008-66L](#) [0709821002](#) [10-565995-597N](#) [DX40-20P\(55\)](#) [5554841-1](#)
[MS3474W18-8P-LC*](#) [U90B3054061110](#) [U65-E04-4020](#) [ZPF000000000097891](#) [557-262M2-06C](#) [747360449](#) [10099439-003C-TRLF](#)