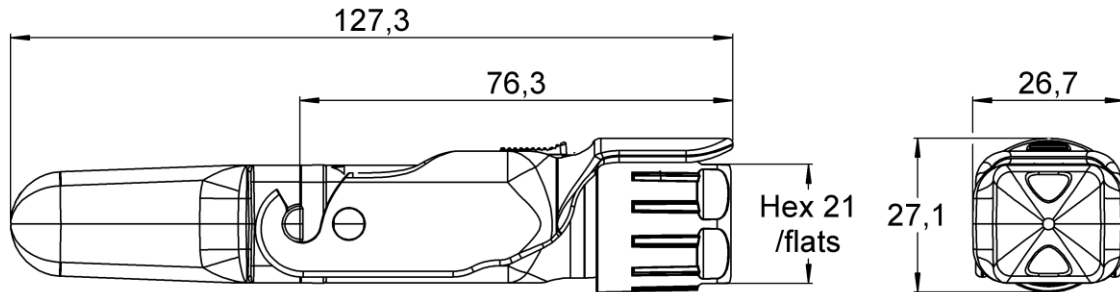
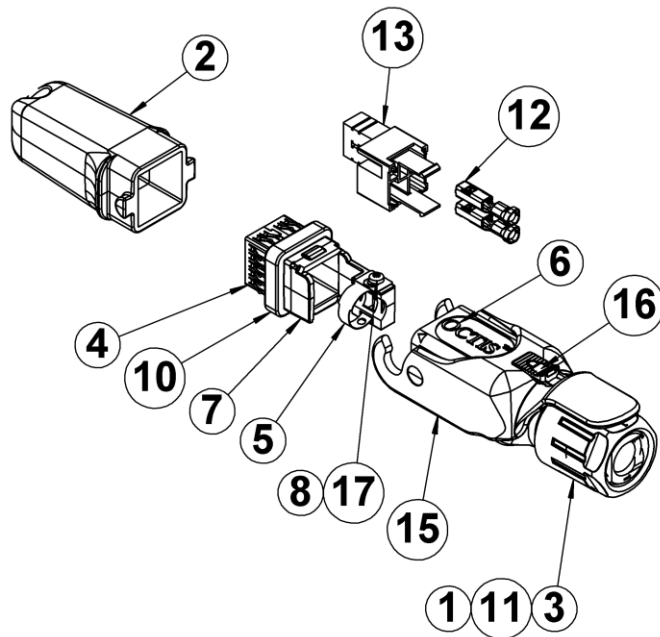
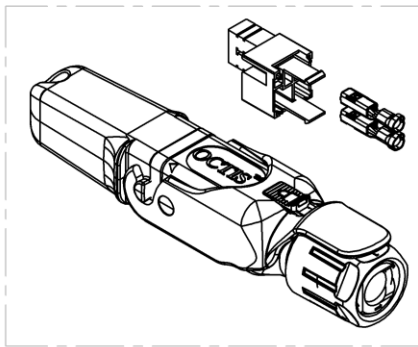


PAGE 1/2	ISSUE 17-03-16A	SERIES OCTIS	PART NUMBER OCTI317500
----------	-----------------	--------------	------------------------



**Packing configuration**



All dimensions are in mm.

**DESCRIPTION**

REP	COMPONENT	MATERIALS	PLATING
1	Tightening cone	NYLON	-
2	Plug cap	PBT GF	-
3	Gland nut	PBT GF	ORANGE COLOR
4	Grounding ring	STAINLESS STEEL	-
5	Tightening strap	STAINLESS STEEL	-
6	Housing	PBT GF	-
7	Holder	ZAMAK	PASSIVATED
8	Nut	STEEL	-
10	Interface sealing gasket	SILICONE	-
11	Split rubber gland	SILICONE	-
12	Power contact	COPPER ALLOY	SN
13	Combo housing	PLASTIC	-
15	Lever	IXEF	-
16	Locking button	PBT GF	-
17	Pozidrive screw M2x12	STEEL	-

PAGE 2/2	ISSUE 17-03-16A	SERIES OCTIS	PART NUMBER OCTI317500
----------	-----------------	--------------	------------------------

**GENERAL CHARACTERISTICS**

<b>Mechanical</b> Mating endurance (cycles) Axial Tensile load (N min) Vibration Recom. coupling torque (N.cm) Weight (g)	IEC 61300-2-2 IEC 61300-2-4 IEC 61300-2-1 - -	100 150 - 200 min. / 250 max. 58,1850
<b>Electrical</b> Working voltage Current rating Insulation resistance	- - - -	Max. 300 AC or DC* 16A with AWG16 wire (7xAWG24)* 20A with AWG14 wire (7xAWG22)* -
<b>Environmental</b> Protection class (mated condition) Operating temperature (°C) Storage temperature (°C) Humidity (damp heat) (%RH) Salt Mist RoHS Flammability UVB Resist	IEC 60529 IEC 61300-2-22 IEC 61300-2-22 IEC 61300-2-19 IEC 61300-2-26 (ISO21207 method B) - UL 94 ASTM G154	IP67 (**) -40 / +85 -40 / +85 5 / 95 720h (To be tested) (**) Compliant V0 Compliant
<b>Others:</b>  Cable  Packaging	- -	For use with OCTI POWER panel interface or receptacle  AWG16 to AWG14 stranded wire Outer jacket diameter 8.4 min, 9.4 max  Unitary in plastic bag with assembly note

(\*) To be confirmed at qualification

(\*\*) Mated condition

## X-ON Electronics

Largest Supplier of Electrical and Electronic Components

*Click to view similar products for [I/O Connectors](#) category:*

*Click to view products by [Radiall](#) manufacturer:*

Other Similar products are found below :

[571763P](#) [72.250.1628.2](#) [72.250.2428.2](#) [74720-0505](#) [76.350.0729.0](#) [76871-1403](#) [FCN-244F080-G/1](#) [FCN-260A9920](#) [MP-5T180MUNNA-005](#)  
[PCR-E36PM](#) [PCS-XE26MA+](#) [G38A71314B](#) [1571250010](#) [157-22500-3](#) [MS3471L14-19P L/C](#) [91-569786-35H](#) [172501-4002](#) [172501-6002](#)  
[FCN-260C008-A/L0](#) [FCN-260C024-AL0](#) [FCN-261Z008](#) [2000314-1](#) [200331-1](#) [PCR-E36FC+](#) [PCS-E28FS+](#) [PCS-XE26SLFD+](#) [PCS-](#)  
[XE26SLFDT+](#) [G730VID08BDC24](#) [U90B2054081210](#) [UE86K842720321](#) [38113800006](#) [DP3AR020WQ1R200](#) [Z4.102.0680.0](#) [500-1040](#)  
[500-1052](#) [500-1054](#) [ZP-4008-66L](#) [0709821002](#) [10-565995-597N](#) [DX40-20P\(55\)](#) [5554841-1](#) [MS3474W18-8P-LC\\*](#) [U90B3054061110](#) [U65-](#)  
[E04-4020](#) [ZPF000000000097891](#) [557-262M2-06C](#) [747360449](#) [10099439-003C-TRLF](#) [10137239-0021LF](#) [E9320-001-01](#)