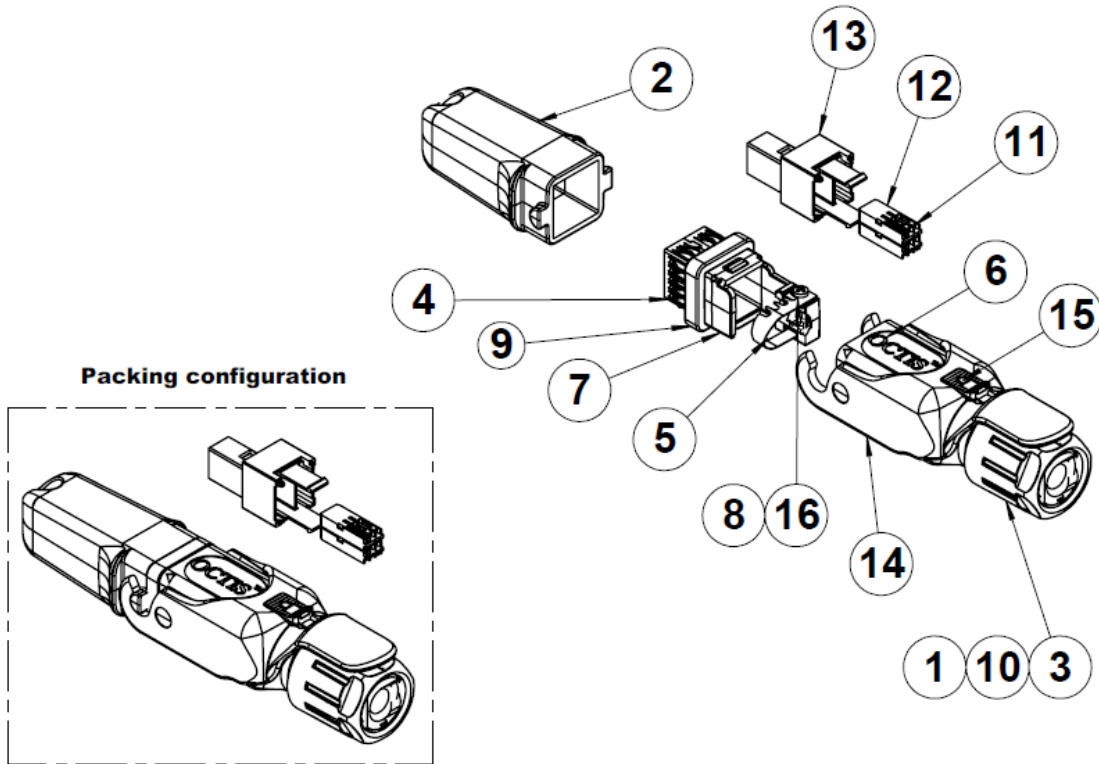
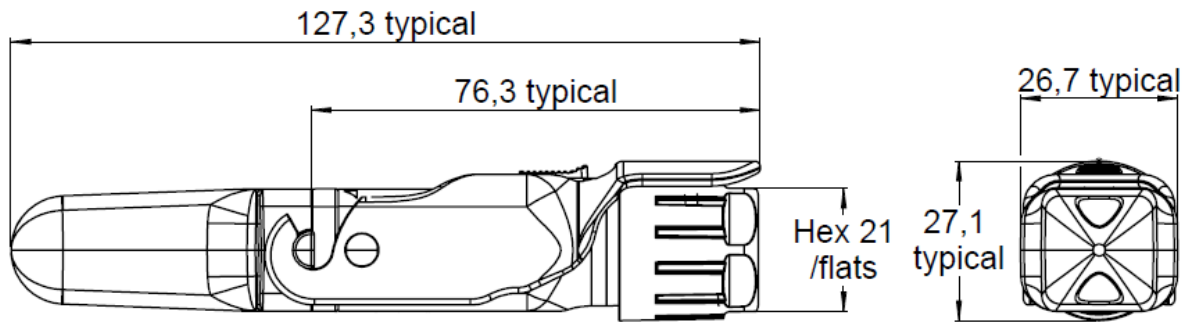
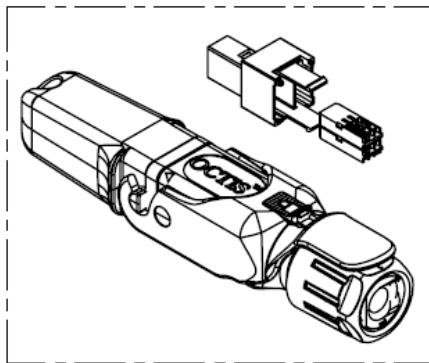


PAGE 1/3	ISSUE 19-02-19A	SERIES OCTIS	PART NUMBER OCTI417500
----------	-----------------	--------------	------------------------



Packing configuration



All dimensions are in mm. Tolerances according ISO 2768 m-H

DESCRIPTION

REP	COMPONENT	MATERIALS	PLATING
1	Tightening cone	NYLON	-
2	Plug cap	PBT GF	-
3	Gland nut	PBT GF	YELLOW COLOR
4	Grounding ring	STAINLESS STEEL	-
5	Tightening strap	STAINLESS STEEL	-
6	Housing	PBT GF	-
7	Holder	ZAMAK	PASSIVATED
8	Nut	STEEL	-
9	Interface sealing gasket	SILICONE	-
10	Rubber gland Ø7	SILICONE	-
11	Signal contact	COPPER ALLOY	SN
12	Signal contacts housing	PLASTIC	-
13	Signal housing	PLASTIC	-
14	Lever	IXEF	-
15	Locking button	PBT GF	-
16	Pozidriv screw M2x12	STEEL	-

PAGE 2/3	ISSUE 19-02-19A	SERIES OCTIS	PART NUMBER OCTI417500
----------	-----------------	--------------	------------------------

GENERAL CHARACTERISTICS

Mechanical Mating endurance (cycles) Axial Tensile load (N typical) Vibration Recom. coupling torque (N.cm) Weight (g)	IEC 61300-2-2 IEC 61300-2-4 IEC 61300-2-1 - -	100 100 * - 250 min. / 300 max. 60.059
Electrical Working voltage (V AC Max) Contact resistance (mΩ max) Current rating (A) Insulation resistance (MΩ min)	- - - -	300 55 1A per contact (all contacts powered) 5000 (after environmental exposure)
Signal Integrity performance Cross talk Impedance of pairs IL RL	- - - -	Pair to pair @20MHz < -60dB All pairs to one victim @ 20MHz < -54dB (powersum) 100Ω +/- 10% @ 30 MHz < 0.1 dB @ 30MHz < -37 dB @ 20MHz
Environmental Protection class Operating temperature (°C) Storage temperature (°C) Humidity (damp heat) (%RH) Salt Mist RoHS Flammability UVB Resist (h)	IEC 60529 IEC 61300-2-22 IEC 61300-2-22 IEC 61300-2-19 IEC 61300-2-26 (ISO21207 method B) - UL 94 ASTM G154 cycle 2	IP67 ** -40 / +85 -65 / +85 5 / 95 720h ** Compliant V0 1000
Others: Equipment interface Board socket Cable Packaging	- - - -	For use with OCTIS™ panel interface or receptacle *** For use with OCTI.460.500 For use with Ethernet cable: 4 twisted pairs with AWG24 solid wires. Insulation diameter of each wire must be ≤ 1mm. Unitary in plastic bag with assembly note

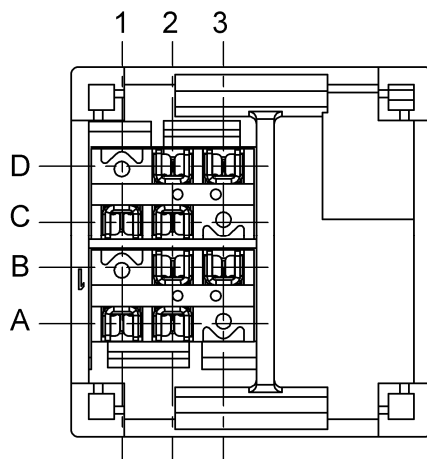
* Depending to cable characteristic

** Mated condition

*** If the interface is to be die casted into the equipment panel, please contact Radiall for license conditions and interface definition

PAGE 3/3	ISSUE 19-02-19A	SERIES OCTIS	PART NUMBER OCTI417500
----------	-----------------	--------------	------------------------

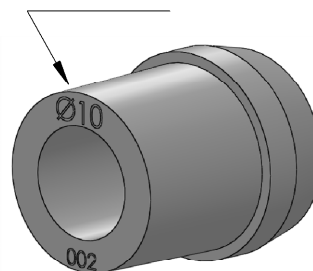
CONTACTS CONFIGURATION



RUBBER GLAND SELECTION CHART

ΦD^*	Recommended gland size
From 4.8 min to 5.8 Max	"6"
From 5.8 min to 6.8 Max	"7"
From 6.8 min to 7.8 Max	"8"
From 7.8 min to 8.8 Max	"9"
From 8.8 min to 9.8 Max	"10"
From 10.3 min to 11.3 Max	"11.5"

Gland size is written on the gland edge



*Cable diameter under the gland. If the cable has a sleeve, the diameter over the sleeve should be considered
The tolerances of ΦD should be taken into account to make sure it is always within the specified range

X-ON Electronics

Largest Supplier of Electrical and Electronic Components

Click to view similar products for [I/O Connectors](#) category:

Click to view products by [Radiall](#) manufacturer:

Other Similar products are found below :

[571763P](#) [58098-0628](#) [72.250.1628.2](#) [72.250.2428.2](#) [74720-0505](#) [76.350.0729.0](#) [76871-1403](#) [FCN-244F080-G/1](#) [FCN-260A9920](#) [MP-5T180MUNNA-005](#) [PCR-E36PM](#) [PCS-XE26MA+](#) [G38A71314B](#) [1571250010](#) [157-22500-3](#) [MS3471L14-19P L/C](#) [91-569786-35H](#) [172501-4002](#) [172501-6002](#) [FCN-260C008-A/L0](#) [FCN-260C024-AL0](#) [FCN-261Z008](#) [2000314-1](#) [200331-1](#) [PCR-E36FC+](#) [PCS-E28FS+](#) [PCS-XE26SLFD+](#) [PCS-XE26SLFDT+](#) [G730VID08BDC24](#) [U90B2054081210](#) [UE86K842720321](#) [38113800006](#) [DP3AR020WQ1R200](#) [Z4.102.0680.0](#) [500-1040](#) [500-1052](#) [500-1054](#) [ZP-4008-66L](#) [0709821002](#) [10-565995-597N](#) [DX40-20P\(55\)](#) [5554841-1](#) [MS3474W18-8P-LC*](#) [U90B3054061110](#) [U65-E04-4020](#) [ZPF000000000097891](#) [557-262M2-06C](#) [747360449](#) [10099439-003C-TRLF](#) [10137239-0021LF](#)