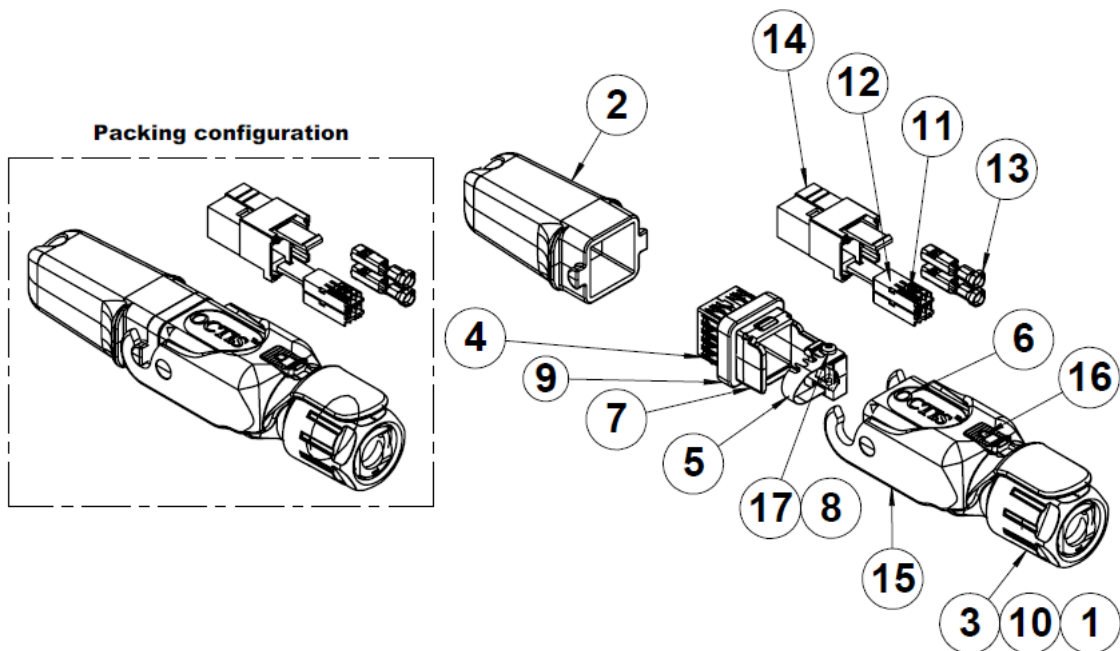
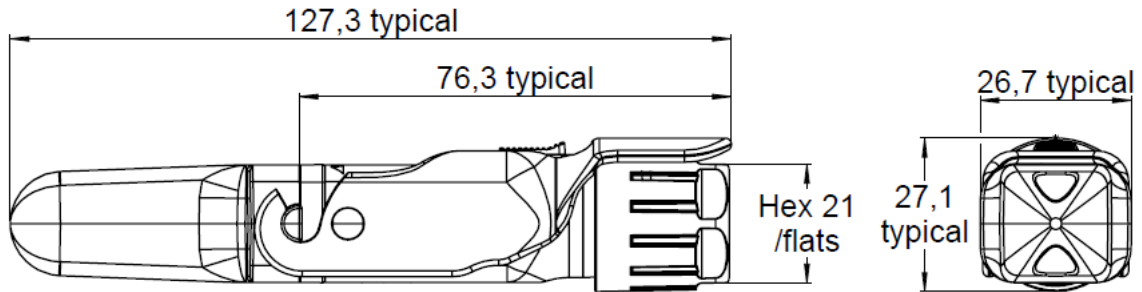


PAGE 1/3	ISSUE 19-02-19A	SERIES OCTIS	PART NUMBER OCTI517500
----------	-----------------	--------------	------------------------



All dimensions are in mm. Tolerances according ISO 2768 m-H

DESCRIPTION

REP	COMPONENT	MATERIALS	PLATING
1	Tightening cone	NYLON	-
2	Plug cap	PBT GF	-
3	Gland nut	PBT GF	PURPLE COLOR
4	Grounding ring	STAINLESS STEEL	-
5	Tightening strap	STAINLESS STEEL	-
6	Housing	PBT GF	-
7	Holder	ZAMAK	PASSIVATED
8	Nut	STEEL	-
9	Interface sealing gasket	SILICONE	-
10	Rubber gland Ø10	SILICONE	-
11	Signal contact	COPPER ALLOY	SN
12	Signal contacts housing	PLASTIC	-
13	Power contact	COPPER ALLOY	SN
14	Combo housing	PLASTIC	-
15	Lever	IXEF	-
16	Locking button	PBT GF	-
17	Pozidriv screw M2x12	STEEL	-

PAGE 2/3	ISSUE 19-02-19A	SERIES OCTIS	PART NUMBER OCTI517500
----------	------------------------	---------------------	-------------------------------

GENERAL CHARACTERISTICS

<p>Mechanical</p> <p>Mating endurance (cycles) Axial Tensile load (N typical) Vibration Recom. coupling torque (N.cm)</p> <p><u>Tightening strap:</u> Screw driver type : Recom. coupling torque (N.cm)</p> <p>Weight (g)</p>	<p>IEC 61300-2-2 IEC 61300-2-4 IEC 61300-2-1 - - - - EIA 364-20 EIA 364-21</p>	<p>100 200 * - 250 min. / 300 max. TBD 22 60.451</p>
<p>Electrical POWER contacts</p> <p>Working voltage Current rating</p> <p>Dielectric withstand voltage Insulation resistance</p>	<p>- - EIA 364-20 EIA 364-21</p>	<p>Max. 300 AC or DC 16A with AWG16 wire (7xAWG24) 20A with AWG14 wire (7xAWG22) 5000MΩ minimum initial 1000MΩ minimum after environmental aging</p>
<p>Electrical SIGNAL contacts</p> <p>Working voltage (V AC Max) Contact resistance (mΩ max) Current rating (A) Insulation resistance (MΩ min)</p> <p>Signal Integrity performance</p> <p>Cross talk</p> <p>Impedance of pairs IL RL</p>	<p>- - - - - - - - - - -</p>	<p>3000 55 1 (all contacts powered) 5000 Pair to pair @20MHz < -60dB All pairs to one victim @ 20MHz < -54dB (powersum) 100Ω +/- 10% @ 30 MHz < 0.1 dB @ 30MHz < -37 dB @ 20MHz</p>
<p>Environmental</p> <p>Protection class Operating temperature (°C) Storage temperature (°C) Humidity (damp heat) (%RH) Salt Mist</p> <p>RoHS Flammability UVB Resist (h)</p>	<p>IEC 60529 IEC 61300-2-22 IEC 61300-2-22 IEC 61300-2-19 IEC 61300-2-26 (ISO21207 methd B) - UL 94 ASTM G154 cycle 2</p>	<p>IP67 ** -40 / +85 -65 / +85 5 / 95 720h ** Compliant V0 1000</p>
<p>Others</p> <p>Equipment interface Board socket Cable Packaging</p>	<p>- - - -</p>	<p>For use with OCTIS™ panel interface or receptacle *** For use with OCTI.560.500 For use with hybrid cable composed of : - 2 stranded conductors from 1.5 mm² (AWG16 = 7xAWG24) to 2.5 mm² (AWG14 = 7xAWG22) - 4 twisted pairs with AWG24 solid wires. Insulation diameter of each wire must be ≤ 1mm. - Braiding. Unitary in plastic bag with assembly note</p>

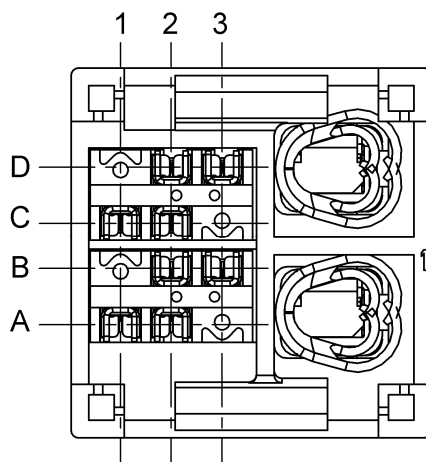
* Depending to cable characteristic

** Mated condition

*** If the interface is to be die casted into the equipment panel, please contact Radiall for license conditions and interface definition

PAGE 3/3	ISSUE 19-02-19A	SERIES OCTIS	PART NUMBER OCTI517500
----------	-----------------	--------------	------------------------

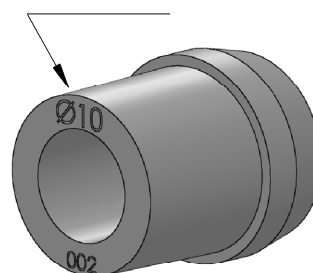
CONTACTS CONFIGURATION



RUBBER GLAND SELECTION CHART

ΦD^*	Recommended gland size
From 4.8 min to 5.8 Max	"6"
From 5.8 min to 6.8 Max	"7"
From 6.8 min to 7.8 Max	"8"
From 7.8 min to 8.8 Max	"9"
From 8.8 min to 9.8 Max	"10"
From 10.3 min to 11.3 Max	"11.5"

Gland size is written on the gland edge



*Cable diameter under the gland. If the cable has a sleeve, the diameter over the sleeve should be considered
The tolerances of ΦD should be taken into account to make sure it is always within the specified range

X-ON Electronics

Largest Supplier of Electrical and Electronic Components

Click to view similar products for [I/O Connectors](#) category:

Click to view products by [Radiall](#) manufacturer:

Other Similar products are found below :

[571763P](#) [72.250.1628.2](#) [72.250.2428.2](#) [74720-0505](#) [76.350.0729.0](#) [76871-1403](#) [FCN-244F080-G/1](#) [FCN-260A9920](#) [MP-5T180MUNNA-005](#)
[PCR-E36PM](#) [PCS-XE26MA+](#) [G38A71314B](#) [1571250010](#) [157-22500-3](#) [MS3471L14-19P L/C](#) [91-569786-35H](#) [172501-4002](#) [172501-6002](#)
[FCN-260C008-A/L0](#) [FCN-260C024-AL0](#) [FCN-261Z008](#) [2000314-1](#) [200331-1](#) [PCR-E36FC+](#) [PCS-E28FS+](#) [PCS-XE26SLFD+](#) [PCS-](#)
[XE26SLFDT+](#) [G730VID08BDC24](#) [U90B2054081210](#) [UE86K842720321](#) [38113800006](#) [DP3AR020WQ1R200](#) [Z4.102.0680.0](#) [500-1040](#)
[500-1052](#) [500-1054](#) [ZP-4008-66L](#) [0709821002](#) [10-565995-597N](#) [DX40-20P\(55\)](#) [5554841-1](#) [MS3474W18-8P-LC*](#) [U90B3054061110](#) [U65-](#)
[E04-4020](#) [ZPF000000000097891](#) [557-262M2-06C](#) [747360449](#) [10099439-003C-TRLF](#) [10137239-0021LF](#) [E9320-001-01](#)