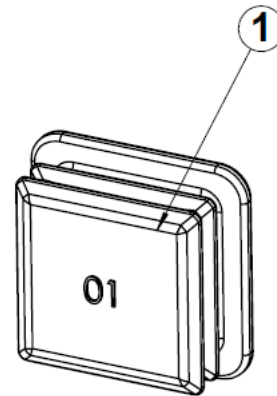
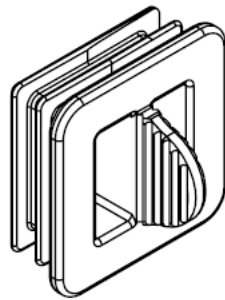
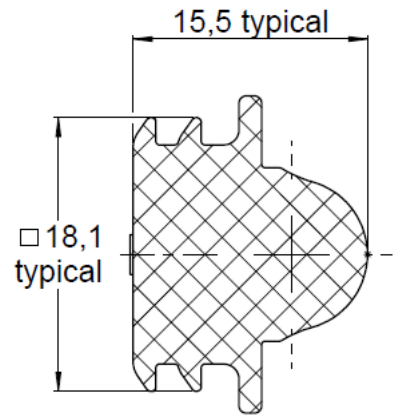
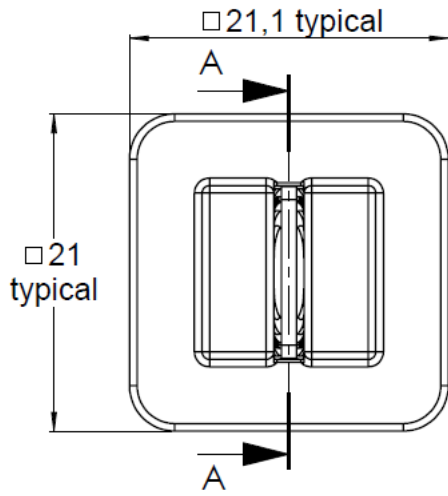


PAGE 1/3	ISSUE 14-02-19A	SERIES OCTIS	PART NUMBER OCTI955500
----------	-----------------	--------------	------------------------



All dimensions are in mm. Tolerances according ISO 2768 m-H

DESCRIPTION

REP	COMPONENT	MATERIALS	PLATING
1	DUST CAP	SILICONE	-

PAGE 2/3	ISSUE 14-02-19A	SERIES OCTIS	PART NUMBER OCTI955500
----------	-----------------	--------------	------------------------

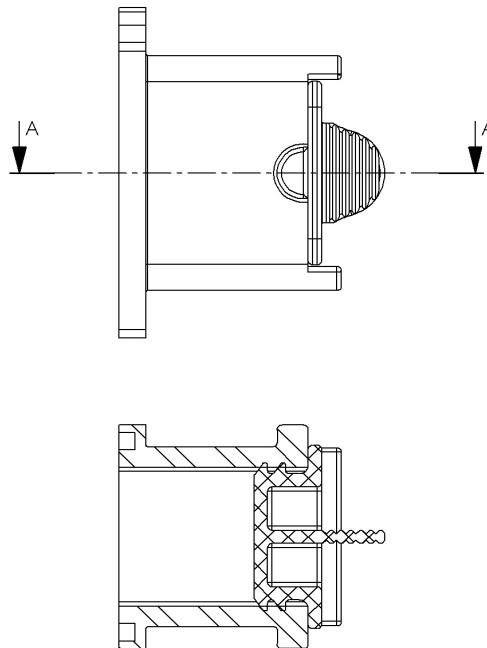
GENERAL CHARACTERISTICS

Mechanical Mating endurance (cycles) Axial Tensile load (N typical) Vibration Weight (g)	IEC 61300-2-2 IEC 61300-2-4 IEC 61300-2-1 -	10 Not Applicable - 2,0500
Environmental Protection class Operating temperature (°C) Storage temperature (°C) Salt Mist RoHS Flammability UVB Resist	IEC 60529 IEC 61300-2-22 IEC 61300-2-22 IEC 61300-2-19 IEC 61300-2-26 (ISO21207 method B) - UL 94 ASTM G154	IP64 * -40 / +85 -65 / +85 5 / 95 720h * Compliant V0 Compliant
Others Equipment interface Packaging	- -	For use with standard 26 OR 35 OCTIS panel interface or receptacle** In bulk in plastic bag

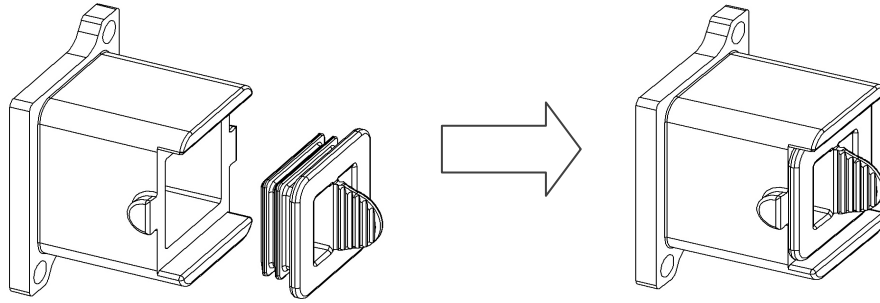
* Mated condition

** If the interface is to be die casted into the equipment panel, please contact Radiall for license conditions and interface definition

INSTALLATION (example for "26mm" receptacle)



PAGE 3/3	ISSUE 14-02-19A	SERIES OCTIS	PART NUMBER OCT1955500
----------	-----------------	--------------	------------------------



X-ON Electronics

Largest Supplier of Electrical and Electronic Components

Click to view similar products for [I/O Connectors](#) category:

Click to view products by [Radiall](#) manufacturer:

Other Similar products are found below :

[571763P](#) [72.250.1628.2](#) [72.250.2428.2](#) [74720-0505](#) [76.350.0729.0](#) [76871-1403](#) [FCN-244F080-G/1](#) [FCN-260A9920](#) [MP-5T180MUNNA-005](#)
[PCR-E36PM](#) [PCS-XE26MA+](#) [G38A71314B](#) [1571250010](#) [157-22500-3](#) [MS3471L14-19P L/C](#) [91-569786-35H](#) [172501-4002](#) [172501-6002](#)
[FCN-260C008-A/L0](#) [FCN-260C024-AL0](#) [FCN-261Z008](#) [2000314-1](#) [200331-1](#) [PCR-E36FC+](#) [PCS-E28FS+](#) [PCS-XE26SLFD+](#) [PCS-](#)
[XE26SLFDT+](#) [G730VID08BDC24](#) [U90B2054081210](#) [UE86K842720321](#) [38113800006](#) [DP3AR020WQ1R200](#) [Z4.102.0680.0](#) [500-1040](#)
[500-1052](#) [500-1054](#) [ZP-4008-66L](#) [0709821002](#) [10-565995-597N](#) [DX40-20P\(55\)](#) [5554841-1](#) [MS3474W18-8P-LC*](#) [U90B3054061110](#) [U65-](#)
[E04-4020](#) [ZPF000000000097891](#) [557-262M2-06C](#) [747360449](#) [10099439-003C-TRLF](#) [10137239-0021LF](#) [E9320-001-01](#)