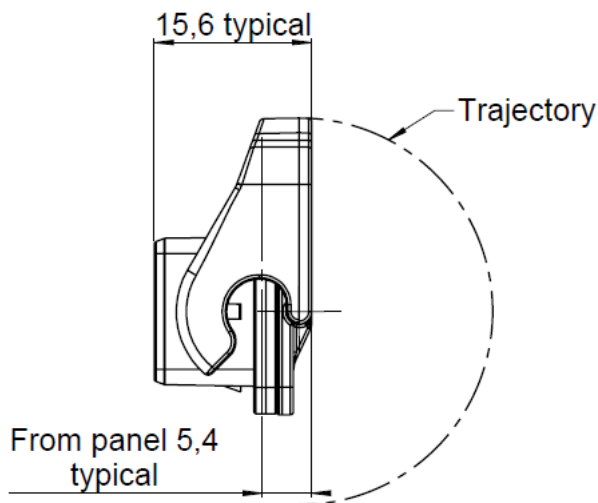
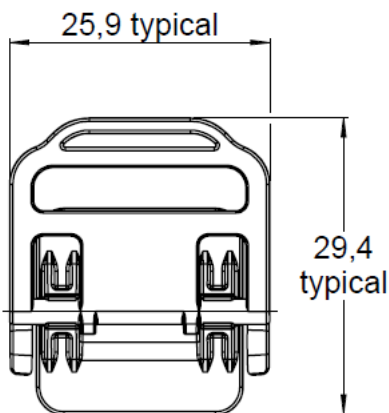
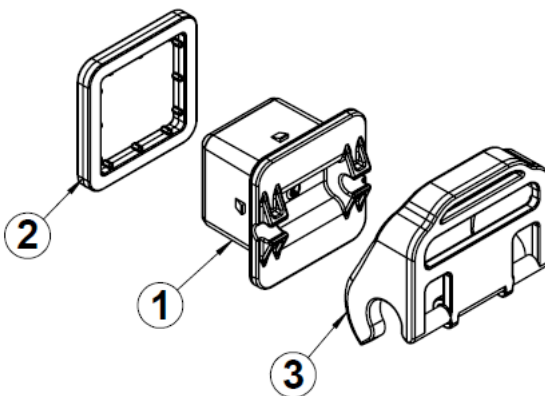


PAGE 1/2	ISSUE 14-02-19A	SERIES OCTIS	PART NUMBER OCTI957550
----------	-----------------	--------------	------------------------



Packing configuration



All dimensions are in mm. Tolerances according ISO 2768 m-H

DESCRIPTION

REP	COMPONENT	MATERIALS	PLATING
1	Protective cap	PBT GF	-
2	Interface sealing gasket	SILICONE	-
3	Lever	IXEF	-

PAGE 2/2	ISSUE 14-02-19A	SERIES OCTIS	PART NUMBER OCTI957550
----------	-----------------	--------------	------------------------

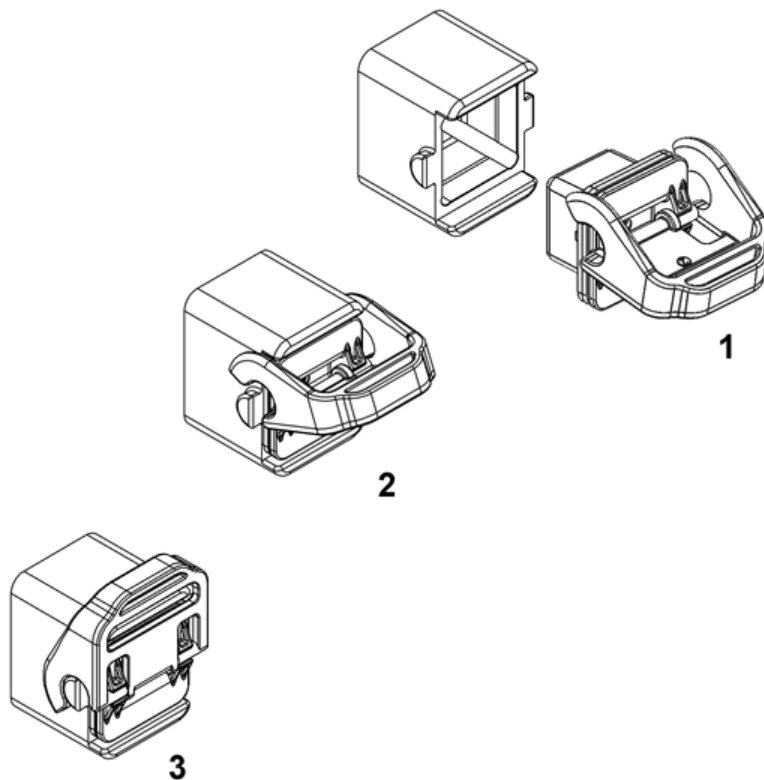
GENERAL CHARACTERISTICS

Mechanical Mating endurance (cycles) Vibration Weight (g)	IEC 61300-2-2 IEC 61300-2-1 -	100 - 5.1300
Environmental Protection class Operating temperature (°C) Storage temperature (°C) Humidity (damp heat) (%RH) Salt Mist RoHS Flammability	IEC 60529 IEC 61300-2-22 IEC 61300-2-22 IEC 61300-2-19 BS 720H according to Telcordia GR-950 - UL 94	IP67 * -40 / +85 -65 / +85 5 / 95 720h * Compliant V0
Others: Installation Packaging	- -	For use with standard OCTIS™ panel interface or receptacle ** Unitary in plastic bag

* Mated condition

** If the interface is to be die casted into the equipment panel, please contact Radiall for license conditions and interface definition

INSTALLATION



X-ON Electronics

Largest Supplier of Electrical and Electronic Components

Click to view similar products for [I/O Connectors](#) category:

Click to view products by [Radiall](#) manufacturer:

Other Similar products are found below :

[571763P](#) [72.250.1628.2](#) [72.250.2428.2](#) [74720-0505](#) [76.350.0729.0](#) [76871-1403](#) [FCN-244F080-G/1](#) [FCN-260A9920](#) [MP-5T180MUNNA-005](#)
[PCR-E36PM](#) [PCS-XE26MA+](#) [G38A71314B](#) [1571250010](#) [157-22500-3](#) [MS3471L14-19P L/C](#) [91-569786-35H](#) [172501-4002](#) [172501-6002](#)
[FCN-260C008-A/L0](#) [FCN-260C024-AL0](#) [FCN-261Z008](#) [2000314-1](#) [200331-1](#) [PCR-E36FC+](#) [PCS-E28FS+](#) [PCS-XE26SLFD+](#) [PCS-](#)
[XE26SLFDT+](#) [G730VID08BDC24](#) [HDMR-29-01-S-SM-TR](#) [U90B2054081210](#) [UE86K842720321](#) [38113800006](#) [DP3AR020WQ1R200](#)
[Z4.102.0680.0](#) [500-1040](#) [500-1052](#) [500-1054](#) [ZP-4008-66L](#) [0709821002](#) [10-565995-597N](#) [5554841-1](#) [U90B3054061110](#) [U65-E04-4020](#)
[ZPF00000000097891](#) [557-262M2-06C](#) [747360449](#) [10099439-003C-TRLF](#) [10137239-0021LF](#) [E9320-001-01](#) [10137239-0011LF](#)