

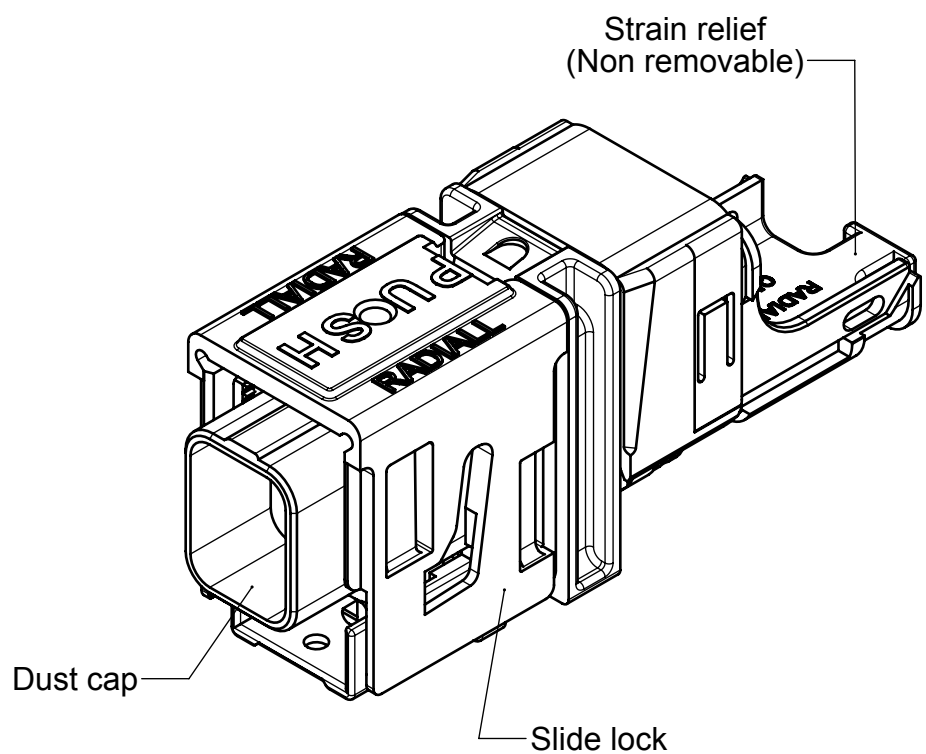
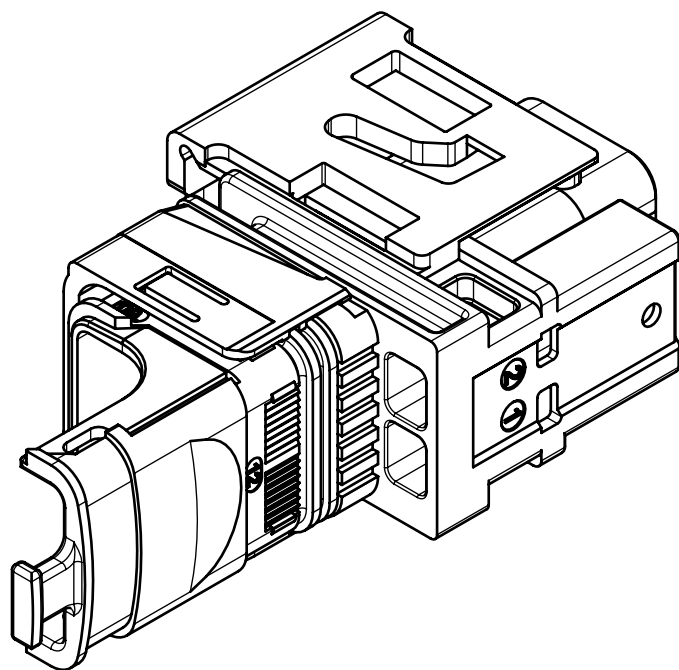
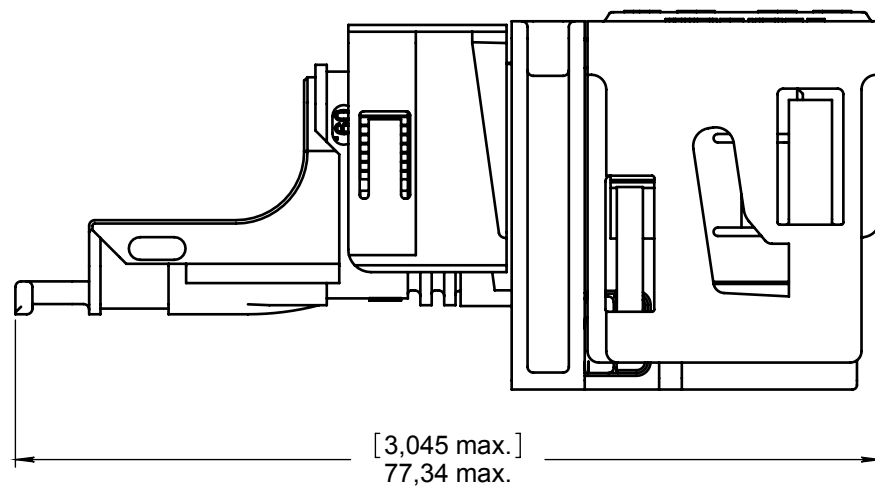
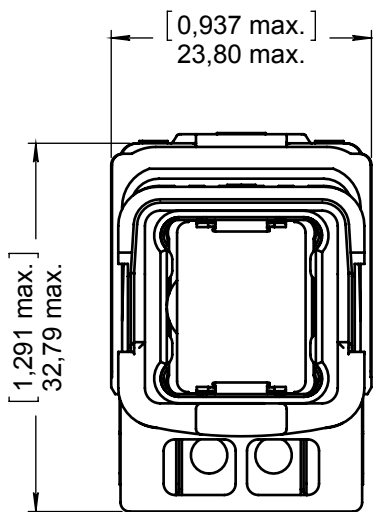
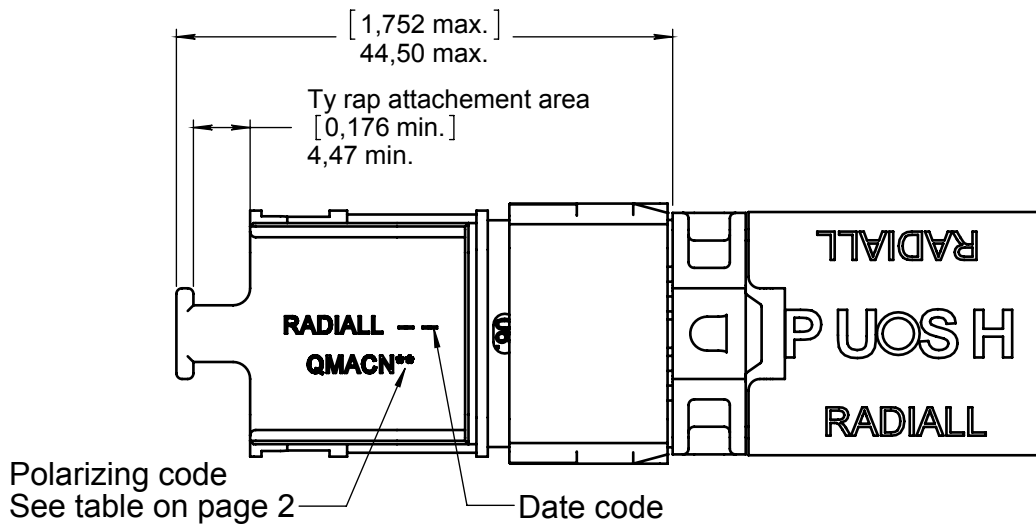
Series
QM

QMA PLUG CONNECTOR
WITH STRAIGHT STRAIN RELIEF

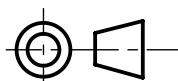
Issue:
Feb. 13, 2014

Page
1/2

This document contains proprietary information and such information shall not be disclosed to any third party for any purpose whatsoever or used for manufacturing purposes without prior written agreement from RADIALL. This information is given as an indication. In the continual goal to improve our products, we reserve the right to make any modifications judged necessary.



DIMENSIONS : mm (inch are given for information only)



Estimated weight : 24 g

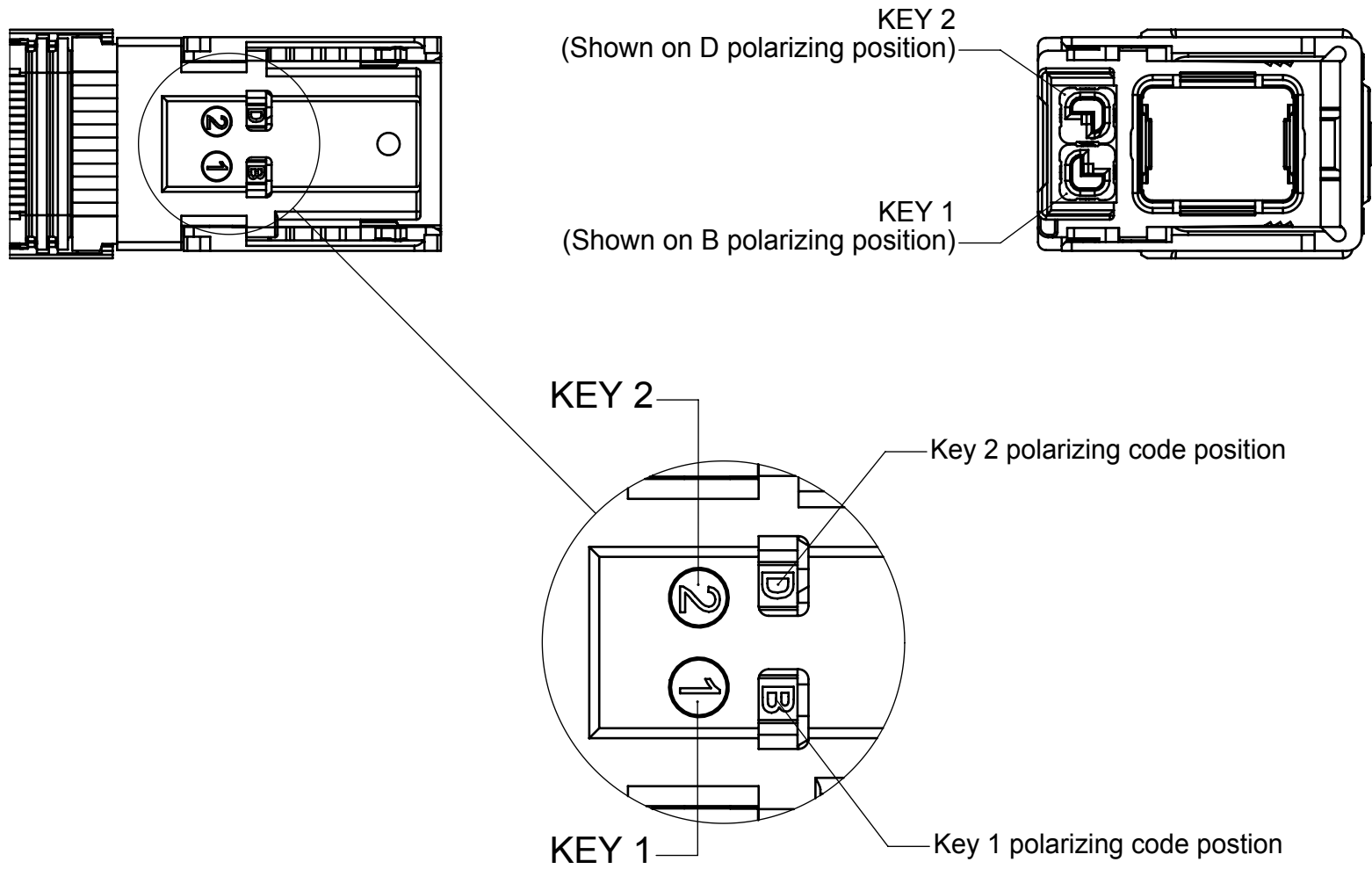
CREATION				
PEN: 2008-11-2158				
NOM: MOYON S.				
DATE: Jan 02, 2013	Feb. 13, 2014	Comment about BOEING patent added.	MONTIER A.	LEGLOAHEC Y.
APPR.: SOURDILLON G	Feb. 27, 2013	TDS updated adding polarizing table on page 2.	VIEIRA D.	LEGLOAHEC Y.
	Issue	Revisions	Name	Approved

Radiall S.A. is licensed by Boeing Intellectual Property Licensing Company, a subsidiary of The Boeing Company, to utilize certain Boeing patented technologies in this product

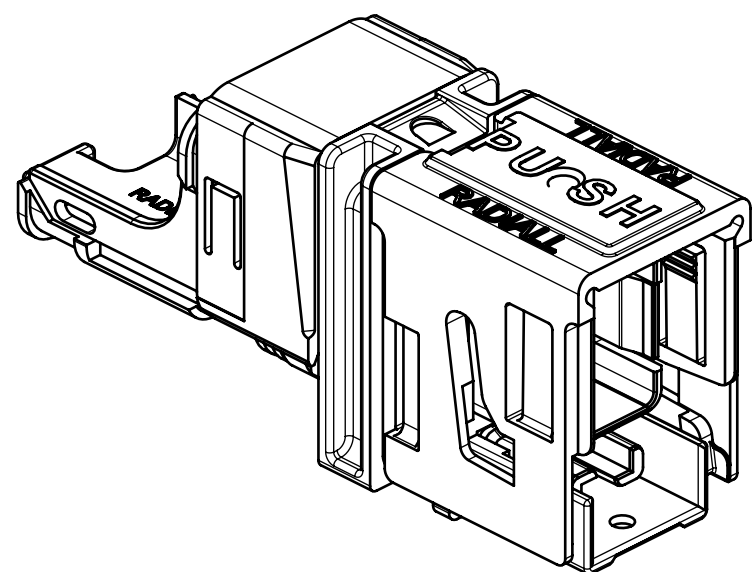
MATERIALS & FINISHES :

PLUG SHELL : Nickel plated high grade thermoplastic.
 STRAIN RELIEF : Nickel plated high grade thermoplastic.
 STRAIN RELIEF LATCH : High grade thermoplastic.
 SLIDE LOCK : High grade thermoplastic.
 INSERT RETENTION CLIP : Beryllium copper alloy.
 POLARIZATION KEYS : High grade thermoplastic.
 DUST CAP : Thermoplastic elastomer.

PLUG SHELL POLARIZATION :



RADIALL P/ N	KEY 1	KEY 2
QMACN	uninstalled	
QMACN 00	without keys	
QMACN AA	A	A
QMACN AB	A	B
QMACN AC	A	C
QMACN AD	A	D
QMACN BA	B	A
QMACN BB	B	B
QMACN BC	B	C
QMACN BD	B	D
QMACN CA	C	A
QMACN CB	C	B
QMACN CC	C	C
QMACN CD	C	D
QMACN DA	D	A
QMACN DB	D	B
QMACN DC	D	C



Each polarizing key has four polarizing positions (A,B,C and D). The polarizing code corresponds to the combination of 2 letters which can be read directly on lower side of the connector.

This document contains proprietary information and such information shall not be disclosed to any third party for any purpose whatsoever or used for manufacturing purposes without prior written agreement from RADIALL. This information is given as an indication, in the continual goal to improve our products, we reserve the right to make any modifications judged necessary.

4112_9311

X-ON Electronics

Largest Supplier of Electrical and Electronic Components

Click to view similar products for [Rectangular MIL Spec Connectors](#) category:

Click to view products by [Radiall](#) manufacturer:

Other Similar products are found below :

[891-011-15SA2-BSST](#) [CTS-S16/16](#) [65002-062](#) [CY4602-000](#) [732-8020-01](#) [77058-22-55PN](#) [81542-20](#) [86.030.0053.0](#) [1241346-1](#) [RM252-020-311-2900](#) [DMC-M 08-16 SA](#) [1589051-4](#) [MSO34MPK1E1](#) [BACC65CAMA](#) [BACC65CP1PN](#) [BACI10BC0816PNBA](#) [HSB-D4S03DM222X](#) [2217548-1](#) [891-006-9PS-BST1T](#) [891-009-15SA2-BRT1T](#) [27963-20T12](#) [SIM2N40NC3](#) [SIM2S100A](#) [1604996-2](#) [SMD25PN90L-4055](#) [1900ND08S1B00A](#) [22628-10-6P-791](#) [RE04-212S](#) [M32139/03-G05SN](#) [CTD160E01F-6148](#) [CTJ112E03B](#) [CTJ122E02D-8000](#) [CTJ-3D-12](#) [CTJ920E06N-513](#) [CTJ920E12N-513](#) [CTL-16-090](#) [RM300-000-581-0000](#) [CY4600-000](#) [CY4601-000](#) [38111-14-15SN](#) [38112-14-15PN](#) [MMA23-0111R1](#) [MMD25-0071P1](#) [33516062020](#) [33526M11-08PE](#) [DMC-M99-01AN](#) [Y59113WE20PNV00300](#) [ZPF000000000106310](#) [105979-31](#) [EN4165M01AD0G0](#)