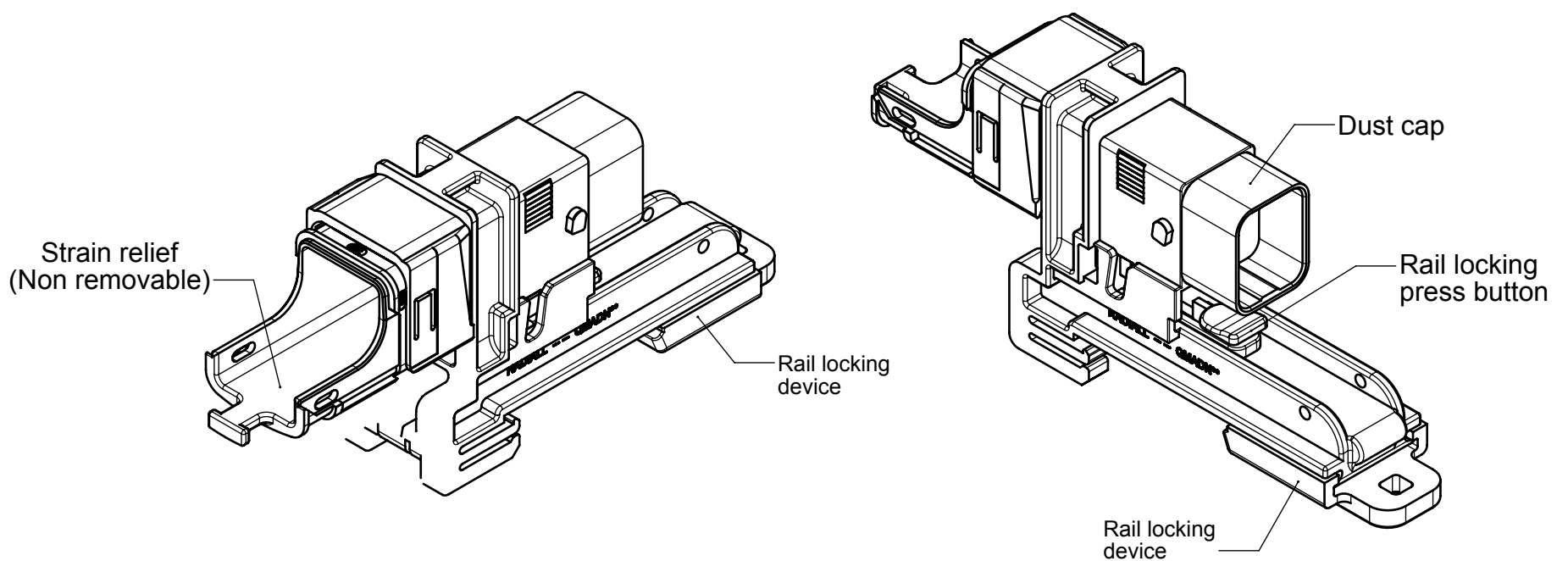
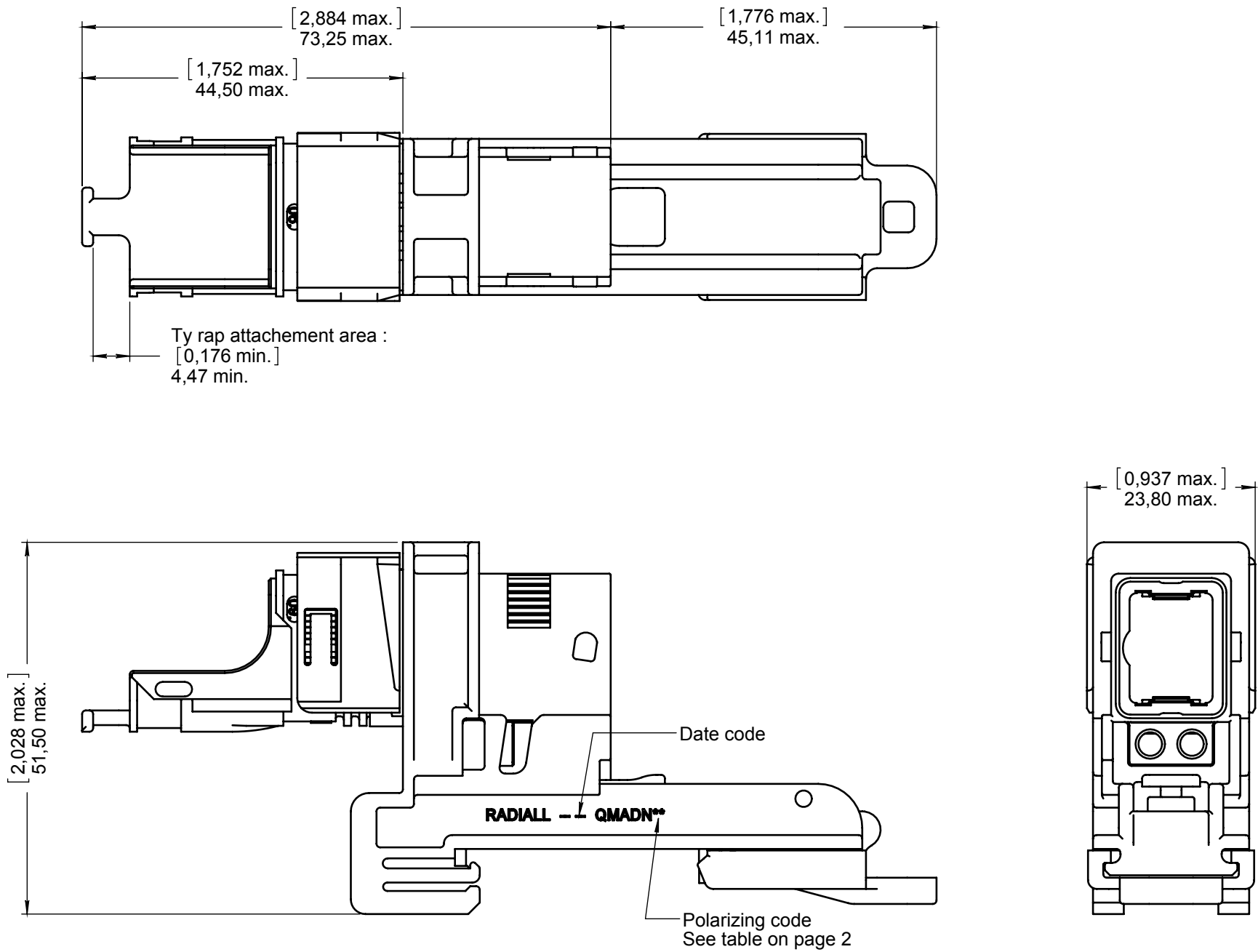


Series
QM

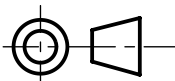
QMA RECEPTACLE CONNECTOR
WITH STRAIGHT STRAIN RELIEF

Issue:
Feb. 13, 2014

Page
1/2



DIMENSIONS : mm (inch are given for information only)



Estimated weight : 38,6 g

This document contains proprietary information and such information shall not be disclosed to any third party for any purpose whatsoever or used for manufacturing purposes without prior written agreement from RADIALL. This information is given as an indication. In the continual goal to improve our products, we reserve the right to make any modifications judged necessary.

4112_9311

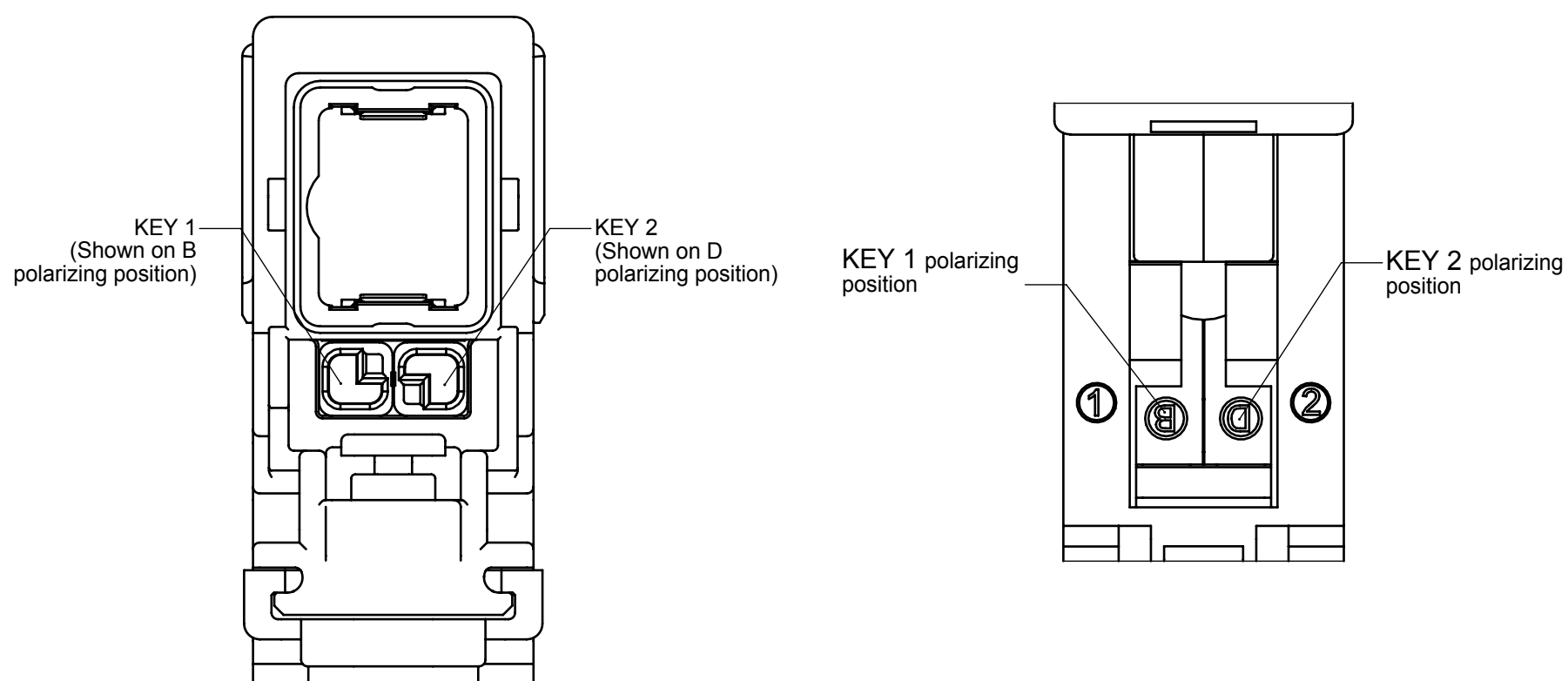
| CREATION | | | | |
|----------|--------------|---------------|--|-------------------------|
| PEN: | 2008-11-2158 | | | |
| NOM: | MOYON S. | | | |
| DATE: | Jan 11, 2013 | Feb. 13, 2014 | Comment about BOEING patent added. | MONTIER A. LEGLOAHEC Y. |
| APPR.: | SOURDILLON G | Feb. 27, 2013 | TDS updated adding polarizing table on page 2. | VIEIRA D. LEGLOAHEC Y. |
| | | Issue | Revisions | Name Approved |

Radiall S.A. is licensed by Boeing Intellectual Property Licensing Company, a subsidiary of The Boeing Company, to utilize certain Boeing patented technologies in this product

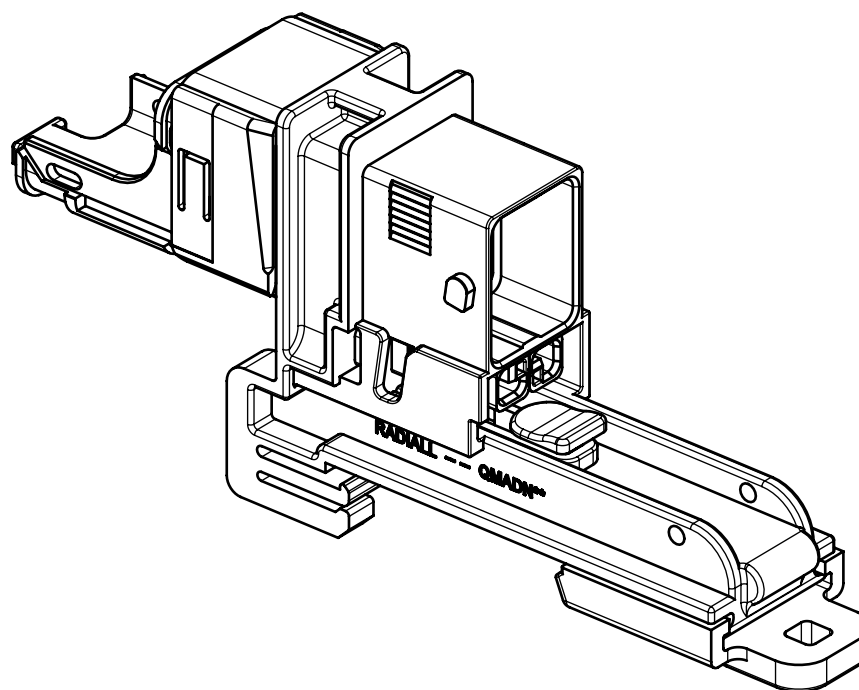
MATERIALS & FINISHES :

PLUG SHELL : Nickel plated high grade thermoplastic.
 STRAIN RELIEF : Nickel plated high grade thermoplastic.
 STRAIN RELIEF LATCH : High grade thermoplastic.
 RAIL LOCKING DEVICE : High grade thermoplastic.
 SPRING : Stainless steel.
 INSERT RETENTION CLIP : Beryllium copper alloy.
 POLARIZATION KEYS : High grade thermoplastic.
 DUST CAP : Thermoplastic elastomer.

RECEPTACLE SHELL POLARIZATION :



| RADIALL P/ N | KEY 1 | KEY 2 |
|--------------|--------------|-------|
| QMADN | uninstalled | |
| QMADN 00 | without keys | |
| QMADN AA | A | A |
| QMADN AB | A | B |
| QMADN AC | A | C |
| QMADN AD | A | D |
| QMADN BA | B | A |
| QMADN BB | B | B |
| QMADN BC | B | C |
| QMADN BD | B | D |
| QMADN CA | C | A |
| QMADN CB | C | B |
| QMADN CC | C | C |
| QMADN CD | C | D |
| QMADN DA | D | A |
| QMADN DB | D | B |
| QMADN DC | D | C |
| QMADN DD | D | D |



Each polarizing key has four polarizing positions (A,B,C and D). The polarizing code corresponds to the combination of 2 letters which can be read directly on lower side of the connector.

This document contains proprietary information and such information shall not be disclosed to any third party for any purpose whatsoever or used for manufacturing purposes without prior written agreement from RADIALL. This information is given as an indication, in the continual goal to improve our products, we reserve the right to make any modifications judged necessary.

4112_9311

X-ON Electronics

Largest Supplier of Electrical and Electronic Components

Click to view similar products for [Rectangular MIL Spec Connectors](#) category:

Click to view products by [Radiall](#) manufacturer:

Other Similar products are found below :

[891-011-15SA2-BSST](#) [CTS-S16/16](#) [65002-062](#) [CY4602-000](#) [732-8020-01](#) [77058-22-55PN](#) [81542-20](#) [86.030.0053.0](#) [1241346-1](#) [RM252-020-311-2900](#) [DMC-M 08-16 SA](#) [1589051-4](#) [MSO34MPK1E1](#) [BACC65CAMA](#) [BACC65CP1PN](#) [BACI10BC0816PNBA](#) [HSB-D4S03DM222X](#) [2217548-1](#) [891-006-9PS-BST1T](#) [891-009-15SA2-BRT1T](#) [27963-20T12](#) [SIM2N40NC3](#) [SIM2S100A](#) [1604996-2](#) [SMD25PN90L-4055](#) [1900ND08S1B00A](#) [22628-10-6P-791](#) [RE04-212S](#) [M32139/03-G05SN](#) [CTD160E01F-6148](#) [CTJ112E03B](#) [CTJ122E02D-8000](#) [CTJ-3D-12](#) [CTJ920E06N-513](#) [CTJ920E12N-513](#) [CTL-16-090](#) [RM300-000-581-0000](#) [CY4600-000](#) [CY4601-000](#) [38111-14-15SN](#) [38112-14-15PN](#) [MMA23-0111R1](#) [MMD25-0071P1](#) [33516062020](#) [33526M11-08PE](#) [DMC-M99-01AN](#) [Y59113WE20PNV00300](#) [ZPF000000000106310](#) [105979-31](#) [EN4165M01AD0G0](#)