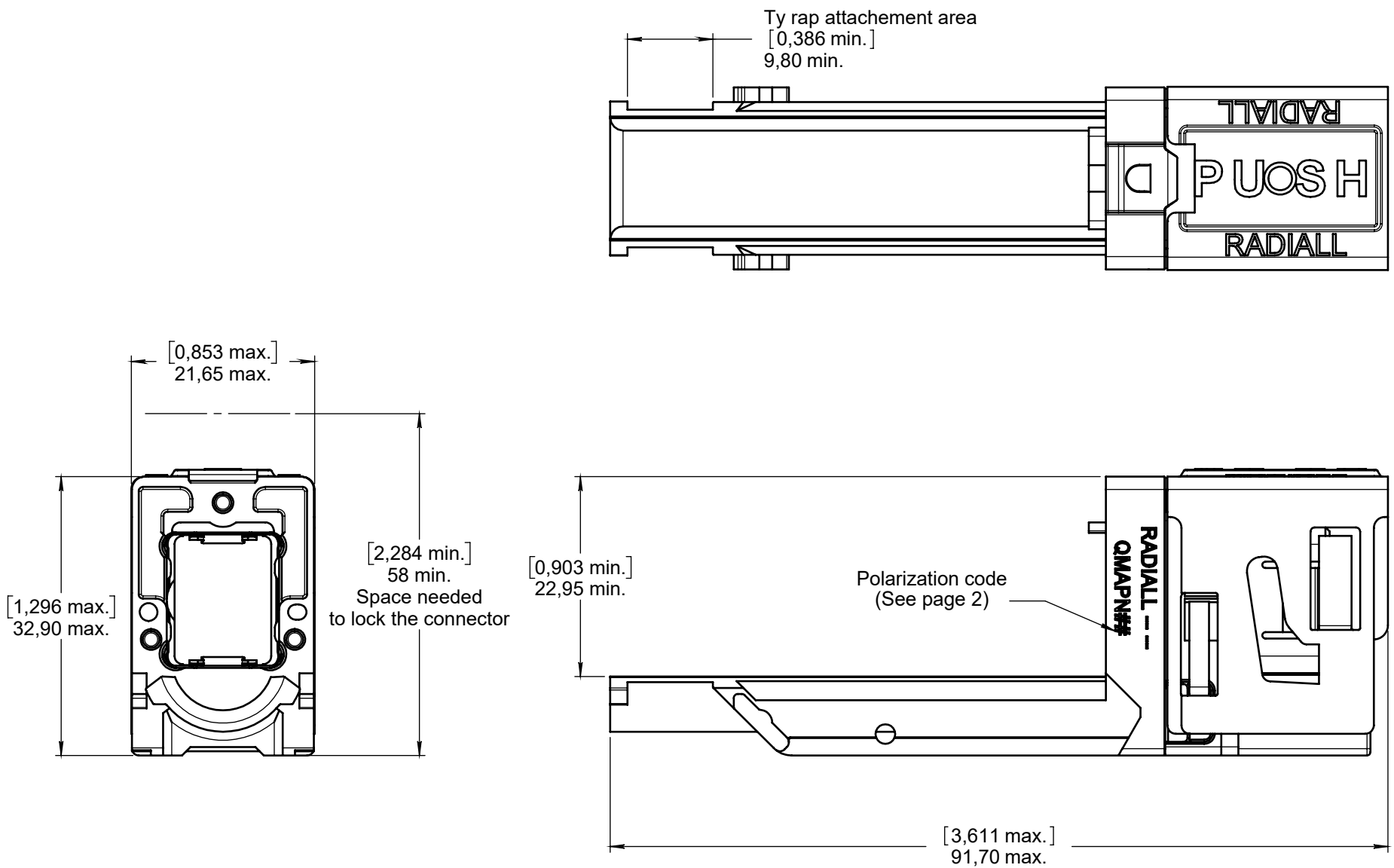


Series
QMA
QMA plug connector
integrated strain relief
Issue:
Apr. 10, 2018
Page
1/2

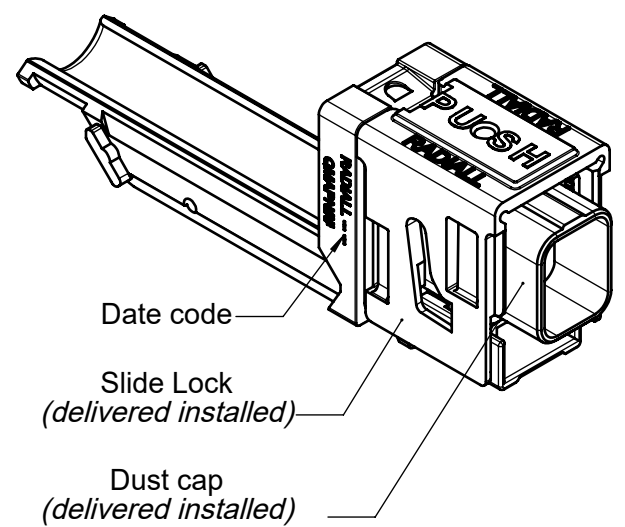
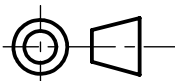
This document contains proprietary information and such information shall not be disclosed to any third party for any purpose whatsoever or used for manufacturing purposes without prior written agreement from RADIALL. This information is given as an indication. In the continual goal to improve our products, we reserve the right to make any modifications judged necessary.


MATERIALS AND FINISHES :

- PLUG SHELL : High grade thermoplastic, nickel plated,
- SLIDE LOCK : High grade thermoplastic,
- INSERT RETENTION CLIP : Beryllium copper alloy,
- CODING KEYS : High grade thermoplastic,
- DUST CAP : Thermoplastic.

NOTA :

- Please refer to MIIN1700000 for unlocking instructions


DIMENSIONS : mm (inch are given for information only)


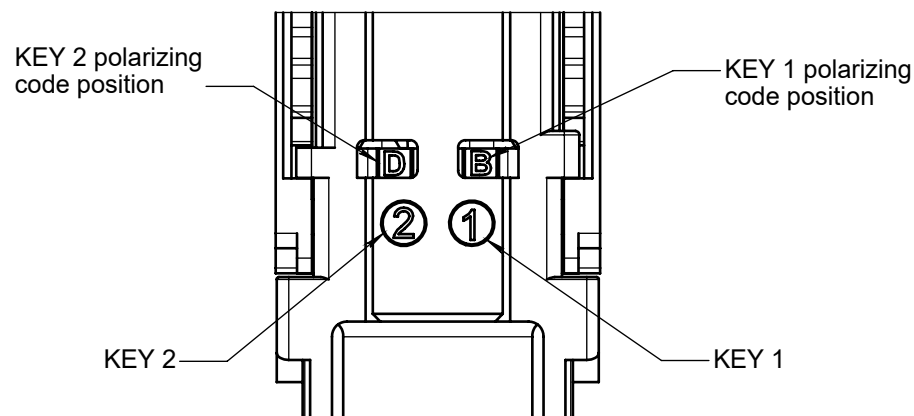
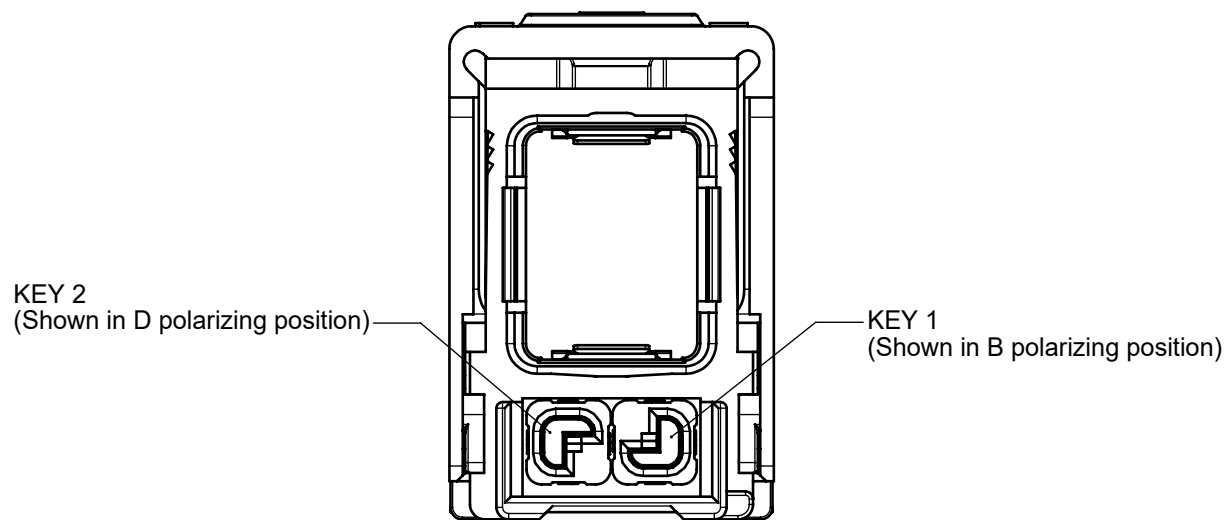
Estimated weight : 24 g

CREATION				
PEN:				
NOM: BELEY T.				
DATE: Jul. 16, 2015	Apr. 10, 2018	Updated title and mounting instruction number	Legendre T.	Lopez C.
APPR.: VIEIRA D.	Mar. 20, 2018	Erased "Preliminary" on TDS. Updated Plug Shell protection. Added key DD on table. Updated dimensions and views for uniformity.	LOPEZ C.	PAILOT N.
	Issue	Revisions	Name	Approved

Radiall S.A. is licensed by Boeing Intellectual Property Licensing Company, a subsidiary of The Boeing Company, to utilize certain Boeing patented technologies in this product

RADIALL P/ N	KEY 1	KEY 2
QMAPN	uninstalled	
QMAPN 00	without keys	
QMAPN AA	A	A
QMAPN AB	A	B
QMAPN AC	A	C
QMAPN AD	A	D
QMAPN BA	B	A
QMAPN BB	B	B
QMAPN BC	B	C
QMAPN BD	B	D
QMAPN CA	C	A
QMAPN CB	C	B
QMAPN CC	C	C
QMAPN CD	C	D
QMAPN DA	D	A
QMAPN DB	D	B
QMAPN DC	D	C
QMAPN DD	D	D

PLUG SHELL POLARIZATION :



EXAMPLE : QMAPN BD shown.

Each polarizing key has four polarizing positions (A,B,C and D). The polarizing code corresponds to the combination of 2 letters which can be read directly on lower side of the connector.

This document contains proprietary information and such information shall not be disclosed to any third party for any purpose whatsoever or used for manufacturing purposes without prior written agreement from RADIALL. This information is given as an indication. In the continual goal to improve our products, we reserve the right to make any modifications judged necessary.

4112_9311

X-ON Electronics

Largest Supplier of Electrical and Electronic Components

Click to view similar products for [Rectangular MIL Spec Connectors](#) category:

Click to view products by [Radiall](#) manufacturer:

Other Similar products are found below :

[891-011-15SA2-BSST](#) [CTS-S16/16](#) [65002-062](#) [CY4602-000](#) [732-8020-01](#) [77058-22-55PN](#) [81542-20](#) [86.030.0053.0](#) [1241346-1](#) [RM252-020-311-2900](#) [DMC-M 08-16 SA](#) [1589051-4](#) [MSO34MPK1E1](#) [BACC65CAMA](#) [BACC65CP1PN](#) [BACI10BC0816PNBA](#) [HSB-D4S03DM222X](#) [2217548-1](#) [891-006-9PS-BST1T](#) [891-009-15SA2-BRT1T](#) [27963-20T12](#) [SIM2N40NC3](#) [SIM2S100A](#) [1604996-2](#) [SMD25PN90L-4055](#) [1900ND08S1B00A](#) [22628-10-6P-791](#) [RE04-212S](#) [M32139/03-G05SN](#) [CTD160E01F-6148](#) [CTJ112E03B](#) [CTJ122E02D-8000](#) [CTJ-3D-12](#) [CTJ920E06N-513](#) [CTJ920E12N-513](#) [CTL-16-090](#) [CY4600-000](#) [CY4601-000](#) [38111-14-15SN](#) [38112-14-15PN](#) [MMA23-0111R1](#) [MMD25-0071P1](#) [33516062020](#) [33526M11-08PE](#) [DMC-M99-01AN](#) [Y59113WE20PNV00300](#) [ZPF000000000106310](#) [105979-31](#) [EN4165M01AD0G0](#) [EN4165M01AN0G0](#)