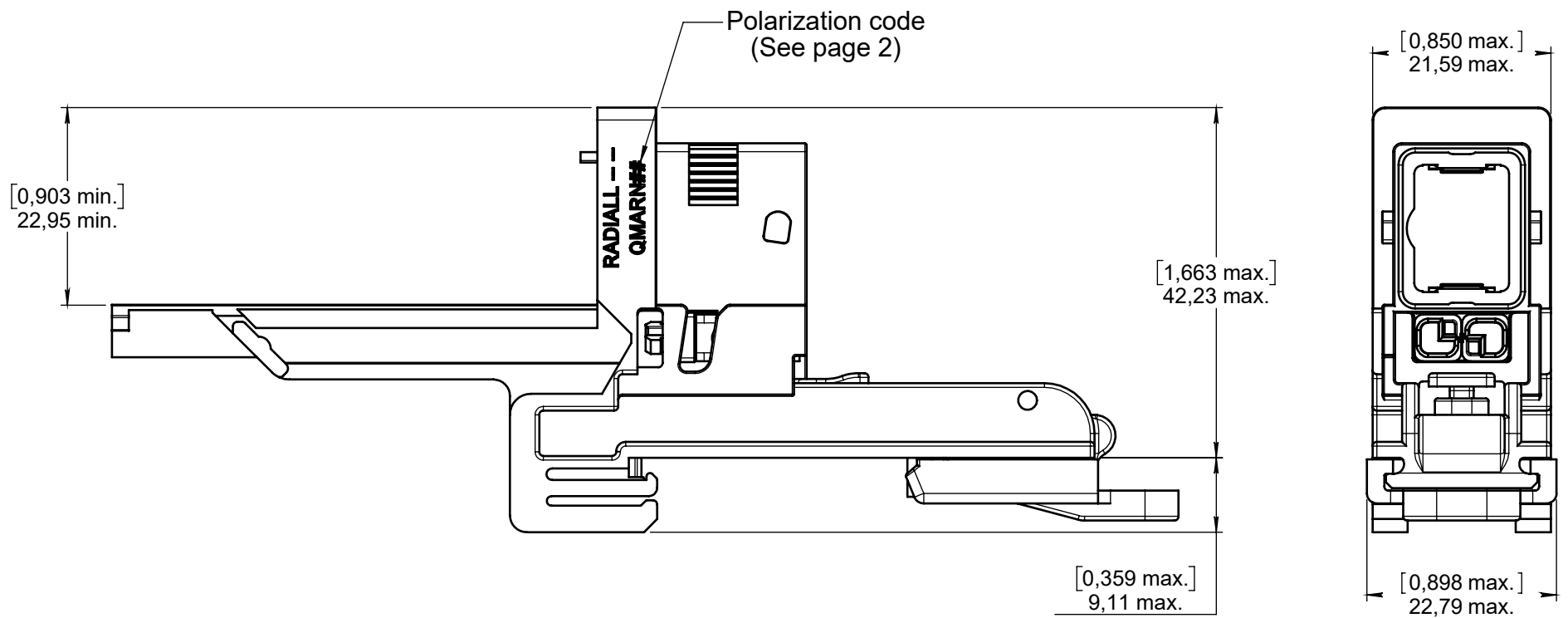
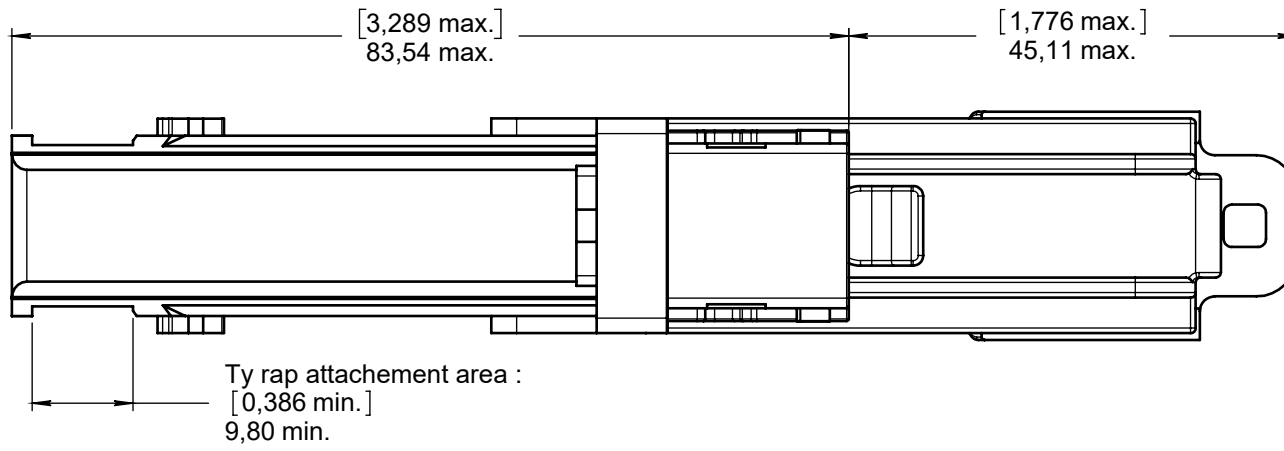
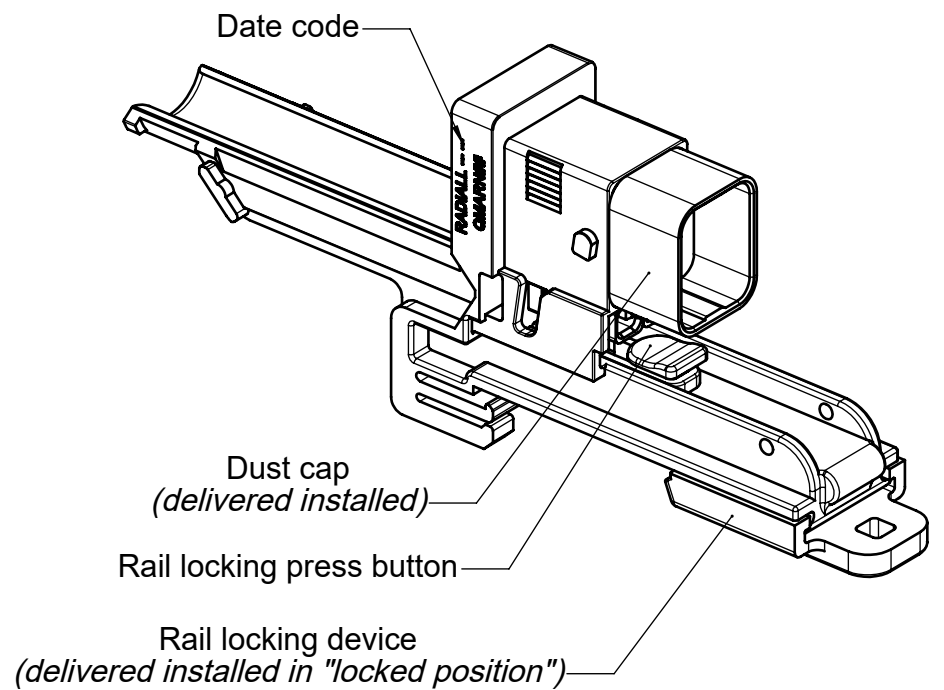
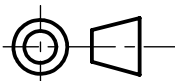


Series
QMA
QMA receptacle connector
integrated strain relief
for rail mounting
Issue:
Apr. 10, 2018
Page
1/2

MATERIALS & FINISHES :

- PLUG SHELL : High grade thermoplastic, nickel plated,
- RAIL LOCKING DEVICE : High grade thermoplastic,
- SPRING : Stainless steel,
- INSERT RETENTION CLIP : Beryllium copper alloy,
- POLARIZATION KEYS : High grade thermoplastic,
- DUST CAP : Thermoplastic.

NOTA :

- Please refer to MIIN1700000 for unlocking instructions.


DIMENSIONS : mm (inch are given for information only)


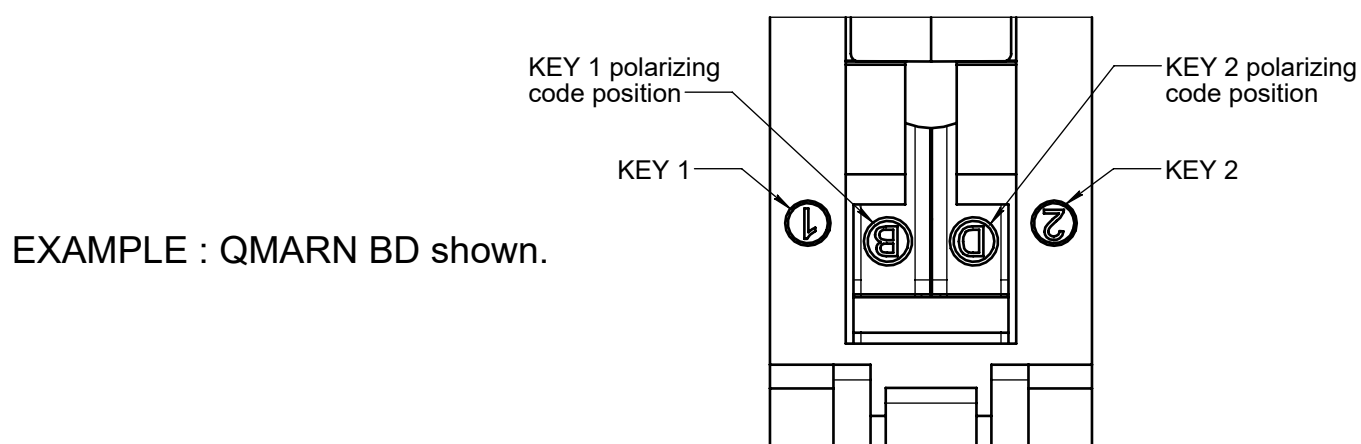
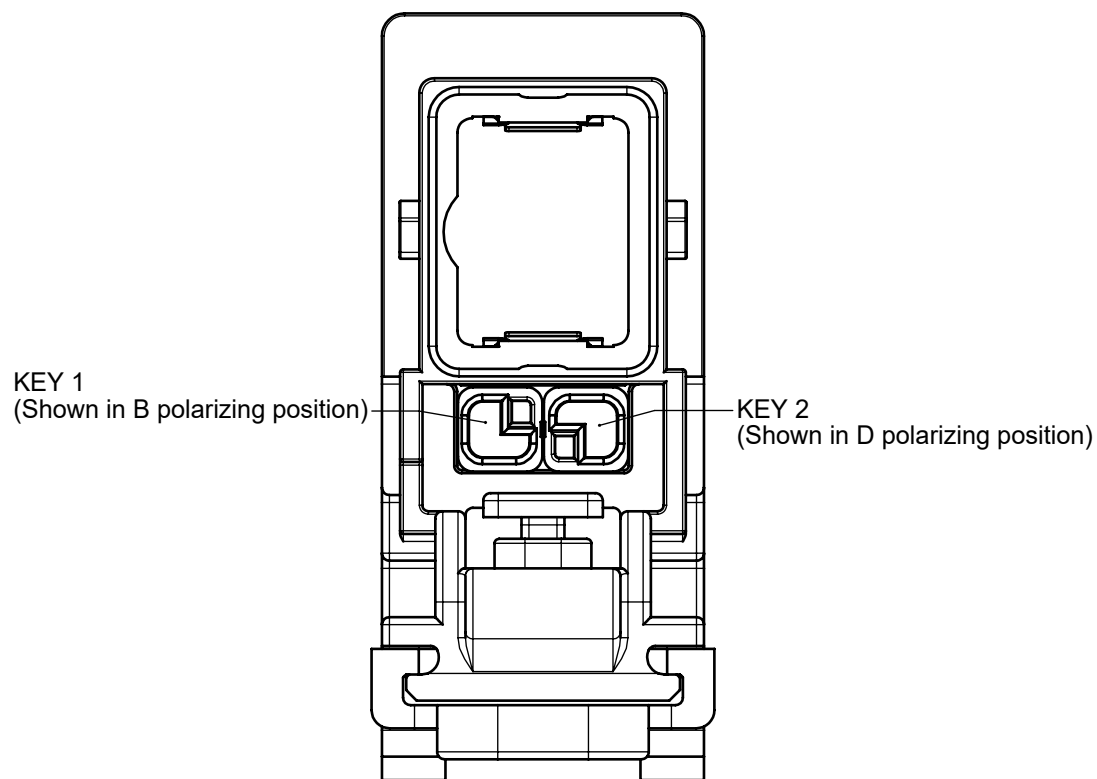
Estimated weight : 39 g

CREATION PEN: NOM: BELEY T. DATE: Jul. 16, 2015 APPR.: VIEIRA D.				
	Apr. 10, 2018	Updated title and mounting instruction number	Legendre T.	Lopez C.
	Mar. 20, 2018	Erased "Preliminary" on TDS. Added overall height dimension. Updated dimensions and view for uniformity.	LOPEZ C.	PAILOT N.
	Issue	Revisions	Name	Approved

Radiall S.A. is licensed by Boeing Intellectual Property Licensing Company, a subsidiary of The Boeing Company, to utilize certain Boeing patented technologies in this product

RADIALL P/ N	KEY 1	KEY 2
QMARN	uninstalled	
QMARN 00	without keys	
QMARN AA	A	A
QMARN AB	A	B
QMARN AC	A	C
QMARN AD	A	D
QMARN BA	B	A
QMARN BB	B	B
QMARN BC	B	C
QMARN BD	B	D
QMARN CA	C	A
QMARN CB	C	B
QMARN CC	C	C
QMARN CD	C	D
QMARN DA	D	A
QMARN DB	D	B
QMARN DC	D	C
QMARN DD	D	D

PLUG SHELL POLARIZATION :



Each polarizing key has four polarizing positions (A,B,C and D). The polarizing code corresponds to the combination of 2 letters which can be read directly on lower side of the connector.

This document contains proprietary information and such information shall not be disclosed to any third party for any purpose whatsoever or used for manufacturing purposes without prior written agreement from RADIALL. This information is given as an indication. In the continual goal to improve our products, we reserve the right to make any modifications judged necessary.

4112_9311

X-ON Electronics

Largest Supplier of Electrical and Electronic Components

Click to view similar products for [Rectangular MIL Spec Connectors](#) category:

Click to view products by [Radiall](#) manufacturer:

Other Similar products are found below :

[891-011-15SA2-BSST](#) [CTS-S16/16](#) [65002-062](#) [CY4602-000](#) [732-8020-01](#) [77058-22-55PN](#) [81542-20](#) [86.030.0053.0](#) [1241346-1](#) [RM252-020-311-2900](#) [DMC-M 08-16 SA](#) [1589051-4](#) [MSO34MPK1E1](#) [BACC65CAMA](#) [BACC65CP1PN](#) [BACI10BC0816PNBA](#) [HSB-D4S03DM222X](#) [2217548-1](#) [891-006-9PS-BST1T](#) [891-009-15SA2-BRT1T](#) [27963-20T12](#) [SIM2N40NC3](#) [SIM2S100A](#) [1604996-2](#) [SMD25PN90L-4055](#) [1900ND08S1B00A](#) [22628-10-6P-791](#) [RE04-212S](#) [M32139/03-G05SN](#) [CTD160E01F-6148](#) [CTJ112E03B](#) [CTJ122E02D-8000](#) [CTJ-3D-12](#) [CTJ920E06N-513](#) [CTJ920E12N-513](#) [CTL-16-090](#) [RM300-000-581-0000](#) [CY4600-000](#) [CY4601-000](#) [38111-14-15SN](#) [38112-14-15PN](#) [MMA23-0111R1](#) [MMD25-0071P1](#) [33516062020](#) [33526M11-08PE](#) [DMC-M99-01AN](#) [Y59113WE20PNV00300](#) [ZPF000000000106310](#) [105979-31](#) [EN4165M01AD0G0](#)