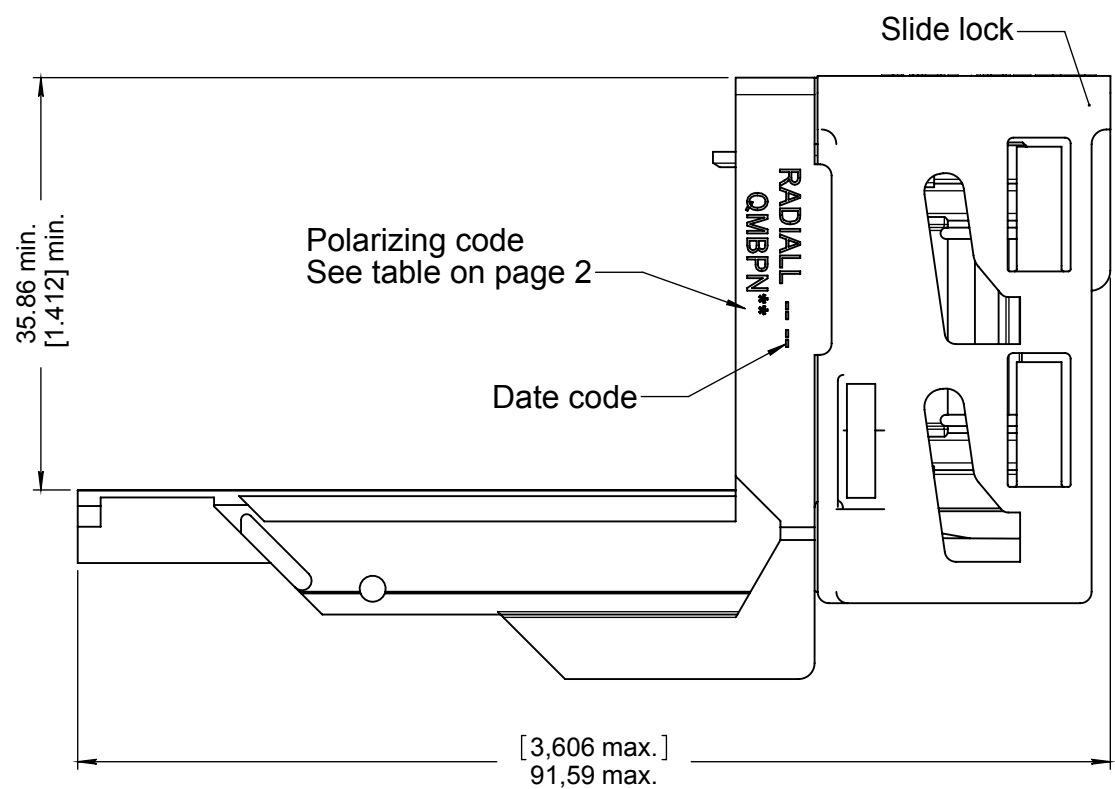
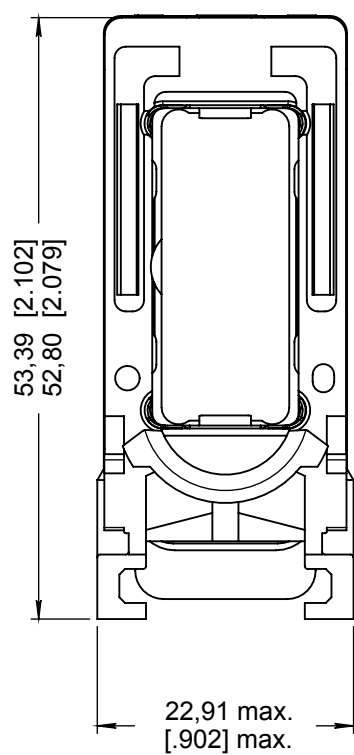
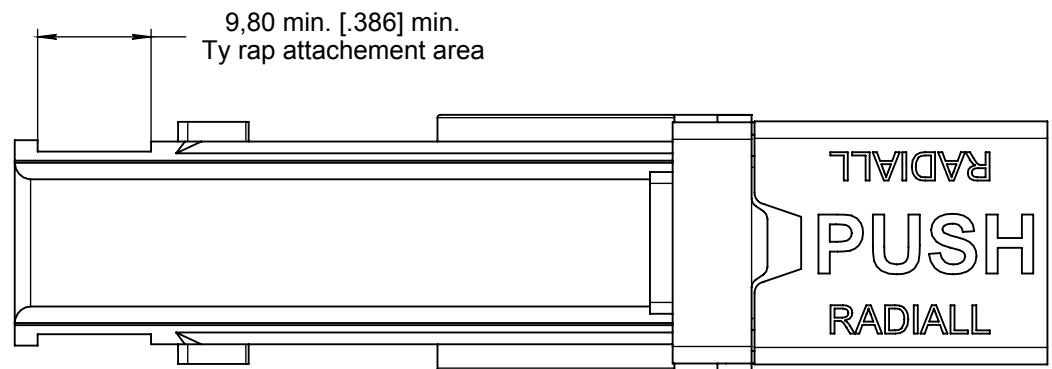


Series
QM

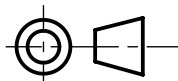
QMB PLUG CONNECTOR

 Issue:
Feb. 14, 2014

 Page
1/2

MATERIALS & FINISHES :

PLUG SHELL : High grade thermoplastic ; Nickel plated.
SLID LOCK : High grade thermoplastic.
INSERT RETENTION CLIP : Beryllium copper alloy.
POLARIZATION KEYS : High grade thermoplastic.

DIMENSIONS : mm (inch are given for information only)

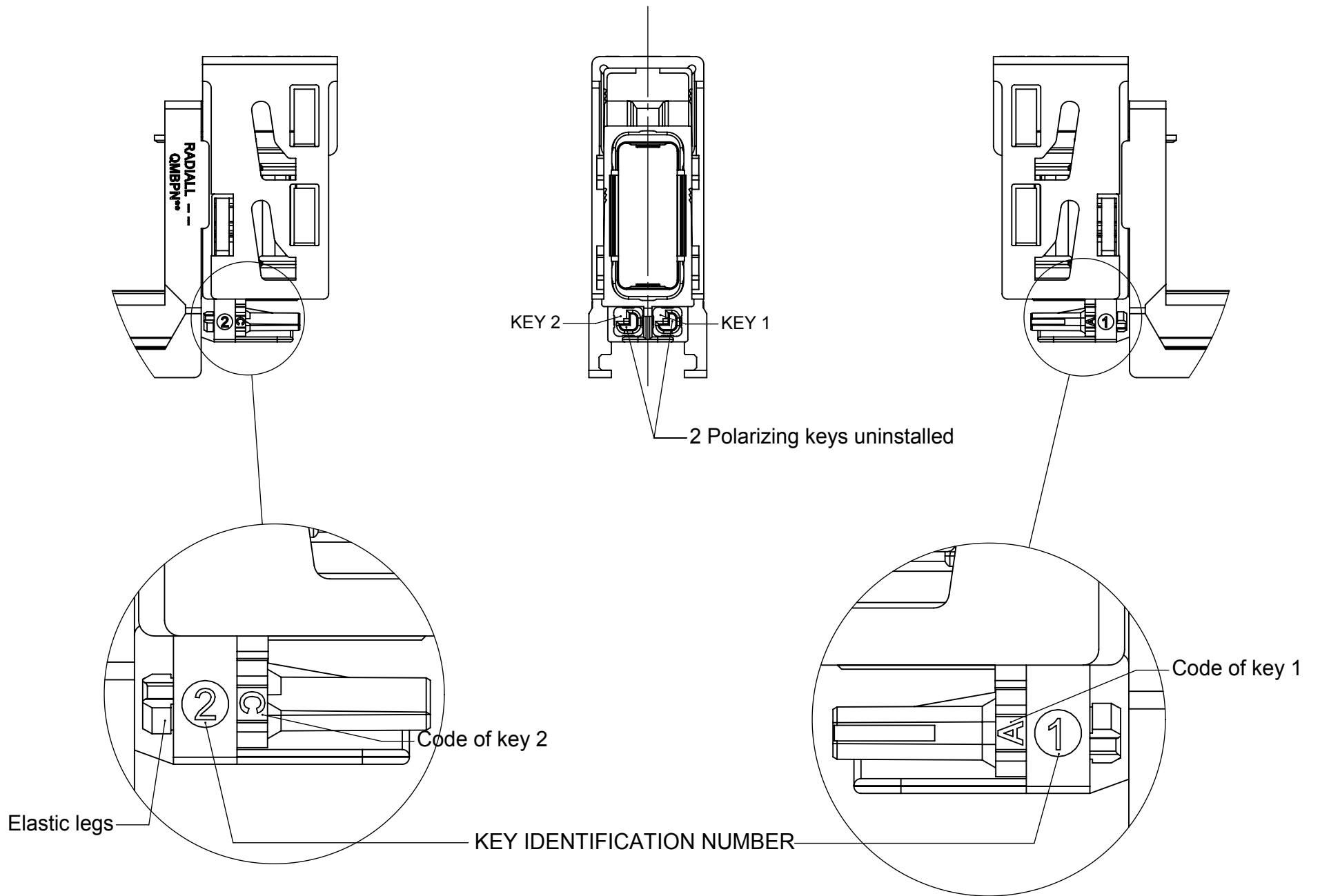


Estimated weight : 31 g

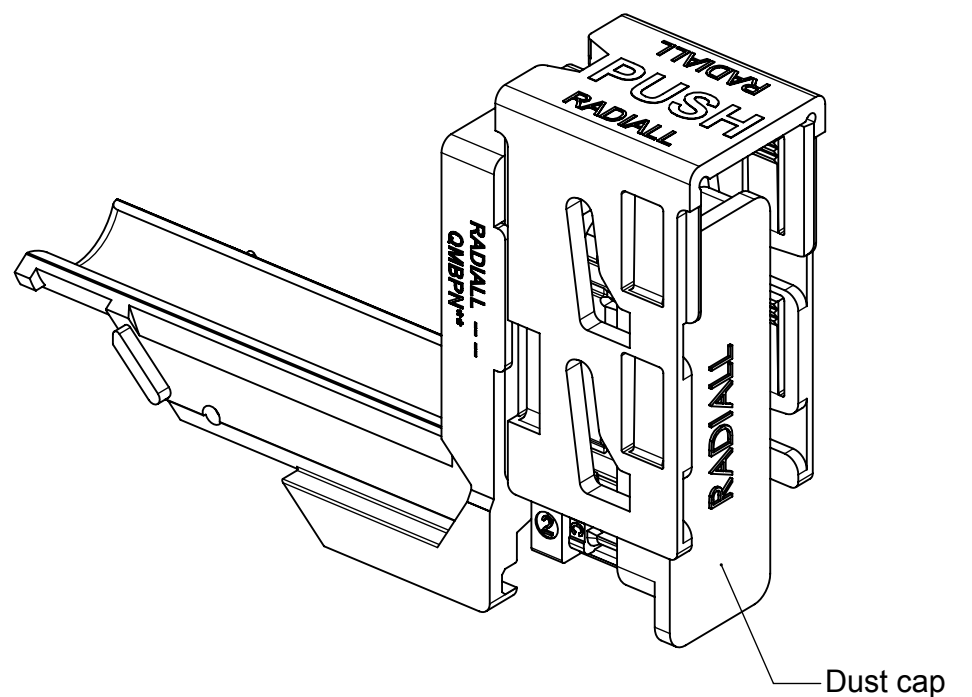
CREATION				
PEN: 2008-12-2320				
NOM: MOYON S.	Feb. 14, 2014	Comment about BOEING patent added .	MONTIER A.	VIEIRA D.
DATE: May 26, 2009	Oct 02, 09	Designation modification	Moyon	Wadoux
APPR.: WADOUX P.	June 16, 09	QMIBPN become QMBPN	Moyon	Wadoux
	Issue	Revisions	Name	Approved

Radiall S.A. is licensed by Boeing Intellectual Property Licensing Company, a subsidiary of The Boeing Company, to utilize certain Boeing patented technologies in this product

PLUG SHELL POLARIZATION



PART NUMBER	KEY 1	KEY 2
QMBPN	keys uninstalled	
QMBPN00	without keys	
QMBPNAA	A	A
QMBPNAB	A	B
QMBPNAC	A	C
QMBPNAD	A	D
QMBPNBA	B	A
QMBPNBB	B	B
QMBPNBC	B	C
QMBPNBD	B	D
QMBPNCA	C	A
QMBPNCB	C	B
QMBPNCC	C	C
QMBPNCD	C	D
QMBPNDA	D	A
QMBPNDB	D	B
QMBPNDC	D	C
QMBPNDD	D	D



Each polarizing key has four polarizing positions (A,B,C and D). The polarizing code corresponds to the combination of 2 letters which can be read directly on both side of the connector.

This document contains proprietary information and such information shall not be disclosed to any third party for any purpose whatsoever or used for manufacturing purposes without prior written agreement from RADIALL. This information is given as an indication, in the continual goal to improve our products, we reserve the right to make any modifications judged necessary.

4112_9311

X-ON Electronics

Largest Supplier of Electrical and Electronic Components

Click to view similar products for [Rectangular MIL Spec Connectors](#) category:

Click to view products by [Radiall](#) manufacturer:

Other Similar products are found below :

[891-011-15SA2-BSST](#) [CTS-S16/16](#) [65002-062](#) [CY4602-000](#) [732-8020-01](#) [77058-22-55PN](#) [81542-20](#) [86.030.0053.0](#) [1241346-1](#) [RM252-020-311-2900](#) [DMC-M 08-16 SA](#) [1589051-4](#) [MSO34MPK1E1](#) [BACC65CAMA](#) [BACC65CP1PN](#) [BACI10BC0816PNBA](#) [HSB-D4S03DM222X](#) [2217548-1](#) [891-006-9PS-BST1T](#) [891-009-15SA2-BRT1T](#) [27963-20T12](#) [SIM2N40NC3](#) [SIM2S100A](#) [1604996-2](#) [SMD25PN90L-4055](#) [1900ND08S1B00A](#) [22628-10-6P-791](#) [RE04-212S](#) [M32139/03-G05SN](#) [CTD160E01F-6148](#) [CTJ112E03B](#) [CTJ122E02D-8000](#) [CTJ-3D-12](#) [CTJ920E06N-513](#) [CTJ920E12N-513](#) [CTL-16-090](#) [RM300-000-581-0000](#) [CY4600-000](#) [CY4601-000](#) [38111-14-15SN](#) [38112-14-15PN](#) [MMA23-0111R1](#) [MMD25-0071P1](#) [33516062020](#) [33526M11-08PE](#) [DMC-M99-01AN](#) [Y59113WE20PNV00300](#) [ZPF000000000106310](#) [105979-31](#) [EN4165M01AD0G0](#)