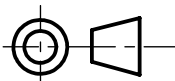

**MATERIALS & FINISHES:**

- RECEPTACLE SHELL : High grade thermoplastic ; Nickel plated.
- RAIL LOCKING DEVICE : High grade thermoplastic.
- SPRING : Stainless steel.
- INSERT RETENTION DEVICE : Beryllium copper alloy.
- POLARIZATION KEYS : High grade thermoplastic.
- DUST CAP : Thermoplastic.

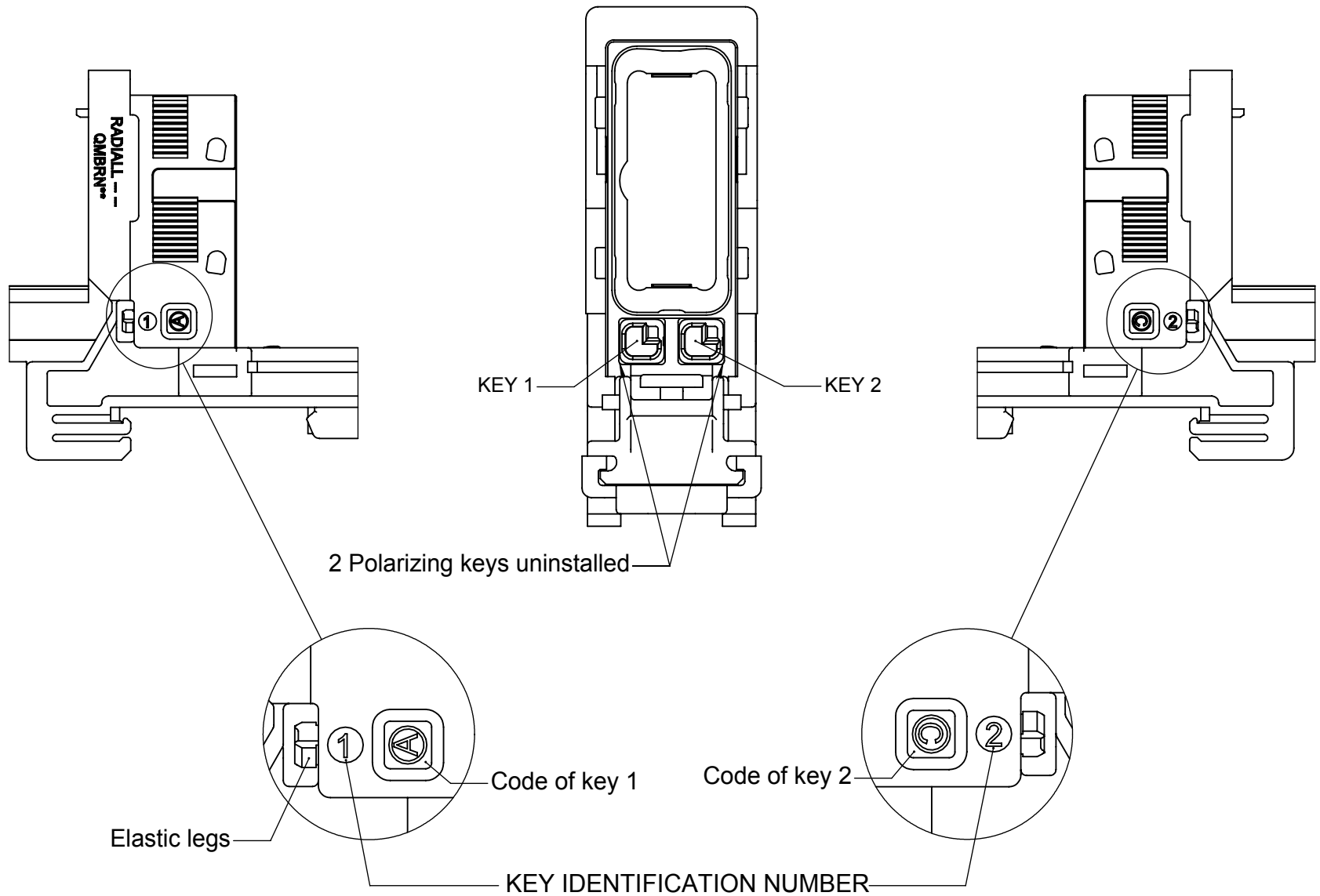
**DIMENSIONS : mm (inch are given for information only)**


Estimated weight : 42 g

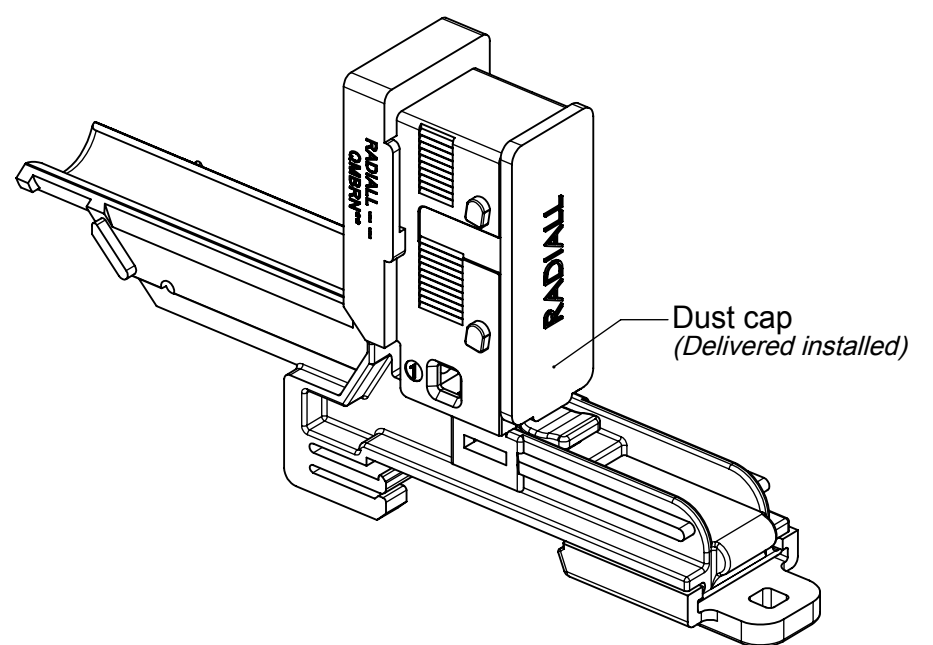
CREATION				
PEN: 2008-12-2320  NOM: MOYON S. DATE: May 26, 2009 APPR.: WADOUX P.	Nov. 07, 2018	Dim. and design updated	Weihls H.	Lopez C.
	Feb. 14, 2014	Comment about BOEING patent added.	Montier A.	Vieira D.
	Apr 24, 12	Standards updated	Moyon	Raoui
	Oct 02, 09	Designation modification	Moyon	Wadoux
	June 16, 09	QMIBRN become QMBRN	Moyon	Wadoux
	Issue	Revisions	Name	Approved

Radiall S.A. is licensed by Boeing Intellectual Property Licensing Company, a subsidiary of The Boeing Company, to utilize certain Boeing patented technologies in this product

RECEPTACLE SHELL POLARIZATION



PART NUMBER	KEY 1	KEY 2
QMBRN	keys uninstalled	
QMBRN00	without keys	
QMBRNAA	A	A
QMBRNAB	A	B
QMBRNAC	A	C
QMBRNAD	A	D
QMBRNBA	B	A
QMBRNBB	B	B
QMBRNBC	B	C
QMBRNBD	B	D
QMBRNCA	C	A
QMBRNCB	C	B
QMBRNCC	C	C
QMBRNCD	C	D
QMBRNDA	D	A
QMBRNDB	D	B
QMBRNDC	D	C
QMBRNDD	D	D



Each polarizing key has four polarizing positions (A,B,C and D). The polarizing code corresponds to the combination of 2 letters which can be read directly on both side of the connector.

This document contains proprietary information and such information shall not be disclosed to any third party for any purpose whatsoever or used for manufacturing purposes without prior written agreement from RADIAL. This information is given as an indication. In the continual goal to improve our products, we reserve the right to make any modifications judged necessary.

4112\_9311

## X-ON Electronics

Largest Supplier of Electrical and Electronic Components

*Click to view similar products for [Rectangular MIL Spec Connectors](#) category:*

*Click to view products by [Radiall](#) manufacturer:*

Other Similar products are found below :

[891-011-15SA2-BSST](#) [CTS-S16/16](#) [65002-062](#) [CY4602-000](#) [732-8020-01](#) [77058-22-55PN](#) [81542-20](#) [86.030.0053.0](#) [1241346-1](#) [RM252-020-311-2900](#) [DMC-M 08-16 SA](#) [1589051-4](#) [MSO34MPK1E1](#) [BACC65CAMA](#) [BACC65CP1PN](#) [BACI10BC0816PNBA](#) [HSB-D4S03DM222X](#) [2217548-1](#) [891-006-9PS-BST1T](#) [891-009-15SA2-BRT1T](#) [27963-20T12](#) [SIM2N40NC3](#) [SIM2S100A](#) [1604996-2](#) [SMD25PN90L-4055](#) [1900ND08S1B00A](#) [22628-10-6P-791](#) [RE04-212S](#) [M32139/03-G05SN](#) [CTD160E01F-6148](#) [CTJ112E03B](#) [CTJ122E02D-8000](#) [CTJ-3D-12](#) [CTJ920E06N-513](#) [CTJ920E12N-513](#) [CTL-16-090](#) [RM300-000-581-0000](#) [CY4600-000](#) [CY4601-000](#) [38111-14-15SN](#) [38112-14-15PN](#) [MMA23-0111R1](#) [MMD25-0071P1](#) [33516062020](#) [33526M11-08PE](#) [DMC-M99-01AN](#) [Y59113WE20PNV00300](#) [ZPF000000000106310](#) [105979-31](#) [EN4165M01AD0G0](#)