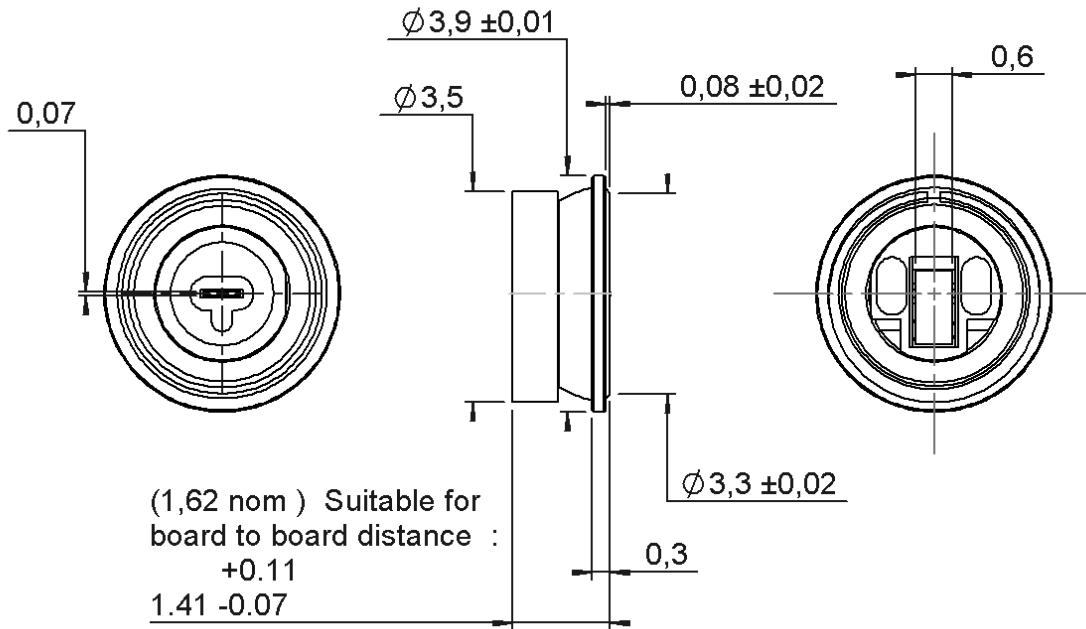
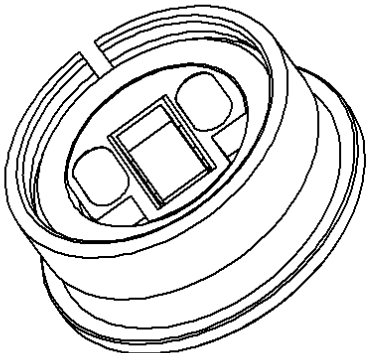


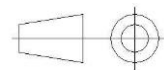
PAGE 1/3	ISSUE 12-11-18A	SERIES IMP	PART NUMBER R107802000
----------	-----------------	------------	------------------------



 -  
scale 1/1



All dimensions are in mm. Tolerances according ISO 2768 m-H



COMPONENTS	MATERIALS	PLATING (µm)
Body	<b>BRONZE</b>	<b>NPGR</b>
Center contact	<b>BERYLLIUM COPPER</b>	<b>GOLD 1.3 OVER NICKEL2</b>
Outer contact		
Insulator	<b>PEEK</b>	
Gasket		
Others parts	<b>BERYLLIUM COPPER</b>	<b>NPGR</b>
-	-	-
-	-	-

PAGE 2/3	ISSUE 12-11-18A	SERIES IMP	PART NUMBER R107802000
----------	-----------------	------------	------------------------

**PACKAGING**

Standard	Unit	Other
100	Contact us	Contact us

**ELECTRICAL CHARACTERISTICS**

Impedance		<b>50</b>	Ω
Frequency		<b>0-18</b>	GHz
VSWR	* +	<b>0,0000</b>	x F(GHz) Maxi
Insertion loss		<b>**</b>	√F(GHz) dB Maxi
RF leakage	- (	<b>NA</b>	- F(GHz)) dB Maxi
Voltage rating		<b>225</b>	Veff Maxi
Dielectric withstanding voltage		<b>500</b>	Veff mini
Insulation resistance		<b>1000</b>	MΩ mini

**ENVIRONMENTAL**

Operating temperature	<b>-55/+125</b>	°C
Hermetic seal	<b>NA</b>	Atm.cm3/s
Panel leakage	<b>NA</b>	

**MECHANICAL CHARACTERISTICS**

Center contact retention			
Axial force – Mating End		<b>0.5</b>	N mini
Axial force – Opposite end		<b>0.5</b>	N mini
Torque			N.cm mini

**SPECIFICATION**

**OTHER CHARACTERISTICS**

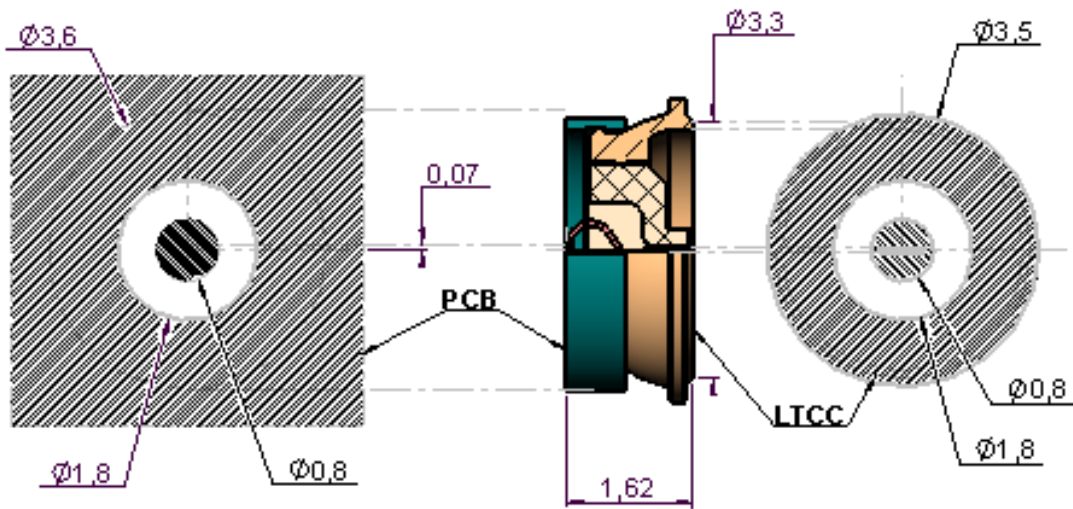
Recommended torque		
Mating		N.cm
Panel nut		N.cm

Assembly instruction:

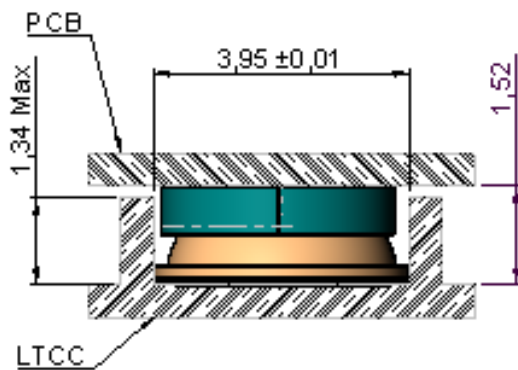
Mating life		<b>50</b>	Cycles mini
Nominal Weight		<b>0,0600</b>	g
(Add +15% for max weight)			

Others:  
**\*V.S.W.R: 1.3 max DC-12GHz**  
**\*V.S.W.R: 1.5 max ->18GHz**  
**\*\*0.20dB maxi**

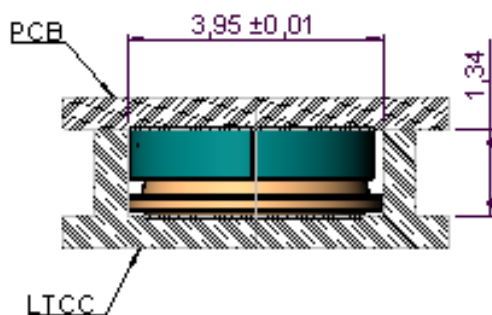
PAGE 3/3	ISSUE 12-11-18A	SERIES IMP	PART NUMBER R107802000
----------	-----------------	------------	------------------------



**2 - COMPRESSED : 1.52**



**3 - COMPRESSED : 1.34**



**1 - UNCOMPRESSED**



## X-ON Electronics

Largest Supplier of Electrical and Electronic Components

*Click to view similar products for [Board to Board & Mezzanine Connectors](#) category:*

*Click to view products by [Radiall](#) manufacturer:*

Other Similar products are found below :

[589158040000018](#) [FCN-230C068-11](#) [FCN-268F012-G/BD](#) [FCN-268F036-G/BD](#) [FCN-268M012-G/0D](#) [FCN-268M024-G/1D](#) [FCN-723J004/1](#) [MIS-048-01-F-D-DP-K](#) [832-10-034-10-001000](#) [FX4C-80S-1.27DSA](#) [FCN-214Q030-G/0](#) [FCN-234P048-G/0](#) [FCN-235D050-G/C](#) [210-93-314-41-105000](#) [2-22603-0](#) [MDF7-40DP-2.54DSA\(55\)](#) [AXG720047](#) [5031084030](#) [MIT-114-03-F-D-K](#) [55323-1519](#) [DF33-2P-3.3DSA\(24\)](#) [YFT-20-05-H-03-SB-K](#) [503308-3040](#) [026-6203-PDB](#) [027-6203-PDB](#) [069159702701000](#) [10123981-102LF](#) [101A10019X](#) [55650-0588-C](#) [68684-306](#) [75140-7012](#) [589159005003045](#) [194261-1](#) [FCN-268F024-G0D](#) [10124054-515LF](#) [68685-603](#) [8-1616154-3](#) [MIS-019-01-F-D](#) [589159005002045](#) [541371078](#) [IL-WX-10PB-HF-B-E1000E](#) [FCN-268M024-G/3D](#) [20021832-06016C1LF](#) [KX15-20KLDL-E1000E](#) [MDF7-16DP-2.54DSA\(55\)](#) [AXE810124](#) [FCN-214J100-G/0](#) [FCN-230C068-E/S](#) [AXE812124](#) [AXE816124](#)