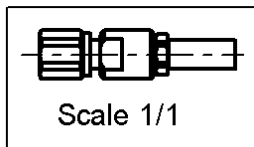
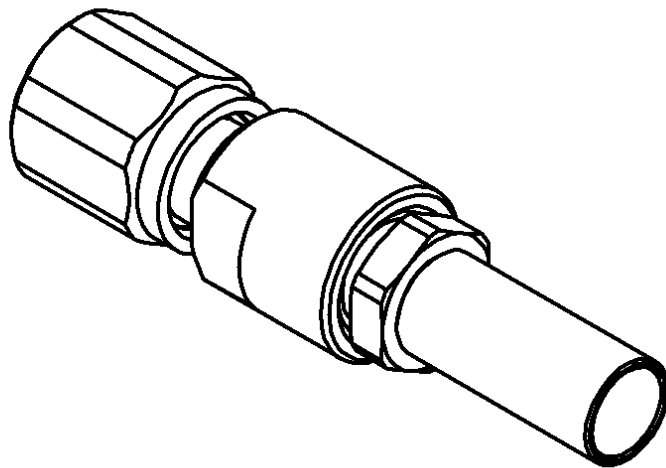
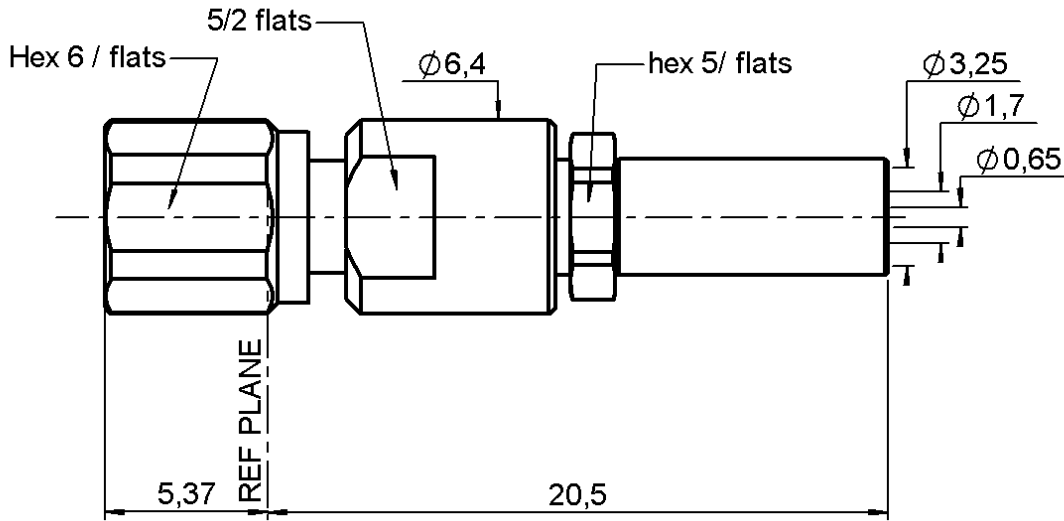


STRAIGHT PLUG CRIMP TYPE

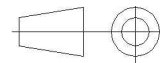
R112.075.000

CABLE 2.6/50+75 S

Series : SMC



All dimensions are in mm.



COMPONENTS	MATERIALS	PLATINGS (µm)
BODY	BRASS	GOLD 0.2 OVER NICKEL 2
CENTER CONTACT	BERYLLIUM COPPER	GOLD 1.3 OVER NICKEL 2
OUTER CONTACT	-	-
INSULATOR	PTFE	-
GASKET	-	-
OTHERS PARTS	BRASS	GOLD 0.2 OVER NICKEL 2
-	-	-
-	-	-

Issue : 0430 B

In the effort to improve our products, we reserve the right to make changes judged to be necessary.



STRAIGHT PLUG CRIMP TYPE

CABLE 2.6/50+75 S

R112.075.000

Series : SMC

PACKAGING

Standard	Unit	Other
1	-	Contact us

SPECIFICATION

ELECTRICAL CHARACTERISTICS

Impedance		50	Ω
Frequency		0-10	GHz
VSWR	1.20 +	0.040	x F(GHz) Maxi
Insertion loss		0.125	\sqrt{F} (GHz) dB Maxi
RF leakage	- (62	- F(GHz)) dB Maxi
Voltage rating		335	Veff Maxi
Dielectric withstanding voltage		1000	Veff mini
Insulation resistance		1000	M Ω mini

CABLE ASSEMBLY

Stripping	a	b	c	d	e	f
mm	2.20	5.40	15.5	0.00	13.3	0.00

Assembly instruction :

Recommended cable(s)
 RG 179
 KX 22A
 RG 187
 RG 188
 RG 316

Characteristics indicated on this data sheet are those that can be achieved with the highest performance cable. Intrinsic limitations of the cable may diminish the performance of the assembly

Cable retention

- pull off	110	N mini
- torque	NA	N.cm

MECHANICAL CHARACTERISTICS

Center contact retention			
Axial force – Mating end		10	N mini
Axial force – Opposite end		10	N mini
Torque		NA	N.cm mini

TOOLING

Part Number	Description	Hexagon
.	.	.
R282.211.000	CRIMPING TOOL	3.25
R282.235.003	CRIMPING DIES	3.25
R282.293.000	CRIMPING TOOL	-

Recommended torque			
Mating		30	N.cm
Panel nut		NA	N.cm
Clamp nut		70	N.cm
A/F clamp nut		5.000	mm

Mating life		500	Cycles mini
Weight		0.000	g

OTHERS CHARACTERISTICS

ENVIRONMENTAL

Operating temperature		-65/+165	$^{\circ}$ C
Hermetic seal		NA	Atm.cm3/s
Panel leakage		NA	

Issue : 0430 B

In the effort to improve our products, we reserve the right to make changes judged to be necessary.



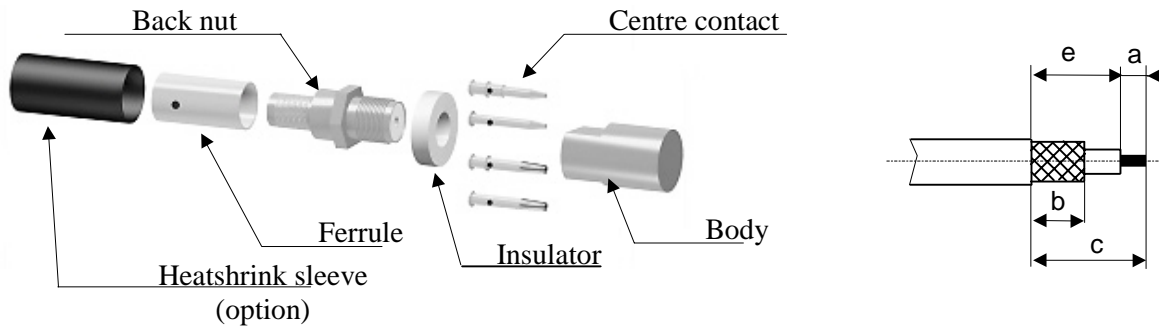
STRAIGHT PLUG CRIMP TYPE

R112.075.000

CABLE 2.6/50+75 S

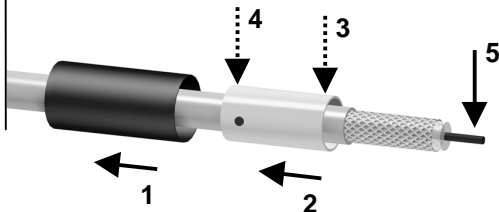
Series : SMC

COMPONENTS



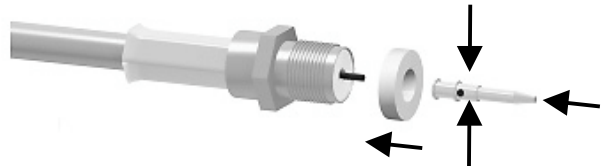
1

Slide the heatshrink sleeve onto the cable (Option).
Slide the ferrule onto the cable.
Position the ferrule's hole at the front if soldering.
Position the ferrule's hole at the back if crimping.
Strip the cable.



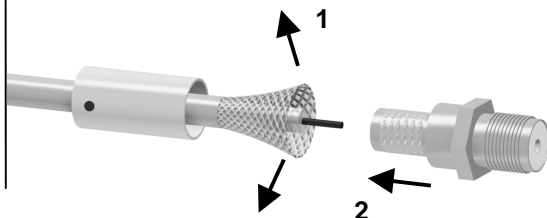
4

Slide the centre contact on until it bottoms against the insulator back nut.
Solder or crimp the contact (see connector TDS).



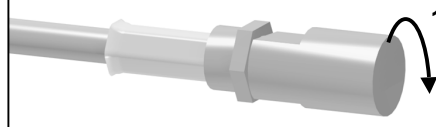
2

Fan the braid.
Slide the cable into the back nut.



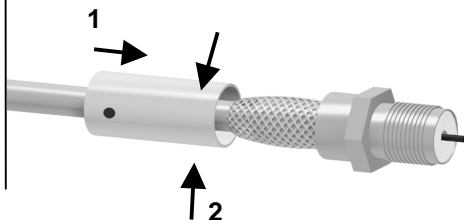
5

Screw the back nut into the connector body with the adapted wrench.
Recommended coupling torque 63 to 70 N cm.



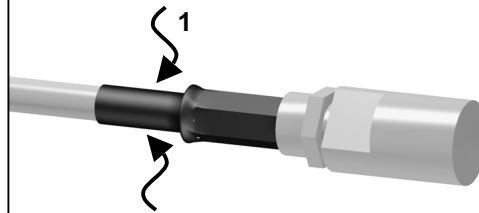
3

Slide the ferrule over the braid.
Crimp the ferrule with crimping tool (see connector TDS).



6

Slide the sleeve over the ferrule and heatshrink it in place (option).



Issue : 0430 B

In the effort to improve our products, we reserve the right to make changes judged to be necessary.



RADIALL®

X-ON Electronics

Largest Supplier of Electrical and Electronic Components

Click to view similar products for [RF Connectors / Coaxial Connectors](#) category:

Click to view products by [Radiall](#) manufacturer:

Other Similar products are found below :

[8915-1511-000](#) [89674-0827](#) [6001-7071-019](#) [6002-7051-003](#) [6002-7551-202](#) [6059674-1](#) [619550-1](#) [630059-000](#) [M39030/3-01N](#) [6500-7071-046](#) [6769](#) [CX050L2AQ](#) [7002-1541-010](#) [7002-1542-011](#) [7004-1512-000](#) [7009-1511-004](#) [7010-1511-000](#) [7029-1511-060](#) [7101-1541-010](#) [7101-1571-002](#) [7105-1521-002](#) [7145-1521-002](#) [7203-1571-003](#) [7209-1511-011](#) [7210-1511-015](#) [7210-1511-019](#) [73137-5015](#) [73216-2241](#) [73404-2300](#) [7405-1521-005](#) [7405-1521-802](#) [8527](#) [8547](#) [FS11V](#) [877931](#) [8808-1511-001](#) [9074-9513-000](#) [9101-9573-002](#) [910A205F](#) [9130-9573-002](#) [PL11SC-026](#) [PL375-33](#) [PL40-5](#) [PL74C-221](#) [PL75MC-217](#) [PL803-7](#) [1200690078](#) [1-201144-1](#) [R107003010W](#) [R110A172100](#)