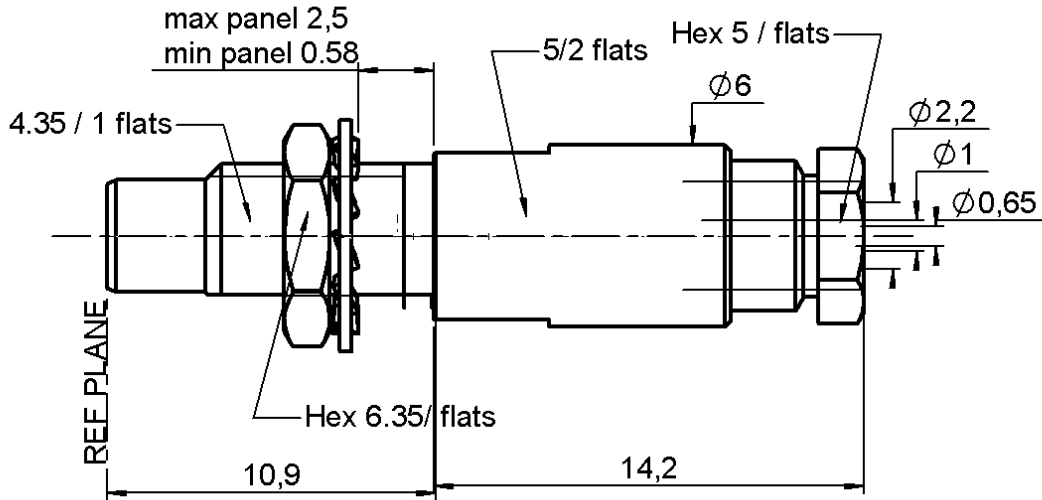


**STRAIGHT BULKHEAD JACK CLAMP TYPE**

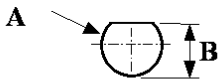
**R112.303.000**

**REAR MOUNT - CABLE 2/50 S**

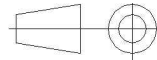
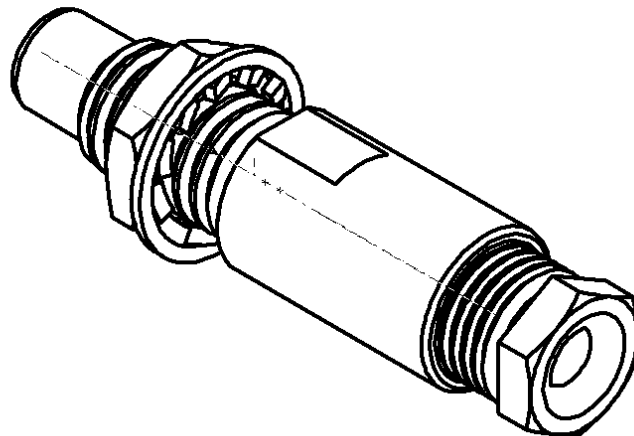
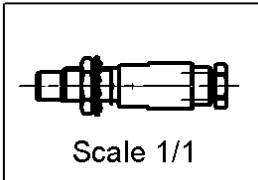
Series : SMC



**PANEL CUT OUT**



mm		
	Maxi	mini
A	5	4.9
B	4.58	4.56



All dimensions are in mm.

COMPONENTS	MATERIALS	PLATINGS (µm)
BODY	BRASS	GOLD 0.2 OVER NICKEL 2
CENTER CONTACT	BRASS	GOLD 1.3 OVER NICKEL 2
OUTER CONTACT	-	-
INSULATOR	PTFE	-
GASKET	CHLOROPRENE	-
OTHERS PARTS	BRASS	GOLD 0.2 OVER NICKEL 2
-	-	-
-	-	-

Issue : 0422 T

In the effort to improve our products, we reserve the right to make changes judged to be necessary.



**STRAIGHT BULKHEAD JACK CLAMP TYPE**

**R112.303.000**

**REAR MOUNT - CABLE 2/50 S**

Series : SMC

**PACKAGING**

Standard	Unit	Other
<b>1</b>	-	<b>Contact us</b>

**SPECIFICATION**

**CABLE ASSEMBLY**

**ELECTRICAL CHARACTERISTICS**

Stripping	a	b	c	d	e	f
mm	2.50	1.20	4.50	4.50	0.00	0.00

Impedance		<b>50</b> Ω
Frequency		<b>0-10</b> GHz
VSWR	<b>1.25</b> +	<b>0.040</b> x F(GHz) Maxi
Insertion loss		<b>0.125</b> √F(GHz) dB Maxi
RF leakage	- (	<b>62</b> - F(GHz)) dB mini
Voltage rating		<b>250</b> Veff Maxi
Dielectric withstanding voltage		<b>750</b> Veff mini
Insulation resistance		<b>1000</b> MΩ mini

Assembly instruction :

Recommended cable(s)  
 RG 178  
 KX 21  
 RG 196  
 RG 178 LC

Cable retention

- pull off **58** N mini  
 - torque **NA** N.cm

**MECHANICAL CHARACTERISTICS**

**TOOLING**

Center contact retention		
Axial force – Mating end	<b>10</b>	N mini
Axial force – Opposite end	<b>10</b>	N mini
Torque	<b>NA</b>	N.cm mini

Part Number	Description	Hexagon
.	.	.

Recommended torque		
Mating	<b>NA</b>	N.cm
Panel nut	<b>60</b>	N.cm
Clamp nut	<b>70</b>	N.cm
A/F clamp nut	<b>5.000</b>	mm

**OTHERS CHARACTERISTICS**

Mating life	<b>500</b>	Cycles mini
Weight	<b>2.800</b>	g

**ENVIRONMENTAL**

Operating temperature	<b>-55°/+100</b>	° C
Hermetic seal	<b>NA</b>	Atm.cm3/s
Panel leakage	<b>NA</b>	

Issue : 0422 T

In the effort to improve our products, we reserve the right to make changes judged to be necessary.

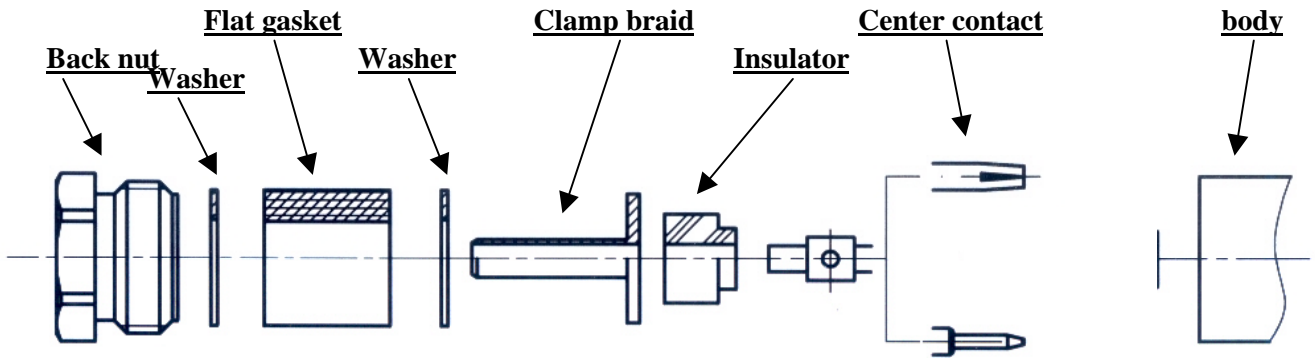


**STRAIGHT BULKHEAD JACK CLAMP TYPE**

**R112.303.000**

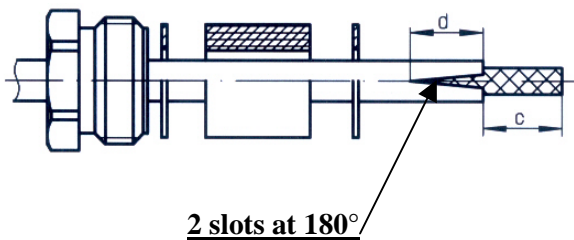
**REAR MOUNT - CABLE 2/50 S**

Series : SMC



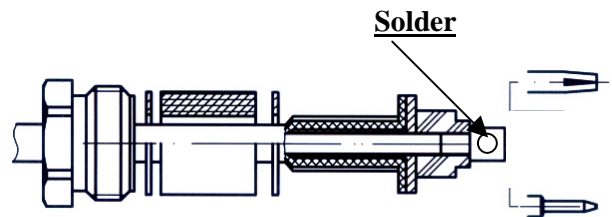
**1**

Slide the back nut, the washer 1, the flat gasket, the washer 2 onto the cable.  
Strip the cable.  
Cut 2 slots in the jacket if necessary.



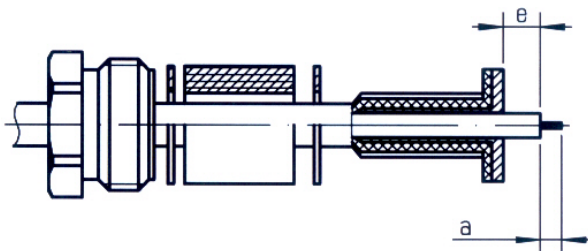
**3**

Slide the first insulator.  
Slide the center contact and solder.



**2**

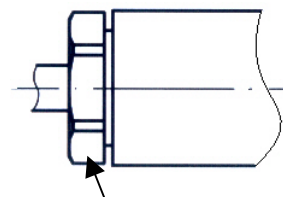
Slide the clamp braid sleeve.  
Cut the braid flush with the clamp braid sleeve.  
Strip off the diélectric.



**4**

Screw sub-assembly into the connector body with the adapted wrench.

Recommended coupling torque ( see connector TDS ).



**Hex. : see connector TDS**

**Issue : 0422 T**

In the effort to improve our products, we reserve the right to make changes judged to be necessary.



## X-ON Electronics

Largest Supplier of Electrical and Electronic Components

*Click to view similar products for [RF Connectors / Coaxial Connectors](#) category:*

*Click to view products by [Radiall](#) manufacturer:*

Other Similar products are found below :

[8915-1511-000](#) [89674-0827](#) [6001-7071-019](#) [6002-7051-003](#) [6002-7551-202](#) [6059674-1](#) [619550-1](#) [630059-000](#) [M39030/3-01N](#) [6500-7071-046](#) [6769](#) [CX050L2AQ](#) [7002-1541-010](#) [7002-1542-011](#) [7004-1512-000](#) [7009-1511-004](#) [7010-1511-000](#) [7029-1511-060](#) [7101-1541-010](#) [7101-1571-002](#) [7105-1521-002](#) [7145-1521-002](#) [7203-1571-003](#) [7209-1511-011](#) [7210-1511-015](#) [7210-1511-019](#) [73137-5015](#) [73216-2241](#) [73404-2300](#) [7405-1521-005](#) [7405-1521-802](#) [8527](#) [8547](#) [FS11V](#) [877931](#) [8808-1511-001](#) [9074-9513-000](#) [9101-9573-002](#) [910A205F](#) [9130-9573-002](#) [PL11SC-026](#) [PL375-33](#) [PL40-5](#) [PL74C-221](#) [PL75MC-217](#) [PL803-7](#) [1200690078](#) [1-201144-1](#) [R107003010W](#) [R110A172100](#)