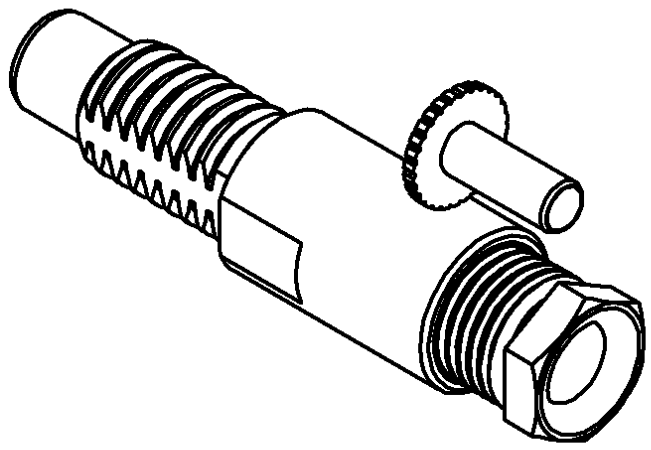
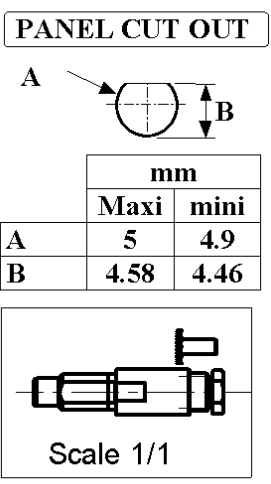
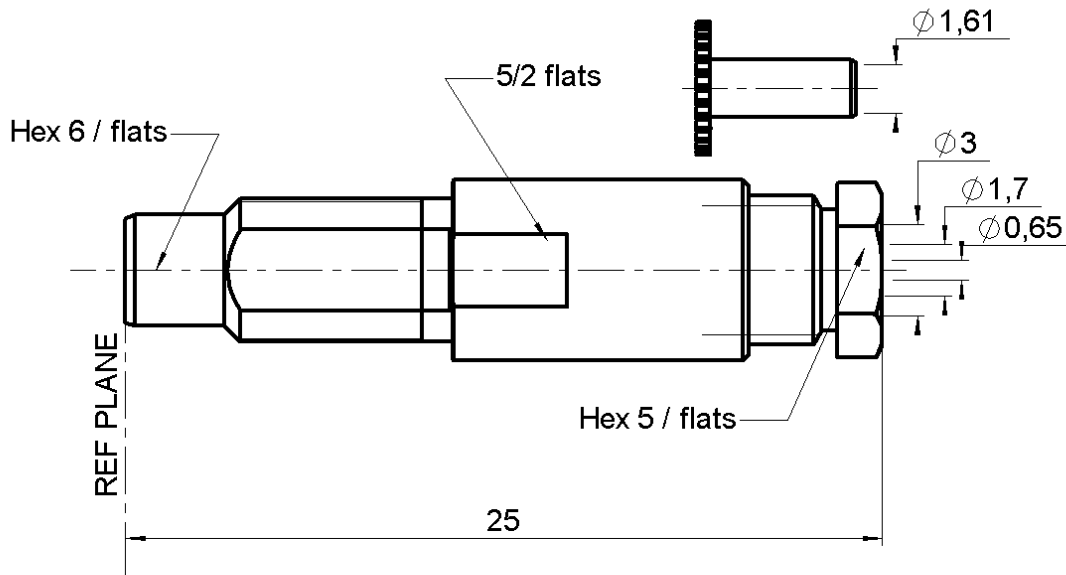


STRAIGHT BULKHEAD JACK CLAMP TYPE

R112.305.000

REAR MOUNT - CABLE 2.6/50+75 S

Series : SMC



All dimensions are in mm.



COMPONENTS	MATERIALS	PLATINGS (µm)
BODY	BRASS	GOLD 0.2 OVER NICKEL 2
CENTER CONTACT	BRASS	GOLD 1.3 OVER NICKEL 2
OUTER CONTACT	-	-
INSULATOR	PTFE	-
GASKET	CHLOROPRENE	-
OTHERS PARTS	BRASS	GOLD 0.2 OVER NICKEL 2
-	-	-
-	-	-

Issue : 0341 E

In the effort to improve our products, we reserve the right to make changes judged to be necessary.



STRAIGHT BULKHEAD JACK CLAMP TYPE

R112.305.000

REAR MOUNT - CABLE 2.6/50+75 S

Series : SMC

PACKAGING

Standard	Unit	Other
1	-	Contact us

SPECIFICATION

ELECTRICAL CHARACTERISTICS

Impedance		50 Ω
Frequency		0-10 GHz
VSWR	1.20 +	0.040 x F(GHz) Maxi
Insertion loss		0.125 √F(GHz) dB Maxi
RF leakage	- (62 - F(GHz)) dB mini
Voltage rating		335 Veff Maxi
Dielectric withstanding voltage		1000 Veff mini
Insulation resistance		1000 MΩ mini

CABLE ASSEMBLY

Stripping	a	b	c	d	e	f
mm	2.50	1.20	4.50	4.50	0.00	0.00

Assembly instruction :

Recommended cable(s)

RG 187
RG 188
RG 316
RG 179
KX 22A

MECHANICAL CHARACTERISTICS

Center contact retention		
Axial force – Mating end		10 N mini
Axial force – Opposite end		10 N mini
Torque		NA N.cm mini

Cable retention

- pull off **110** N mini
- torque **NA** N.cm

TOOLING

Part Number	Description	Hexagon
.	.	.

Recommended torque		
Mating		NA N.cm
Panel nut		60 N.cm
Clamp nut		70 N.cm
A/F clamp nut		5.000 mm

OTHERS CHARACTERISTICS

Mating life		500 Cycles mini
Weight		3.000 g

ENVIRONMENTAL

Operating temperature		-65/+165 °C
Hermetic seal		NA Atm.cm3/s
Panel leakage		NA

Issue : 0341 E

In the effort to improve our products, we reserve the right to make changes judged to be necessary.



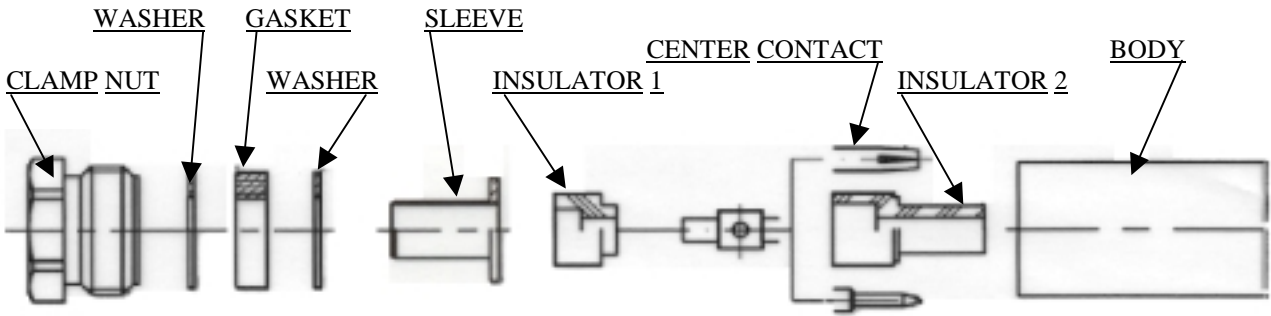
STRAIGHT BULKHEAD JACK CLAMP TYPE

R112.305.000

REAR MOUNT - CABLE 2.6/50+75 S

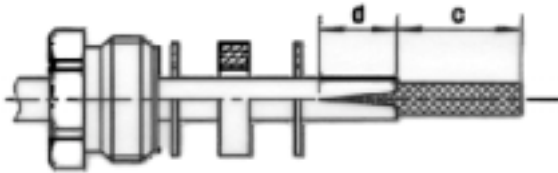
Series : SMC

COMPONENTS



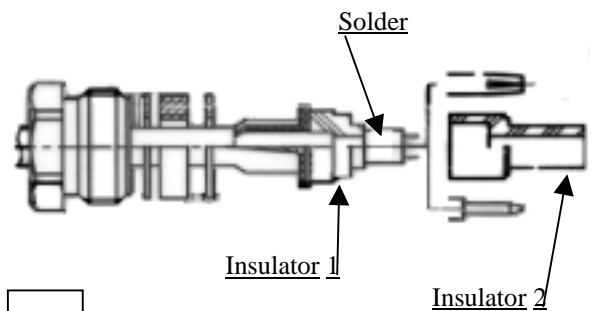
1

- Mount clamp nut, washer, flat gasket, washer.
- Strip the cable, make 2 slits 180° apart in the sheath.



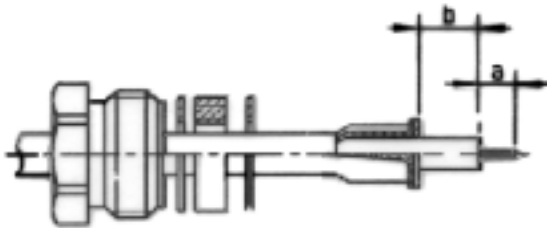
3

- Mount the insulator 1
- Mount the center contact and solder.
- Mount the insulator.2



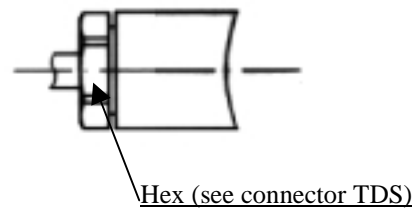
2

- Mount the braid-clamp.
- (for cable 2.6/50 use knurled clamp , for cable 2.6/75 use smooth clamp.
- Cut braid flush Ø of braid clamp.
- Strip off the dielectric.



4

- Screw the cable assembly into the body.
- Recommended coupling (see connector TDS)



Issue : 0341 E

In the effort to improve our products, we reserve the right to make changes judged to be necessary.



X-ON Electronics

Largest Supplier of Electrical and Electronic Components

Click to view similar products for [RF Connectors / Coaxial Connectors](#) category:

Click to view products by [Radiall](#) manufacturer:

Other Similar products are found below :

[8915-1511-000](#) [89674-0827](#) [6001-7071-019](#) [6002-7051-003](#) [6002-7551-202](#) [6059674-1](#) [619550-1](#) [630059-000](#) [M39030/3-01N](#) [6500-7071-046](#) [6769](#) [CX050L2AQ](#) [7002-1541-010](#) [7002-1542-011](#) [7004-1512-000](#) [7009-1511-004](#) [7010-1511-000](#) [7029-1511-060](#) [7101-1541-010](#) [7101-1571-002](#) [7145-1521-002](#) [7203-1571-003](#) [7209-1511-011](#) [7210-1511-015](#) [7210-1511-019](#) [73137-5015](#) [73216-2241](#) [73404-2300](#) [7405-1521-005](#) [7405-1521-802](#) [8527](#) [8547](#) [FS11V](#) [877931](#) [8808-1511-001](#) [9049-9513-000](#) [9074-9513-000](#) [9101-9573-002](#) [910A205F](#) [9130-9573-002](#) [PL11SC-026](#) [PL375-33](#) [PL40-5](#) [PL74C-221](#) [PL75MC-217](#) [PL803-7](#) [980-8666-005](#) [1200690078](#) [1-201144-1](#) [R107003010W](#)