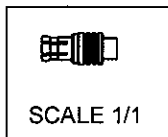
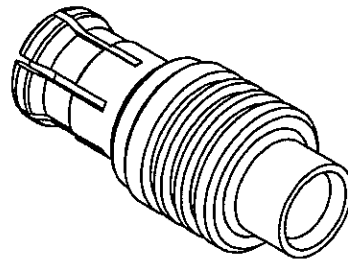
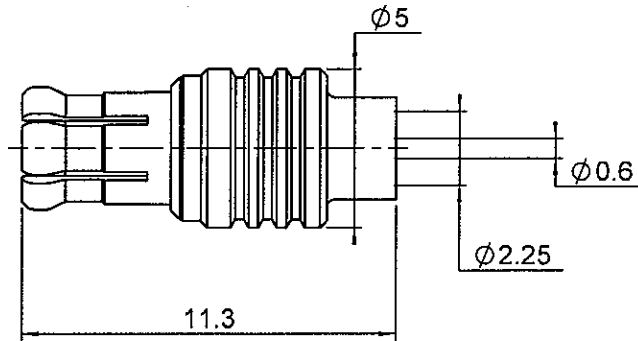
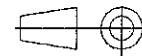


TECHNICAL DATA SHEET	1/3
STRAIGHT PLUG SOLDER TYPE CABLE .085	R113.053.000 Series : MCX



All dimensions are in mm.




COMPONENTS	MATERIALS	PLATINGS (µm)
BODY	BRASS	GOLD 0.2 OVER NICKEL 2
CENTER CONTACT	BRASS	GOLD 1.3 OVER NICKEL 2
OUTER CONTACT	BERYLLIUM COPPER	GOLD 0.5 OVER NICKEL 2
INSULATOR	PTFE	
GASKET	-	-
OTHERS PARTS	-	-
-	-	-
-	-	-

Issue : 0925 B

In the effort to improve our products, we reserve the right to make changes judged to be necessary.

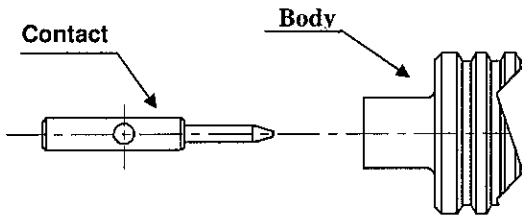
RADIALL

TECHNICAL DATA SHEET		2 / 3														
STRAIGHT PLUG SOLDER TYPE		R113.053.000														
CABLE .085		Series : MCX														
PACKAGING		SPECIFICATION														
Standard	Unit	Other														
100	'W' option	Contact us														
ELECTRICAL CHARACTERISTICS		CABLE ASSEMBLY														
Impedance	50 Ω															
Frequency	0-6 GHz															
VSWR	1.10 + 0.0400 x F(GHz) Maxi															
Insertion loss	0.25 √F(GHz) dB Maxi															
RF leakage	- (NA - F(GHz)) dB mini															
Voltage rating	250 Veff Maxi															
Dielectric withstanding voltage	750 Veff mini															
Insulation resistance	1000 MΩ mini															
		<table border="1" style="width:100%; border-collapse: collapse;"> <thead> <tr> <th style="text-align: left;">Stripping</th> <th>a</th> <th>b</th> <th>c</th> <th>d</th> <th>e</th> <th>f</th> </tr> </thead> <tbody> <tr> <td>mm</td> <td>2.70</td> <td>0.00</td> <td>0.00</td> <td>0.00</td> <td>2.10</td> <td>0.00</td> </tr> </tbody> </table>	Stripping	a	b	c	d	e	f	mm	2.70	0.00	0.00	0.00	2.10	0.00
Stripping	a	b	c	d	e	f										
mm	2.70	0.00	0.00	0.00	2.10	0.00										
		Assembly instruction : Recommended cable(s) KS 1 RG 405 Cable retention - pull off 155 N mini - torque NA N.cm														
MECHANICAL CHARACTERISTICS		TOOLING														
Center contact retention																
Axial force – Mating end	NA N mini															
Axial force – Opposite end	NA N mini															
Torque	NA N.cm mini															
		<table border="1" style="width:100%; border-collapse: collapse;"> <thead> <tr> <th style="text-align: left;">Part Number</th> <th>Description</th> <th>Hexagon</th> </tr> </thead> <tbody> <tr> <td>R282.740.020</td> <td>SOLDERING MOUNTING</td> <td></td> </tr> </tbody> </table>	Part Number	Description	Hexagon	R282.740.020	SOLDERING MOUNTING									
Part Number	Description	Hexagon														
R282.740.020	SOLDERING MOUNTING															
Recommended torque																
Mating	NA N.cm															
Panel nut	NA N.cm															
Clamp nut	NA N.cm															
A/F clamp nut	0.0000 mm															
Mating life	500 Cycles mini															
Weight	0.6430 g															
ENVIRONMENTAL		OTHERS CHARACTERISTICS														
Operating temperature	-55/+115 ° C															
Hermetic seal	NA Atm.cm3/s															
Panel leakage	NA															
Issue : 0925 B In the effort to improve our products, we reserve the right to make changes judged to be necessary.																

STRAIGHT PLUG SOLDER TYPE
CABLE .085

R113.053.000
 Series : MCX

COMPONENT



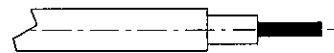
STRIPPING DIMENSIONS



We recommend a thermal preconditioning cable.

1

Cable stripping.



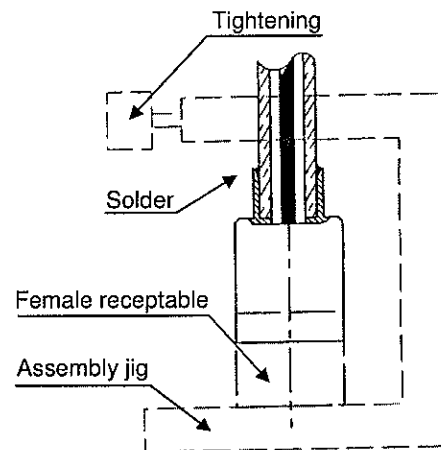
2

Tin centre contact solder pot.
 Solder centre contact on cable inner conductor.
 Clean solder.



3

Introduce cable into the connector body until contact with the body shoulder.
 Place the sub assembly into the assembly jig R282 740 020 (or equivalent).
 We advise to connect a female receptable to the connector prior to solder the body in order to respect right centre contact position.
 Tighten the sub assembly.
 Solder body on the cable.
 Let the assembly cool down before removing it from the jig.
 Clean solder.



Issue : 0925 B

In the effort to improve our products, we reserve the right to make changes judged to be necessary.



X-ON Electronics

Largest Supplier of Electrical and Electronic Components

Click to view similar products for [RF Connectors / Coaxial Connectors](#) category:

Click to view products by [Radiall](#) manufacturer:

Other Similar products are found below :

[8915-1511-000](#) [89674-0827](#) [6001-7071-019](#) [6002-7051-003](#) [6002-7551-202](#) [6059674-1](#) [619550-1](#) [630059-000](#) [M39030/3-01N](#) [6500-7071-046](#) [6769](#) [CX050L2AQ](#) [7002-1541-010](#) [7002-1542-011](#) [7004-1512-000](#) [7009-1511-004](#) [7010-1511-000](#) [7029-1511-060](#) [7101-1541-010](#) [7101-1571-002](#) [7145-1521-002](#) [7203-1571-003](#) [7209-1511-011](#) [7210-1511-015](#) [7210-1511-019](#) [73137-5015](#) [73216-2241](#) [73404-2300](#) [7405-1521-005](#) [7405-1521-802](#) [8527](#) [8547](#) [FS11V](#) [877931](#) [8808-1511-001](#) [9074-9513-000](#) [9101-9573-002](#) [910A205F](#) [9130-9573-002](#) [PL11SC-026](#) [PL375-33](#) [PL40-5](#) [PL74C-221](#) [PL75MC-217](#) [PL803-7](#) [1200690078](#) [1-201144-1](#) [R107003010W](#) [R110A172100](#) [R112186000](#)