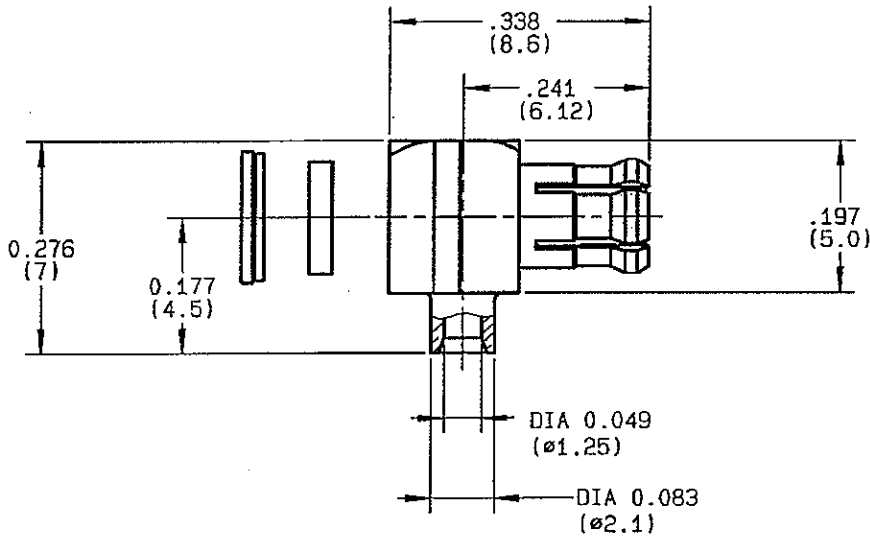


**RIGHT ANGLE PLUG SOLDER TYPE
CABLE .047**

R113.151.000
SERIES MCX



NOMINAL IMPEDANCE	50 Ω
FREQUENCY RANGE	0-6 GHz
TEMPERATURE RATING	-55/+115 °C
V.S.W.R	1.10 + .075 x F(GHz)Maxi
RF INSERTION LOSS	0.5 \sqrt{F} (GHz) dB Maxi
VOLTAGE RATING	175 Veff Maxi
DIELECTRIC WITHSTANDING VOLTAGE	500 Veff Mini
INSULATION RESISTANCE	1000 M Ω Mini
HERMETIC SEAL	NA Atm.cm ³ /s
LEAKAGE (pressurized only)	NA
MECHANICAL DURABILITY	500 Cycles
WEIGHT	.8 gr
SPECIFICATION	

CABLES : .047

OTHERS CHARACTERISTICS

CABLE RETENTION	45 N Mini
CENTER CONTACT RETENTION	
Axial force - mating end	10 N Mini
Axial force - opposite end	10 N Mini
Torque	NA cm.N Mini
RECOMMENDED TORQUES	
Mating	NA cm.N
Panel nut	NA cm.N
Clamp nut	NA cm.N

CONNECTOR PARTS	MATERIALS	FINISH	(all values are given in micrometers)
BODY	BRASS	GOLD 0.2 OVER NICKEL 2	
OUTER CONTACT	BERYLLIUM COPPER	GOLD 0.5 OVER NICKEL 2	
CENTER CONTACT	BRASS	GOLD 1.3 OVER NICKEL 2	
INSULATOR	PTFE	-	
GASKET		-	
OTHERS PIECES			

ISSUE 0516F00 CREATION DATE 31/08/1988 FILE PART-NUMBER

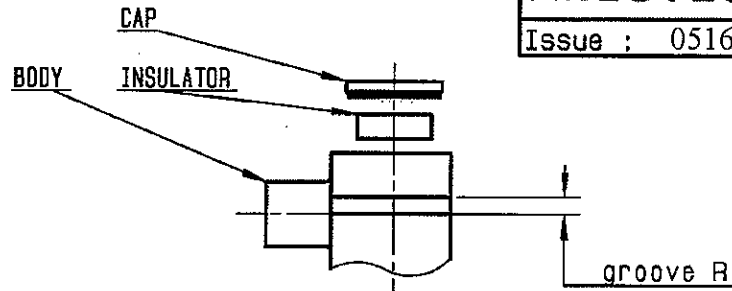


RADIALL®

BAFFERT

The information given here is subject to change without notice. Design changes may be in order to improve the product.

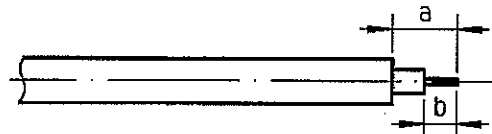
Connect to the future



We recommend a thermal preconditioning cable

①

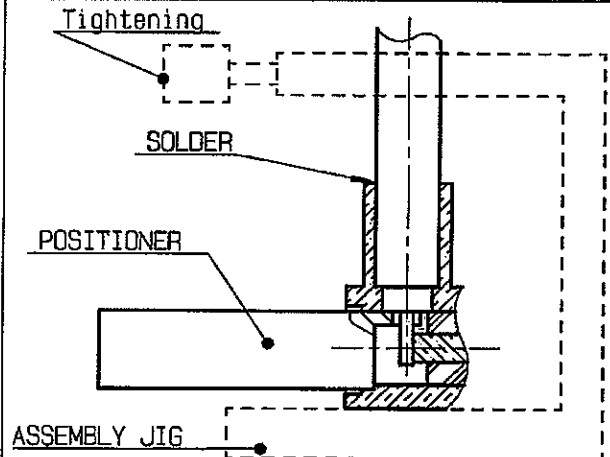
Strip the cable.
To clean the cable.
To tin cable inner conductor.



Stripping	a	b	c	d	e
inch	0.126	0.087	0	0	0
mm	3.2	2.2	-	-	-

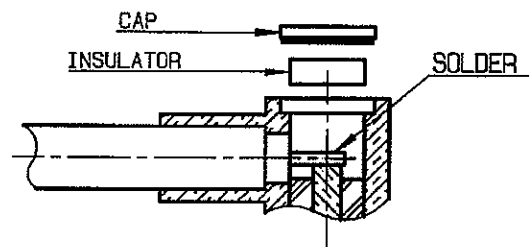
②

- 1 -Introduce the positioner R282 864 010 and the cable into the connector body until contact with the body shoulder, place the sub assembly into the assembly jig R282 740 020 and tighten it.
- 2 -Solder body on the cable and let assembly cool down before removing it from the jig.
- 3 -To clean soldering area.



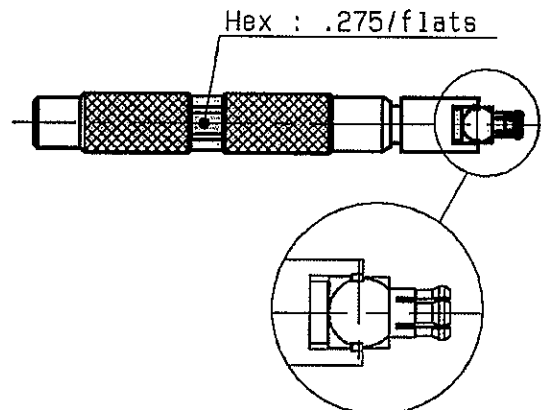
③

To solder cable inner conductor into the centre contact.
To clean soldering area.
Introduce the insulator into the body.
Press fit the cap.



④

Slide mounting tool R282 868 onto the body grooves .
Press fit the cap turning tool handle with adapted wrench .275(AF) (cap in the same plan than square face) .



X-ON Electronics

Largest Supplier of Electrical and Electronic Components

Click to view similar products for [RF Connectors / Coaxial Connectors](#) category:

Click to view products by [Radiall](#) manufacturer:

Other Similar products are found below :

[8915-1511-000](#) [89674-0827](#) [6001-7071-019](#) [6002-7051-003](#) [6002-7551-202](#) [6059674-1](#) [619550-1](#) [630059-000](#) [M39030/3-01N](#) [6500-7071-046](#) [6769](#) [CX050L2AQ](#) [7002-1541-010](#) [7002-1542-011](#) [7004-1512-000](#) [7009-1511-004](#) [7010-1511-000](#) [7029-1511-060](#) [7101-1541-010](#) [7101-1571-002](#) [7145-1521-002](#) [7203-1571-003](#) [7209-1511-011](#) [7210-1511-015](#) [7210-1511-019](#) [73137-5015](#) [73216-2241](#) [73404-2300](#) [7405-1521-005](#) [7405-1521-802](#) [8527](#) [8547](#) [FS11V](#) [877931](#) [8808-1511-001](#) [9074-9513-000](#) [9101-9573-002](#) [910A205F](#) [9130-9573-002](#) [PL11SC-026](#) [PL375-33](#) [PL40-5](#) [PL74C-221](#) [PL75MC-217](#) [PL803-7](#) [1200690078](#) [1-201144-1](#) [R107003010W](#) [R110A172100](#) [R112186000](#)