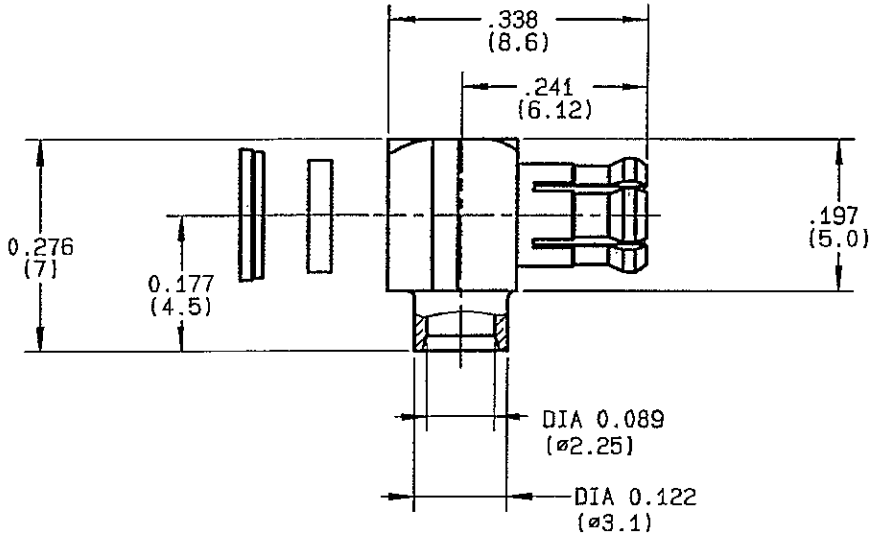


**RIGHT ANGLE PLUG SOLDER TYPE
CABLE .085**

R113.153.000
SERIES MCX



NOMINAL IMPEDANCE	50 Ω	CABLES : KS 1
FREQUENCY RANGE	0-6 GHz	RG 405
TEMPERATURE RATING	-55/+115 °C	
V.S.W.R	1.10 + .075 x F(GHz)Maxi	
RF INSERTION LOSS	0.5 \sqrt{F} (GHz) dB Maxi	
VOLTAGE RATING	250 Veff Maxi	
DIELECTRIC WITHSTANDING VOLTAGE	750 Veff Mini	
INSULATION RESISTANCE	1000 M Ω Mini	OTHERS CHARACTERISTICS
HERMETIC SEAL	NA Atm.cm ³ /s	CABLE RETENTION
LEAKAGE (pressurized only)	NA	155 N Mini
MECHANICAL DURABILITY	500 Cycles	CENTER CONTACT RETENTION
WEIGHT	.8 gr	Axial force - mating end
SPECIFICATION		10 N Mini
		Axial force - opposite end
		10 N Mini
		Torque
		NA cm.N Mini
		RECOMMENDED TORQUES
		Mating
		NA cm.N
		Panel nut
		NA cm.N
		Clamp nut
		NA cm.N

CONNECTOR PARTS	MATERIALS	FINISH	(all values are given) in micrometers
BODY	BRASS	GOLD 0.2 OVER NICKEL 2	
OUTER CONTACT	BERYLLIUM COPPER	GOLD 0.5 OVER NICKEL 2	
CENTER CONTACT	BRASS	GOLD 1.3 OVER NICKEL 2	
INSULATOR	PTFE	-	
GASKET		-	
OTHERS PIECES			

ISSUE
0516 F

CREATION DATE
31/08/1988

FILE PART-NUMBER

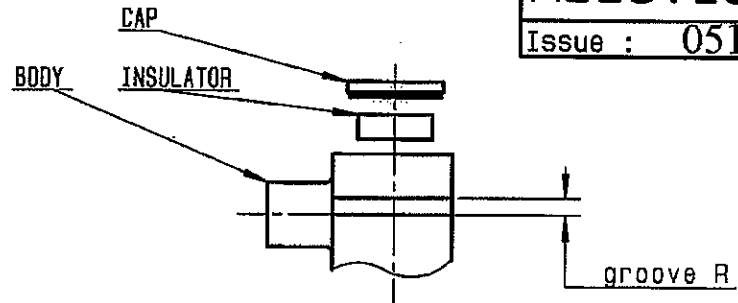


RADIALL®

BAFFERT

The information given here is subject to change without notice.
Design changes may be in order to improve the product.

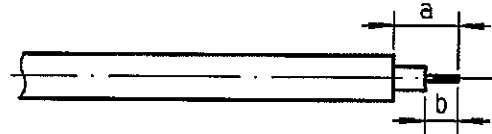
Connect to the future



We recommend a thermal preconditioning cable

①

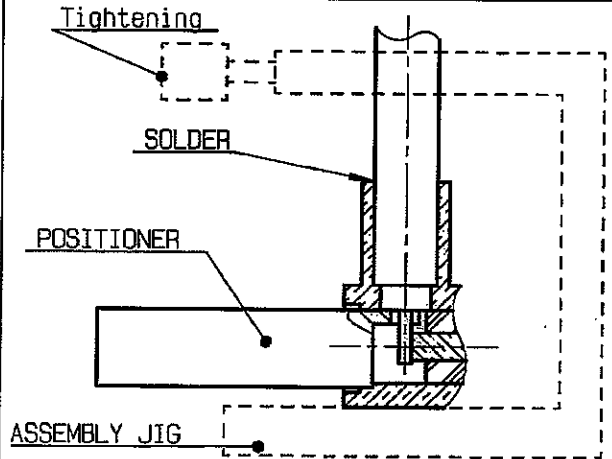
Strip the cable.
To clean the cable.
To tin cable inner conductor.



Stripping	a	b	c	d	e
inch	0.126	0.087	0	0	0
mm	3.2	2.2	-	-	-

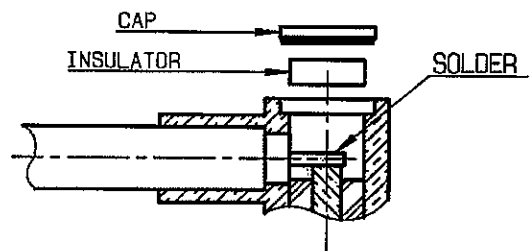
②

- 1 -Introduce the positioner R282 864 000 and the cable into the connector body until contact with the body shoulder, place the sub assembly into the assembly jig . R282 740 020 and tighten it.
- 2 -Solder body on the cable and let assembly cool down before removing it from the jig.
- 3 -To clean soldering area.



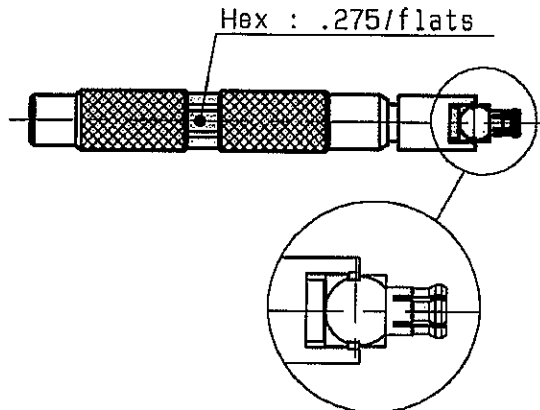
③

To solder cable inner conductor into the centre contact.
To clean soldering area.
Introduce the insulator into the body.
Press fit the cap.



④

Slide mounting tool R282 868 onto the body grooves .
Press fit the cap turning tool handle with adapted wrench .275(AF) (cap in the same plan than square face) .



X-ON Electronics

Largest Supplier of Electrical and Electronic Components

Click to view similar products for [radiall](#) manufacturer:

Other Similar products are found below :

[5919-1503-000](#) [7101-1541-010](#) [7105-1561-010](#) [MD11-035](#) [81-6201-0450](#) [9074-9513-000](#) [R113425097](#) [R114305000W](#) [R124075210](#)
[R125055000](#) [R125512000W](#) [R141154000W](#) [R141572000](#) [R143012000](#) [R143235161W](#) [R166268000](#) [R176019000](#) [R191841001W](#)
[R282102000](#) [R282744220](#) [R282918120](#) [R404770000](#) [R413808000](#) [R414430150](#) [R414520150](#) [R433514700](#) [R570022105](#) [R570123005](#)
[R570363010](#) [R570442000](#) [R570E52010](#) [R574402410](#) [R585423230](#) [R114425000](#) [R124510000](#) [R125052500](#) [R125320020W](#) [R141331500W](#)
[R162017000W](#) [R176404000](#) [R191970091](#) [R282750000](#) [R317270000](#) [R404110150](#) [R404280150](#) [R404755000](#) [R413210150](#) [R413303150](#)
[R413830150](#) [R414530150](#)