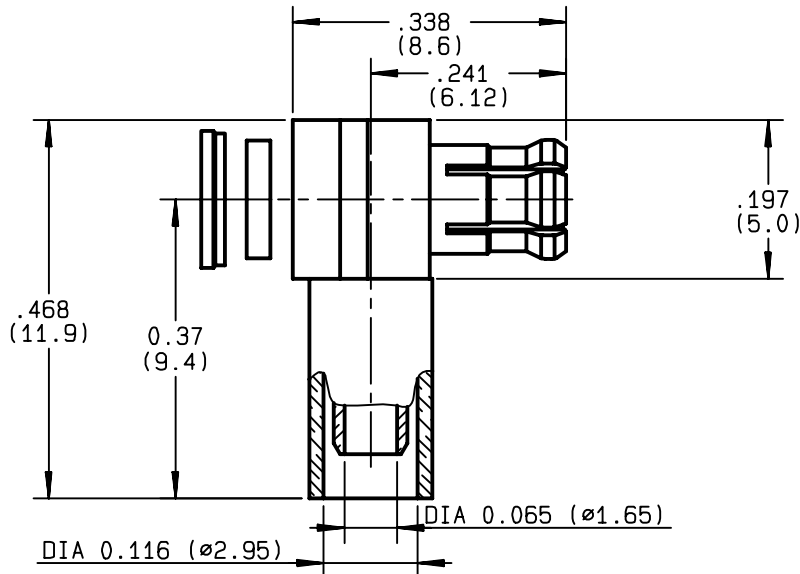


**RIGHT ANGLE PLUG CRIMP TYPE  
CABLE 2.6/50 S**

**R113.182.000**  
**SERIES MCX**



NOMINAL IMPEDANCE	<b>50</b> Ω	CABLES : <b>KX 22A</b>
FREQUENCY RANGE	<b>0-6</b> GHz	<b>RG 188</b>
TEMPERATURE RATING	<b>-55/+155</b> °C	<b>RG 316</b>
V.S.W.R	<b>1.10 + .075 x F(GHz)Maxi</b>	
RF INSERTION LOSS	<b>0.5 √F(GHz) dB Maxi</b>	
VOLTAGE RATING	<b>170</b> Veff Maxi	
DIELECTRIC WITHSTANDING VOLTAGE	<b>500</b> Veff Mini	
INSULATION RESISTANCE	<b>1000</b> MΩMini	OTHERS CHARACTERISTICS
HERMETIC SEAL	<b>NA</b> Atm.cm <sup>3</sup> /s	CABLE RETENTION <b>53</b> N Mini
LEAKAGE (pressurized only)	<b>NA</b>	CENTER CONTACT RETENTION
MECHANICAL DURABILITY	<b>500</b> Cycles	Axial force - mating end <b>10</b> N Mini
WEIGHT	<b>.7</b> gr	Axial force - opposite end <b>10</b> N Mini
SPECIFICATION		Torque <b>NA</b> cm.N Mini
		RECOMMENDED TORQUES
		Mating <b>NA</b> cm.N
		Panel nut <b>NA</b> cm.N
		Clamp nut <b>NA</b> cm.N

CONNECTOR PARTS	MATERIALS	FINISH	(all values are given ) in micrometers
BODY	BRASS	GOLD 0.2 OVER NICKEL 2	
OUTER CONTACT	BERYLLIUM COPPER	GOLD 0.5 OVER NICKEL 2	
CENTER CONTACT	BRASS	GOLD 1.3 OVER NICKEL 2	
INSULATOR	PTFE	-	
GASKET		-	
OTHERS PIECES			

ISSUE	CREATION DATE	FILE PART-NUMBER
<b>9925G00</b>	<b>30/08/1988</b>	

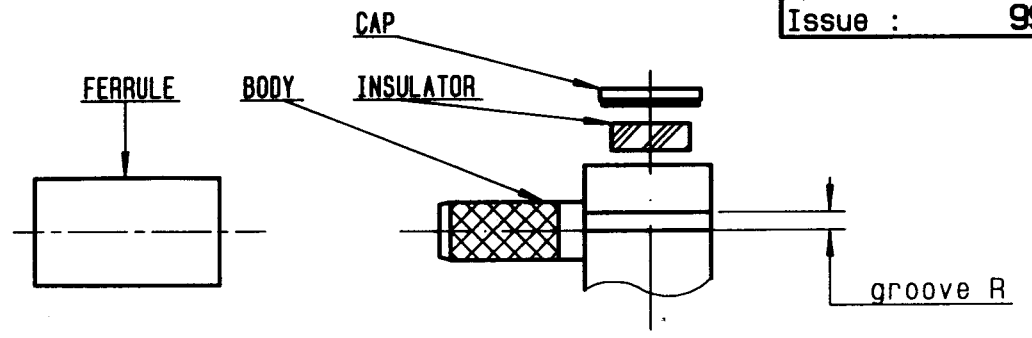


BAFFERT

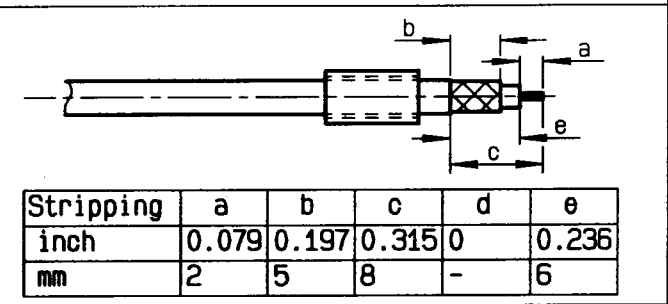
The information given here is subject to change without notice.  
Design changes may be in order to improve the product .

*Connect to the future*

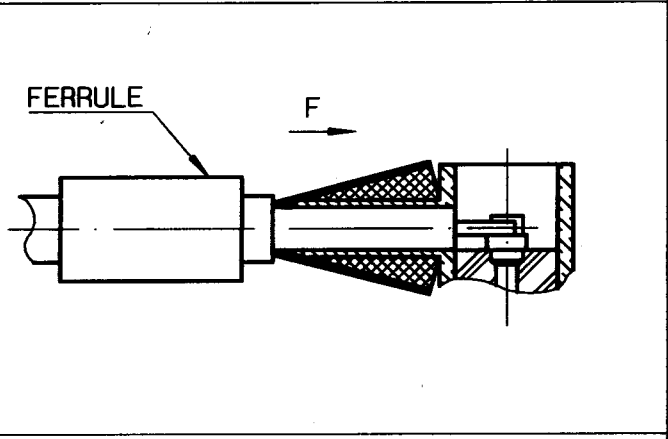
SERT 079 MCA



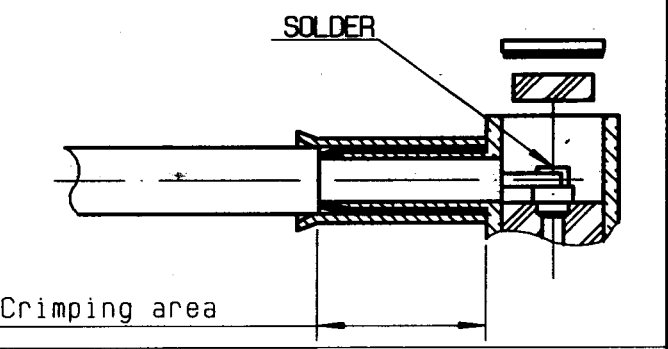
① Slide onto the cable the ferrule .  
 Strip the cable .  
 Tin cable inner conductor .  
 -



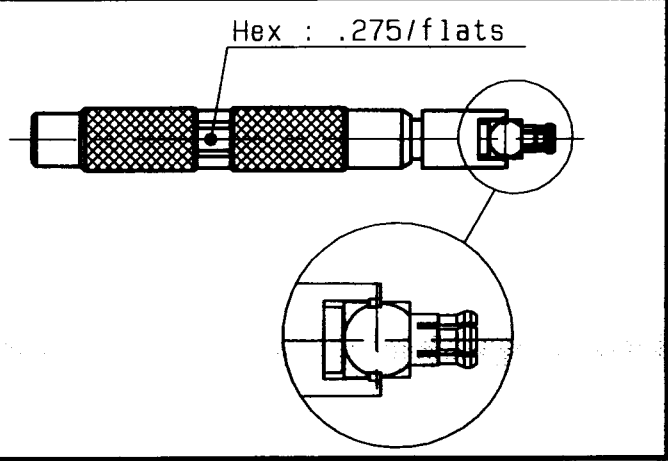
② Fan the braid .  
 Push connector body under the braid .  
 Slide the ferrule on the braid  
 ( in direction F )  
 -  
 -  
 -  
 -



③ Crimp the ferrule with crimping tool R282 271 000 ( Hex. : .128) or crimping tool R 282 293 000 ( M22520/5-01 ) .  
 + dies R 282 235 003 ( M22520/5-03 )  
 Solder inner conductor .  
 Introduce the insulator into the body .  
 Press fit the cap .



④ Slide mounting tool R282 868 onto the body grooves .  
 Press fit the cap turning tool handle with adapted wrench .275(AF) (cap in the same plan than square face) .  
 -  
 -  
 -  
 -



4112 927

## X-ON Electronics

Largest Supplier of Electrical and Electronic Components

*Click to view similar products for [RF Connectors / Coaxial Connectors](#) category:*

*Click to view products by [Radiall](#) manufacturer:*

Other Similar products are found below :

[8915-1511-000](#) [89674-0827](#) [6001-7071-019](#) [6002-7051-003](#) [6002-7551-202](#) [6059674-1](#) [619550-1](#) [630059-000](#) [M39030/3-01N](#) [6500-7071-046](#) [6769](#) [CX050L2AQ](#) [7002-1541-010](#) [7002-1542-011](#) [7004-1512-000](#) [7009-1511-004](#) [7010-1511-000](#) [7029-1511-060](#) [7101-1541-010](#) [7101-1571-002](#) [7145-1521-002](#) [7203-1571-003](#) [7209-1511-011](#) [7210-1511-015](#) [7210-1511-019](#) [73137-5015](#) [73216-2241](#) [73404-2300](#) [7405-1521-005](#) [7405-1521-802](#) [8527](#) [8547](#) [FS11V](#) [877931](#) [8808-1511-001](#) [9049-9513-000](#) [9074-9513-000](#) [9101-9573-002](#) [910A205F](#) [9130-9573-002](#) [PL11SC-026](#) [PL375-33](#) [PL40-5](#) [PL74C-221](#) [PL75MC-217](#) [PL803-7](#) [980-8666-005](#) [1200690078](#) [1-201144-1](#) [R107003010W](#)