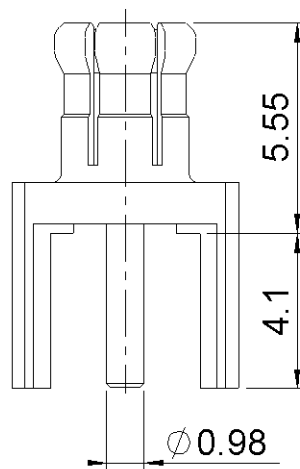
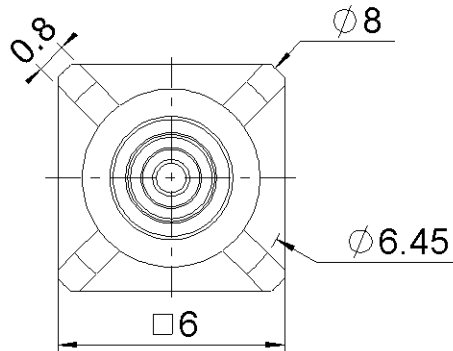
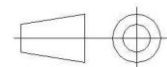
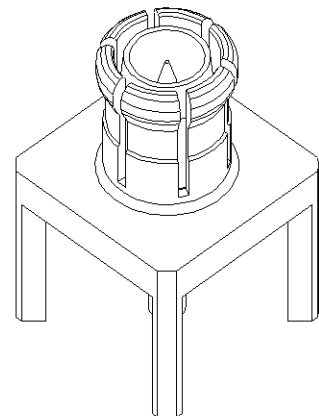
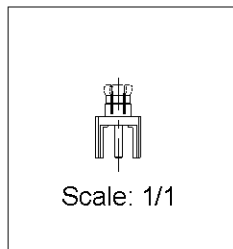
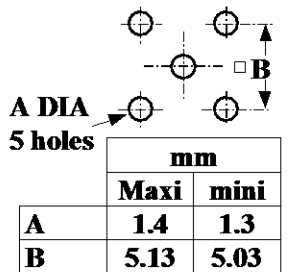


PAGE 1/2	ISSUE 30-06-15A	SERIES MCX	PART NUMBER R113425097
----------	-----------------	------------	------------------------



**PANEL CUT OUT**



All dimensions are in mm.

COMPONENTS	MATERIALS	PLATING (μm)
Body	<b>BERYLLIUM COPPER</b>	<b>GOLD OVER COPPER</b>
Center contact	<b>NON MAGNETIC BRONZE</b>	<b>GOLD OVER COPPER</b>
Outer contact		
Insulator	<b>PTFE</b>	
Gasket		
Others parts	<b>NON MAGNETIC BRONZE</b>	<b>GOLD OVER COPPER</b>
-	-	-
-	-	-

PAGE 2/2	ISSUE <b>30-06-15A</b>	SERIES <b>MCX</b>	PART NUMBER <b>R113425097</b>
----------	------------------------	-------------------	-------------------------------

**PACKAGING**

Standard	Unit	Other
<b>100</b>	<b>Contact us</b>	<b>Contact us</b>

**ELECTRICAL CHARACTERISTICS**

Impedance		<b>50</b>	Ω
Frequency		<b>0-6</b>	GHz
VSWR	<b>**1.05</b>	<b>+</b>	<b>0.0300</b> x F(GHz) Maxi
Insertion loss		<b>*0.05</b>	√F(GHz) dB Maxi
RF leakage	- (	<b>NA</b>	- F(GHz)) dB Maxi
Voltage rating		<b>335</b>	Veff Maxi
Dielectric withstanding voltage		<b>1000</b>	Veff mini
Insulation resistance		<b>1000</b>	MΩ mini

**MECHANICAL CHARACTERISTICS**

Center contact retention			
Axial force – Mating End		<b>10</b>	N mini
Axial force – Opposite end		<b>10</b>	N mini
Torque		<b>NA</b>	N.cm mini
Recommended torque			
Mating		<b>NA</b>	N.cm
Panel nut		<b>NA</b>	N.cm
Mating life		<b>500</b>	Cycles mini
Weight		<b>0.5400</b>	g

**ENVIRONMENTAL**

Operating temperature	<b>-55/+125</b>	°C
Hermetic seal	<b>NA</b>	Atm.cm3/s
Panel leakage	<b>NA</b>	

**SPECIFICATION**

**OTHER CHARACTERISTICS**

Assembly instruction:**NA**

Others:

**\* Coaxial Transmission Line Only**  
**\*\* Performance strongly depends on lay out and PCB material**  
**Distortion of the magnetic field :**  
**<= 0.5 ppm @ 10 mm @ Bo = 1.5 Tesla**

## X-ON Electronics

Largest Supplier of Electrical and Electronic Components

*Click to view similar products for [RF Connectors / Coaxial Connectors](#) category:*

*Click to view products by [Radiall](#) manufacturer:*

Other Similar products are found below :

[8915-1511-000](#) [89674-0827](#) [6001-7071-019](#) [6002-7051-003](#) [6002-7551-202](#) [6059674-1](#) [619550-1](#) [630059-000](#) [M39030/3-01N](#) [6500-7071-046](#) [6769](#) [CX050L2AQ](#) [7002-1541-010](#) [7002-1542-011](#) [7004-1512-000](#) [7009-1511-004](#) [7010-1511-000](#) [7029-1511-060](#) [7101-1541-010](#) [7101-1571-002](#) [7105-1521-002](#) [7145-1521-002](#) [7203-1571-003](#) [7209-1511-011](#) [7210-1511-015](#) [7210-1511-019](#) [73137-5015](#) [73216-2241](#) [73404-2300](#) [7405-1521-005](#) [7405-1521-802](#) [8527](#) [8547](#) [FS11V](#) [877931](#) [8808-1511-001](#) [9074-9513-000](#) [9101-9573-002](#) [910A205F](#) [9130-9573-002](#) [PL11SC-026](#) [PL375-33](#) [PL40-5](#) [PL74C-221](#) [PL75MC-217](#) [PL803-7](#) [1200690078](#) [1-201144-1](#) [R107003010W](#) [R110A172100](#)