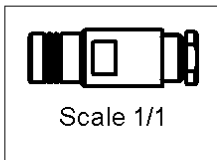
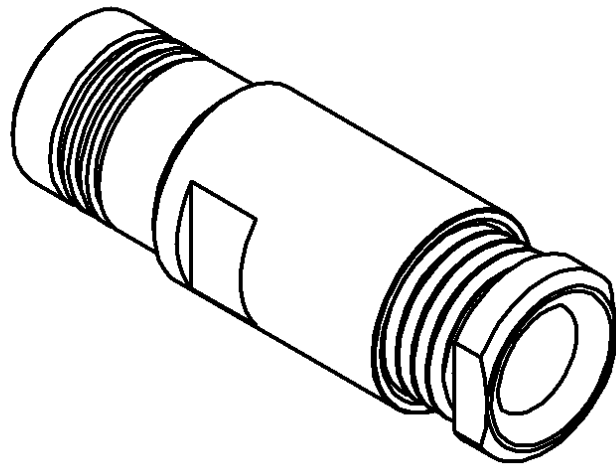
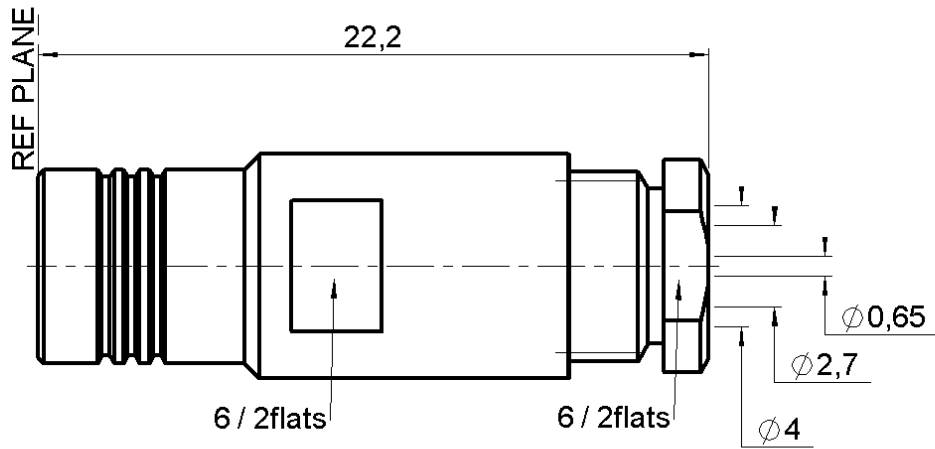


STRAIGHT PLUG CLAMP TYPE

R114.009.000

CABLE 3.8/95 S

Series : SMB



All dimensions are in mm.



| COMPONENTS | MATERIALS | PLATINGS (µm) |
|----------------|------------------|------------------------|
| BODY | BRASS | GOLD 0.2 OVER NICKEL 2 |
| CENTER CONTACT | BERYLLIUM COPPER | GOLD 1.3 OVER NICKEL 2 |
| OUTER CONTACT | BERYLLIUM COPPER | GOLD 0.5 OVER NICKEL 2 |
| INSULATOR | PTFE | |
| GASKET | - | |
| OTHERS PARTS | BRASS | GOLD 0.2 OVER NICKEL 2 |
| - | - | - |
| - | - | - |

Issue : 0215 V

In the effort to improve our products, we reserve the right to make changes judged to be necessary.



STRAIGHT PLUG CLAMP TYPE**R114.009.000****CABLE 3.8/95 S**Series : **SMB****PACKAGING**

| Standard | Unit | Other |
|------------|-------------------|-------------------|
| 100 | 'W' option | Contact us |

SPECIFICATION**CABLE ASSEMBLY****ELECTRICAL CHARACTERISTICS**

| | | |
|---------------------------------|-------------|-----------------------------|
| Impedance | | 50 Ω |
| Frequency | | 0-4 GHz |
| VSWR | NA + | 0.000 x F(GHz) Maxi |
| Insertion loss | | NA √F(GHz) dB Maxi |
| RF leakage | - (| 57 - F(GHz)) dB mini |
| Voltage rating | | 335 Veff Maxi |
| Dielectric withstanding voltage | | 1000 Veff mini |
| Insulation resistance | | 1000 MΩ mini |

| Stripping | a | b | c | d | e | f |
|-----------|------|------|------|------|------|------|
| mm | 2.50 | 1.20 | 4.50 | 4.50 | 0.00 | 0.00 |

Assembly instruction :

Recommended cable(s)

RG 180 BU

RG 195 AU

Cable retention

- pull off

150 N mini

- torque

NA N.cm**MECHANICAL CHARACTERISTICS**

| | | |
|----------------------------|--|---------------------|
| Center contact retention | | |
| Axial force – Mating end | | 10 N mini |
| Axial force – Opposite end | | 10 N mini |
| Torque | | NA N.cm mini |

TOOLING

| Part Number | Description | Hexagon |
|-------------|-------------|---------|
| . | . | . |

OTHERS CHARACTERISTICS

| | | |
|--------------------|--|-----------------|
| Recommended torque | | |
| Mating | | NA N.cm |
| Panel nut | | NA N.cm |
| Clamp nut | | 150 N.cm |
| A/F clamp nut | | 6.000 mm |

| | | |
|-------------|--|------------------------|
| Mating life | | 500 Cycles mini |
| Weight | | 3.811 g |

ENVIRONMENTAL

| | | |
|-----------------------|--|----------------------------------|
| Operating temperature | | -65/+165 °C |
| Hermetic seal | | NA Atm.cm ³ /s |
| Panel leakage | | NA |

Issue : **0215 V**

In the effort to improve our products, we reserve the right to make changes judged to be necessary.

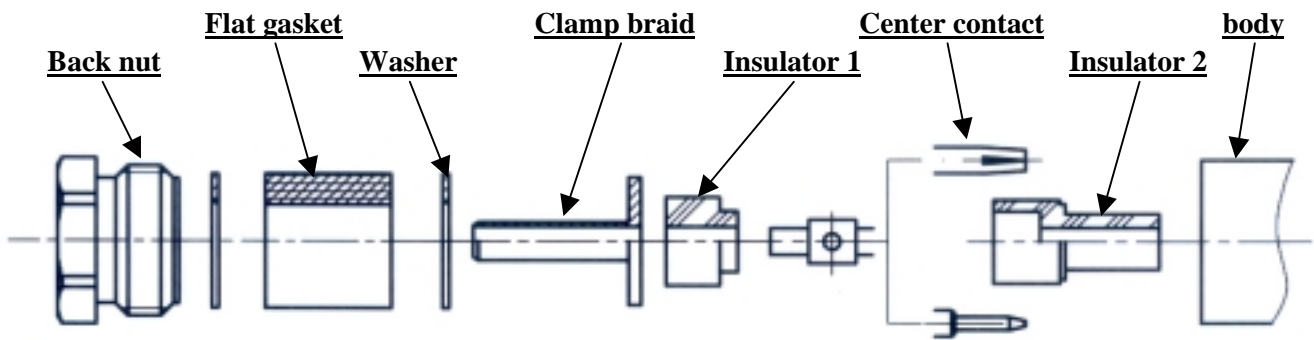


STRAIGHT PLUG CLAMP TYPE

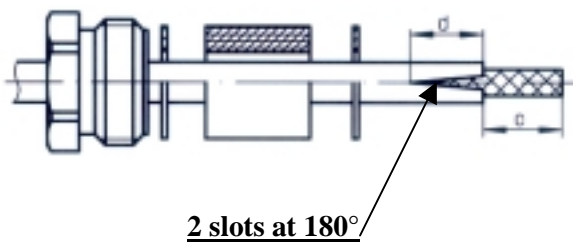
CABLE 3.8/95 S

R114.009.000

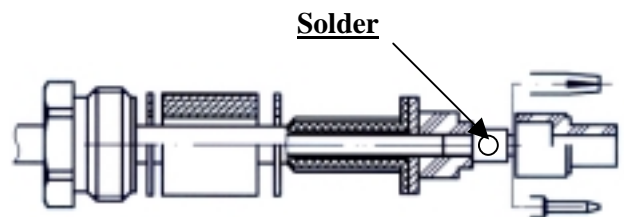
Series : SMB

**1**

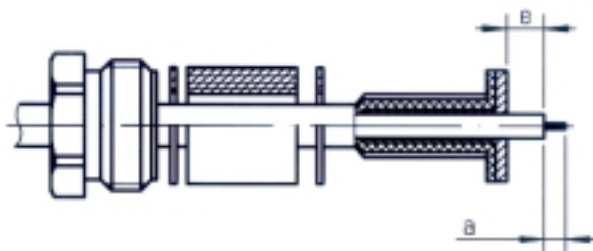
Slide the back nut, the first washer, the flat gasket, the second washer onto the cable.
Strip the cable.
Cut 2 slots in the jacket if necessary.

**3**

Slide the first insulator.
Slide the center contact and solder.
Slide the second insulator

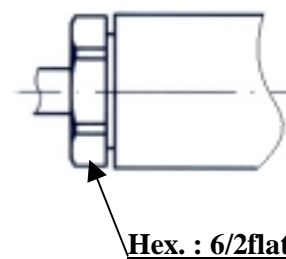
**2**

Slide the clamp braid sleeve.
Cut the braid flush with the clamp braid sleeve.
Strip off the diélectric.

**4**

Screw sub-assembly into the connector body with the adapted wrench.

Recommended coupling torque (see connector TDS).



Issue : 0215 V

In the effort to improve our products, we reserve the right to make changes judged to be necessary.



X-ON Electronics

Largest Supplier of Electrical and Electronic Components

Click to view similar products for [RF Adapters - In Series](#) category:

Click to view products by [Radiall](#) manufacturer:

Other Similar products are found below :

[5916-1103-603](#) [5919-1503-000](#) [651A505](#) [82-5552](#) [9030-9523-502](#) [PN2C](#) [A0407000](#) [R114703000W](#) [R125771001](#) [R141710000W](#)
[R141723161](#) [R141730000](#) [R143730700](#) [R143770000](#) [R161703000W](#) [R161753000W](#) [R161791530W](#) [R201705000](#) [R222705200](#)
[R222M40010W](#) [R223703180](#) [R316754000](#) [R405006000](#) [R443162000](#) [AD78TL](#) [HRM-513S](#) [1996352-2](#) [2157155-1](#) [252169-75](#) [AD158](#)
[2101130-1](#) [252186](#) [R114704000W](#) [R114720000W](#) [R125705001](#) [R125705701](#) [R125771000](#) [R125771001W](#) [R127704001](#) [R127.870.001](#)
[R127872001](#) [R141717000](#) [R142710000](#) [R142723000](#) [R143703000](#) [R143704000](#) [R143705700](#) [R161715000W](#) [R161771000W](#) [R176754000](#)