

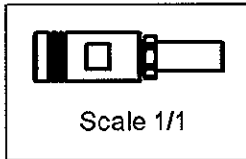
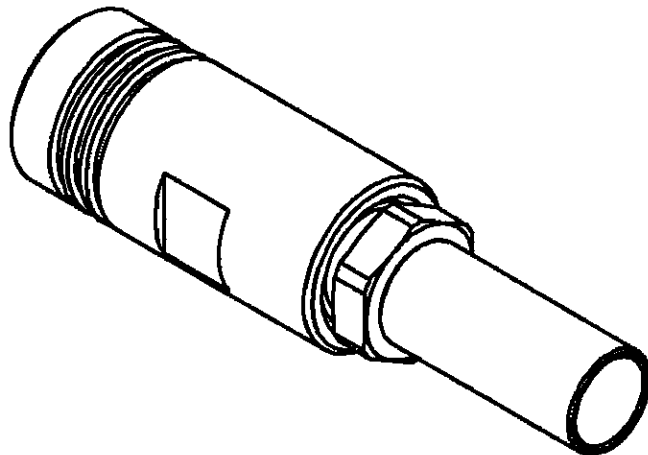
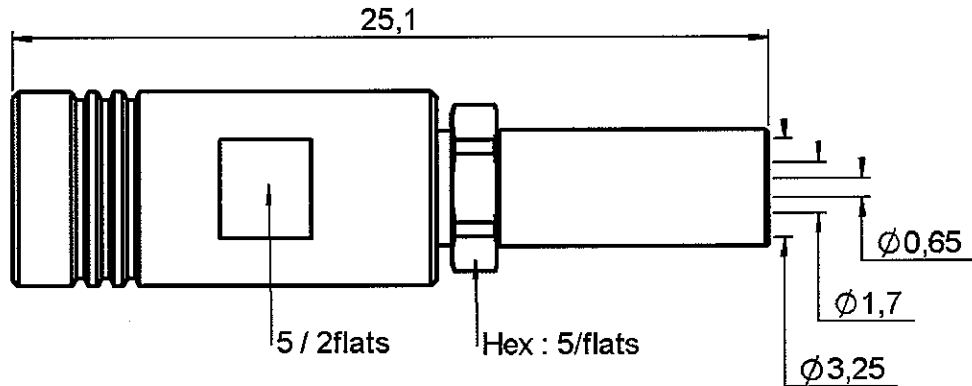
**STRAIGHT PLUG CRIMP TYPE**

**R114.075.000**

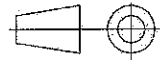
**CABLE 2.6/50+75 S**

Series : SMB

ORIGINAL



All dimensions are in mm.



COMPONENTS	MATERIALS	PLATINGS ( $\mu\text{m}$ )
BODY	BRASS	GOLD 0.2 OVER NICKEL 2
CENTER CONTACT	BERYLLIUM COPPER	GOLD 1.3 OVER NICKEL 2
OUTER CONTACT	BERYLLIUM COPPER	GOLD 0.2 OVER NICKEL 2
INSULATOR	PTFE	
GASKET	-	
OTHERS PARTS	BRASS	GOLD 0.2 OVER NICKEL 2
-	-	-
-	-	-

Issue : 0151 C

In the effort to improve our products, we reserve the right to make changes judged to be necessary.



**STRAIGHT PLUG CRIMP TYPE**

**R114.075.000**

**CABLE 2.6/50+75 S**

Series : **SMB**

**ORIGINAL**

**PACKAGING**

Standard	Unit	Other
<b>100</b>	<b>'W' option</b>	<b>Contact us</b>

**SPECIFICATION**

**ELECTRICAL CHARACTERISTICS**

Impedance		<b>50</b> Ω
Frequency		<b>0-4</b> GHz
VSWR	<b>1.25 +</b>	<b>0.040</b> x F(GHz) Maxi
Insertion loss		<b>0.25</b> √F(GHz) dB Maxi
RF leakage	<b>- (</b>	<b>57</b> - F(GHz)) dB Maxi
Voltage rating		<b>335</b> Veff Maxi
Dielectric withstanding voltage		<b>1000</b> Veff mini
Insulation resistance		<b>1000</b> MΩ mini

**CABLE ASSEMBLY**

Stripping	a	b	c	d	e	f
mm	2.20	5.40	15.5	0.00	13.3	0.00

Assembly instruction :

Recommended cable(s)  
 KX 22A  
 RG 188  
 RG 179  
 RG 187  
 RG 316

Cable retention

- pull off **110** N mini
- torque **3.2** N.cm

**MECHANICAL CHARACTERISTICS**

Center contact retention		
Axial force – Mating end	<b>10</b>	N mini
Axial force – Opposite end	<b>10</b>	N mini
Torque	<b>NA</b>	N.cm mini

**TOOLING**

Part Number	Description	Hexagon
.	.	.
<b>R282.211.000</b>	<b>CRIMPING TOOL</b>	<b>3.25</b>
<b>R282.235.003</b>	<b>CRIMPING DIES</b>	<b>3.25</b>
<b>R282.293.000</b>	<b>CRIMPING TOOL</b>	<b>-</b>

Recommended torque		
Mating	<b>NA</b>	N.cm
Panel nut	<b>NA</b>	N.cm
Clamp nut	<b>70</b>	N.cm
A/F clamp nut	<b>5.000</b>	mm

Mating life	<b>500</b>	Cycles mini
Weight	<b>3.300</b>	g

**OTHERS CHARACTERISTICS**

**ENVIRONMENTAL**

Operating temperature	<b>-65/+165</b>	°C
Hermetic seal	<b>NA</b>	Atm.cm3/s
Panel leakage	<b>NA</b>	

Issue : **0151 C**

In the effort to improve our products, we reserve the right to make changes judged to be necessary.



**RADIALL**®

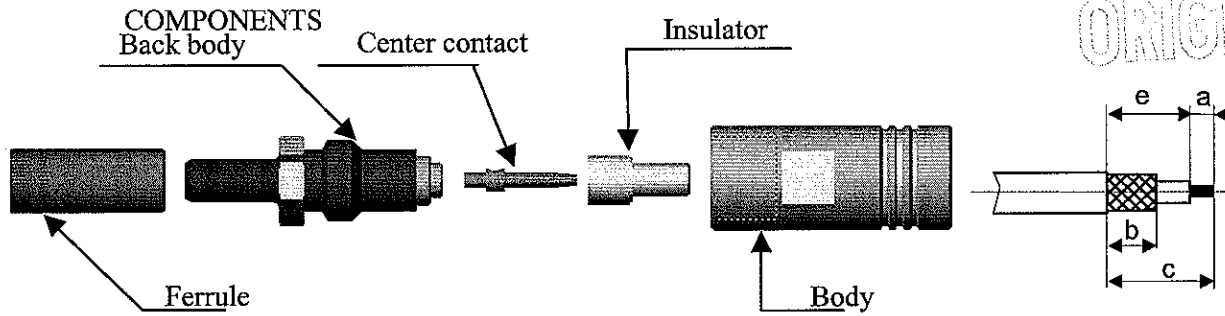
**STRAIGHT PLUG CRIMP TYPE**

**CABLE 2.6/50+75 S**

**R114.075.000**

Series : SMB

ORIGINAL



**1**

Slide the heatshrink onto the cable (in option).  
Slide the ferrule onto the cable.  
If solder : the hole in front.  
If crimping : the hole in back.  
Strip the cable.

**4**

Mount the center contact inner conductor.  
Solder or crimping the contact with crimping tool ( see connector TDS ).  
Mount the front insulator.

**2**

Fan the braid.  
Mount the cable in the back body.

**E**

Mount the sub-assembly into the connector and screw the body  
Recommended couplina toraue : 170N cm.

**3**

Slide ferrule over the braid.  
Crimp the ferrule with crimping tool ( see connecteur TDS ).

**€**

Place and shrink the heatshrink between 135° to 250° at back to body (option).

Issue : 0151 C

In the effort to improve our products, we reserve the right to make changes judged to be necessary.



## X-ON Electronics

Largest Supplier of Electrical and Electronic Components

*Click to view similar products for [RF Connectors / Coaxial Connectors](#) category:*

*Click to view products by [Radiall](#) manufacturer:*

Other Similar products are found below :

[8915-1511-000](#) [89674-0827](#) [6001-7071-019](#) [6002-7051-003](#) [6002-7551-202](#) [6059674-1](#) [619550-1](#) [630059-000](#) [M39030/3-01N](#) [6500-7071-046](#) [6769](#) [CX050L2AQ](#) [7002-1541-010](#) [7002-1542-011](#) [7004-1512-000](#) [7009-1511-004](#) [7010-1511-000](#) [7029-1511-060](#) [7101-1541-010](#) [7101-1571-002](#) [7145-1521-002](#) [7203-1571-003](#) [7209-1511-011](#) [7210-1511-015](#) [7210-1511-019](#) [73137-5015](#) [73216-2241](#) [73404-2300](#) [7405-1521-005](#) [7405-1521-802](#) [8527](#) [8547](#) [FS11V](#) [877931](#) [8808-1511-001](#) [9049-9513-000](#) [9074-9513-000](#) [9101-9573-002](#) [910A205F](#) [9130-9573-002](#) [PL11SC-026](#) [PL375-33](#) [PL40-5](#) [PL74C-221](#) [PL75MC-217](#) [PL803-7](#) [980-8666-005](#) [1200690078](#) [1-201144-1](#) [R107003010W](#)